

SAVE THESE INSTRUCTIONS

DEALER/INSTALLER: GIVE TO HOMEOWNER

**CONFER IN-GROUND
CURVE STEP / IN-GROUND
CURVE STEP SYSTEM**

ASSEMBLY AND INSTALLATION MANUAL



Model CCX-IG

Note: 40 lbs. of sand required!



Model CCX-IG System

Note: 70 lbs. of sand required!



Made in the U.S.A. by

CONFER
plastics inc.

www.conferladders.com

Model# CCX-IG - CURVE IN-GROUND POOL STEP

ASSEMBLY INSTRUCTIONS - PLEASE READ BEFORE ATTEMPTING ASSEMBLY

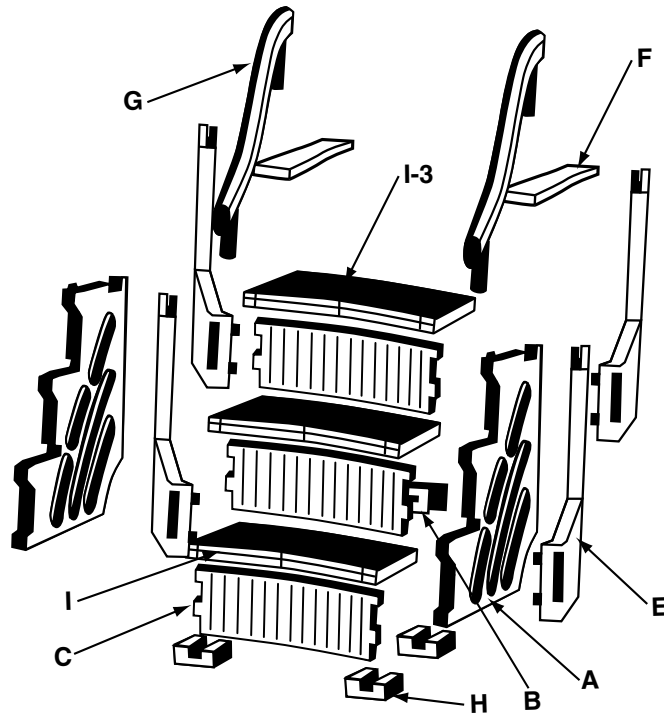
Parts List

- 2 - Side panels [part A]
- 1 - Panel brace [part B]
- 4 - Curved risers [part C]
- 4 - Handrail posts [part E]
- 2 - Deck connectors [part F]
- 2 - Handrails [part G]
- 4 - Foot pads [part H]
- 2 - Treads [part I]
- 1 - Top tread [part I-3]

Hardware Pack

- 2 - Plugs [WG]
- 8 - #10 x 1-1/4" screws
- 2 - Labels-No Jumping/Diving

Hardware not provided to fasten step to concrete. Purchase locally.



Needed for Assembly

- Rubber mallet
- Funnel
- Cordless Drill
- Phillips screwdriver
- Liquid soap or lubricant
- Sand - 40 lbs. for (Curve Step)
- 70 lbs. for (Curve System)

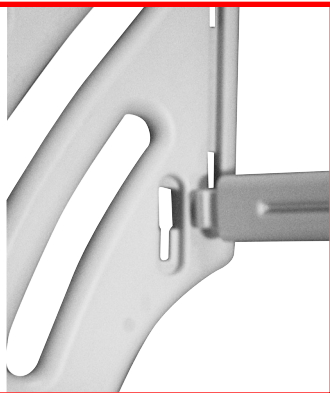
If missing parts call - Toll free U.S. - 800-635-3213 or www.Conferplastics.com

Confer Plastics "CURVE" In-Ground Pool Step must be assembled with the treads and risers curved inward

The CURVE Step requires 40 lbs. of sand to complete assembly. The Curve Step with optional add-on requires a total of 70 lbs. of sand. Choose a location close to the swimming pool for assembly.

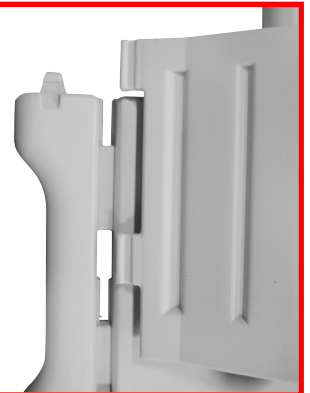
Step 1

Stand up both side panels [A]. Insert panel brace [B] into opening located on [A] then push down to lock in place.



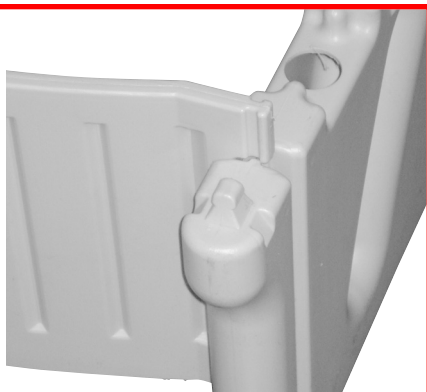
Step 2

With the thin edge of the curved riser [C] facing downward align the lower tabs with the openings on part [A] and push in. **Note risers must be curved inward.**



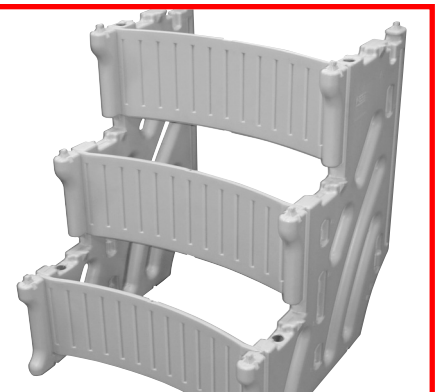
Step 3

While holding lower tabs in part [A] align the top tabs then tap down with a rubber mallet until flush.



Step 4

Install the rest of the curved risers [C] by flexing the side panels [A] outward enough to insert part [C] tabs into part [A]. Tap into place with rubber mallet.



Step 5

Tilt the step backwards to expose all four of the rounded tabs on the bottom edges.

Rotate 90°



Step 6

Installing the Foot Pads [H]:
If swimming pool has a flat bottom, all four foot pads [H] will be installed with the #1 facing up. If swimming pool has a slight taper towards the center, the back foot pads will be installed with #1 facing up and the front foot pads with #2 facing up.



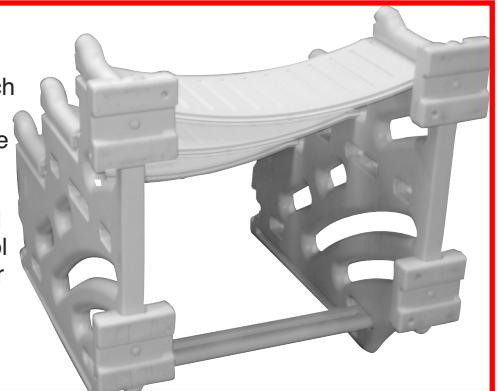
Step 7

The two back foot pads [H] will always be installed with #1 facing up. Place part [H] over the rounded tab, strike with a rubber mallet until seated onto the rounded tab. Repeat to install second part [H].



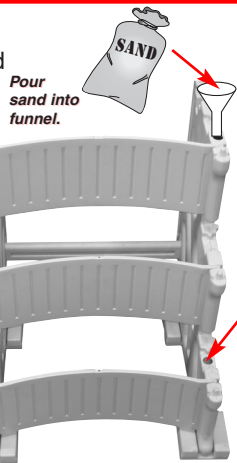
Step 8

Determine which side will be facing up on the front foot pads [H], # 1 for a flat bottom pool or # 2 for a pool with slight taper towards the center, install both parts [H].



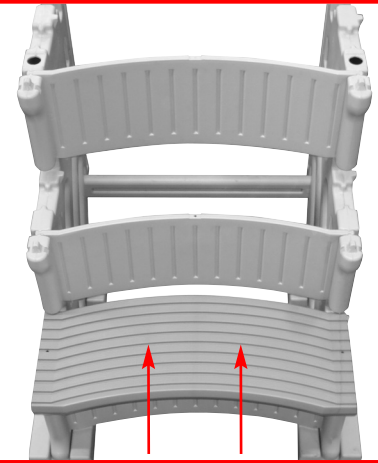
Step 9

Each side panel [A] requires 20 lbs of sand split between the two fill holes. Sand is needed as ballast to hold step down in the water. Using a funnel fill the lower hole completely to the top with sand. Shake the panel to help settle the sand, lower hole must be completely filled. Pour what's left from the 20 lbs into the upper fill hole. Using provided cap, plug the lower fill hole only. Upper fill hole must remain open. Repeat procedure to fill the second part [A].



Step 10

Install the first tread [I] by placing over the tabs on the side panels as shown. While holding part [I] down on the side panels tap inward with a rubber mallet until locked in place.

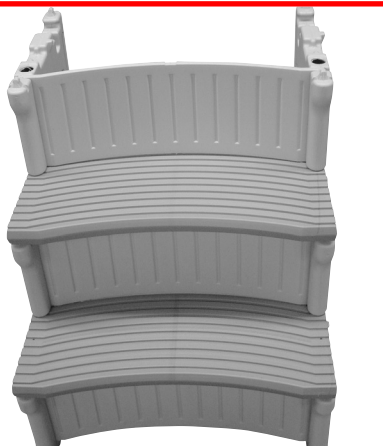


IF YOU HAVE THE CONFER CURVE STEP WITHOUT THE ADD-ON CONTINUE WITH STEP 10.

IF YOU HAVE THE CONFER CURVE STEP WITH OPTIONAL ADD-ON SKIP STEPS 10-18 AND CONTINUE WITH STEP 19.

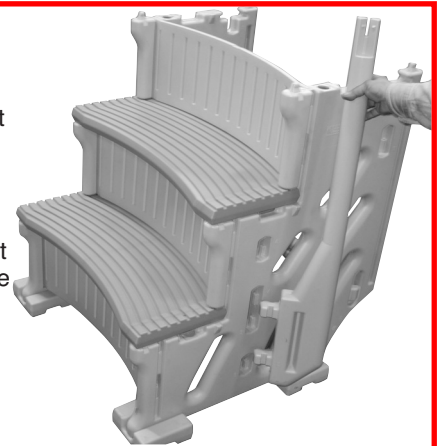
Step 11

Repeat step 10 to install second tread [I].



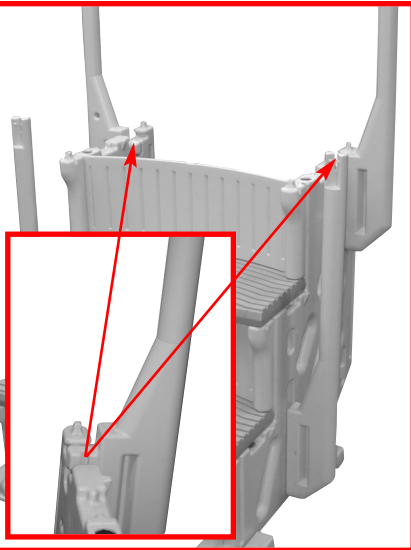
Step 12

To install the lower handrail posts [E] first locate the openings on part [A] just below the second tread marked with #3. Next insert the tabs on part [E] all the way into the openings then tap down with a rubber mallet until seated. Repeat to install the other part [E].



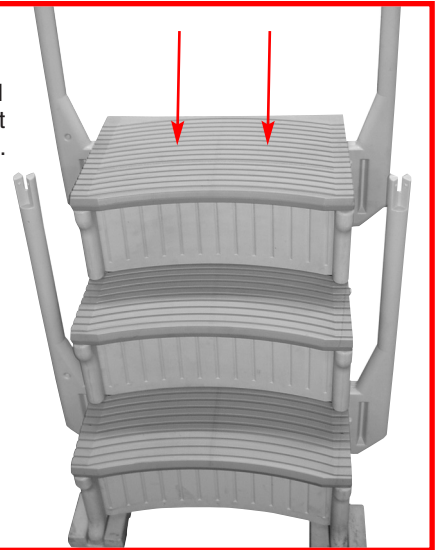
Step 13

To install the upper handrail posts [E] first locate the openings on panel [A] marked with #3. Next insert the tabs on part [E] all the way into the openings then tap down with a rubber mallet until seated. Repeat to install the other part [E].



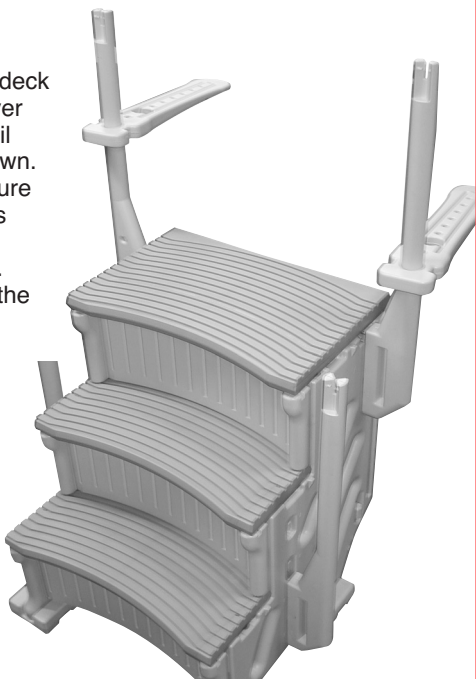
Step 14

The top tread [I-3] will install slightly different than the previous two. Install this tread by placing over the four tabs located on side panels [A]. Using a rubber mallet strike the top of the tread directly over the tabs until seated.



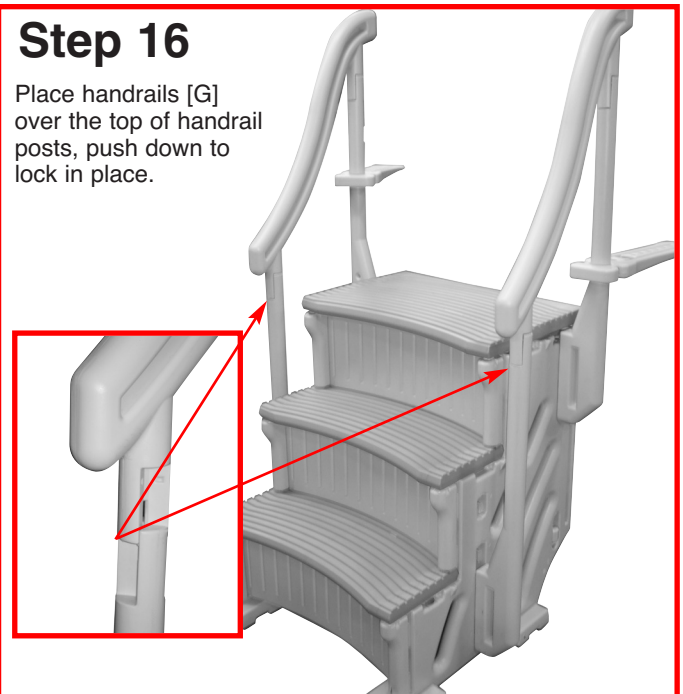
Step 15

Place one of the deck connectors [F] over the upper handrail post and slide down. Check to make sure side marked [This Side down] is facing downward. Repeat to install the second part [F].



Step 16

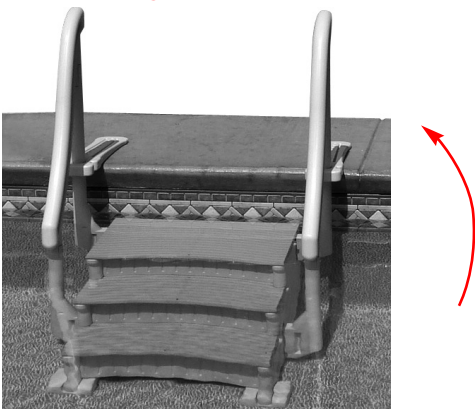
Place handrails [G] over the top of handrail posts, push down to lock in place.



Step 17

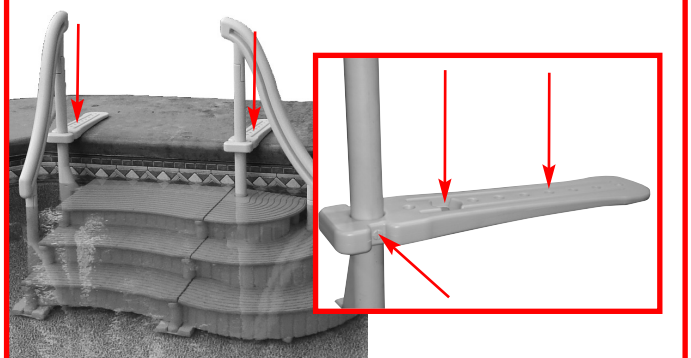
With a helper place the pool step into swimming pool. Hold the step under water at a slight angle until all the air bubbles stop. Tilt the step in the other direction until all the air bubbles stop. Be patient this process will take a few minutes.

If the pool step is still floating all of the air is not out. Lean step to the side again until air bubbles stop.



Step 18

With the step in place and positioned about 1 inch away from inside of pool wall [back of step must not touch pool liner] extend the two deck connectors onto the pool deck and attach to the handrail posts using 2- #10 x 1-1/4" screws through the deck connectors and into the posts. If you have a wood deck attach the deck connectors to the pool deck using 2-#10 x 1-1/4" screws in each connector. If your pool deck is concrete consult with your local hardware store for the proper anchors and screws.

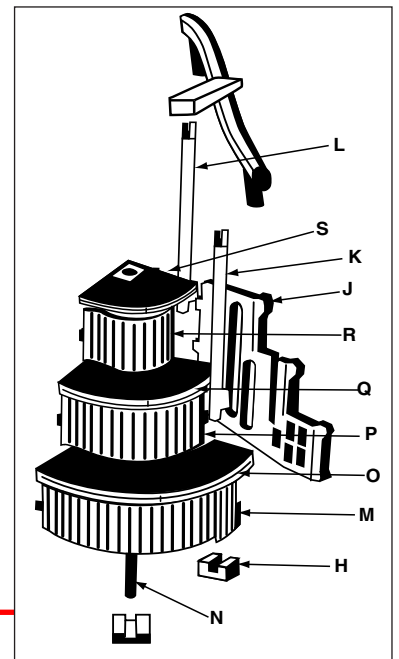


CONFER CURVE STEP ADD-ON INSTRUCTIONS

The curve add-on can only be installed on the right side of the step as you are facing it. The add-on requires an additional 30 lbs. of sand.

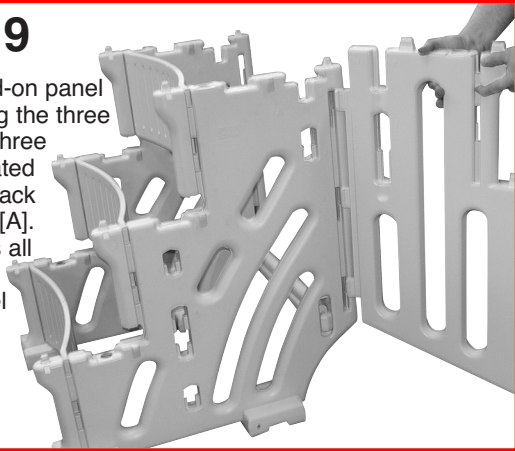
Additional Parts for Step Add-On

- | | |
|----------------------------------|---|
| 2 - Foot pads [Part H] | 1 - Medium flex riser [Part P] |
| 1 - Add-on panel [Part J] | 1 - Medium curved tread [Part Q] |
| 1 - Short handrail post [Part K] | 1 - Small flex riser [Part R] |
| 1 - Long handrail post [Part L] | 1 - Small curved tread [Part S] |
| 1 - Large flex riser [Part M] | 1 - Plug [WG] (installed in add-on panel) |
| 1 - Tread support [Part N] | |
| 1 - Large curved tread [Part O] | |



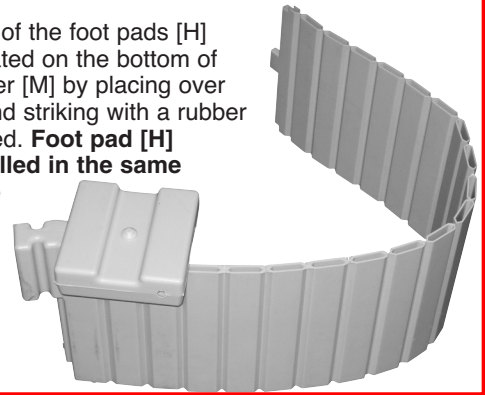
Step 19

Install the add-on panel [J] by inserting the three tabs into the three openings located towards the back of step panel [A]. Push the tabs all the way in, then tap panel down with a rubber mallet until seated in openings.



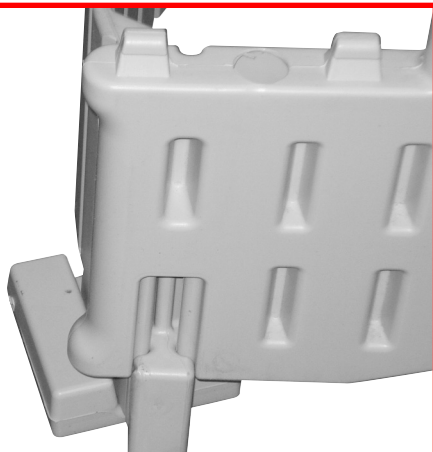
Step 20

Next, install one of the foot pads [H] onto the tab located on the bottom of the large flex riser [M] by placing over the raised tab and striking with a rubber mallet until seated. **Foot pad [H] should be installed in the same direction as the front foot pads on base step.** [Refer to steps 7 & 8].



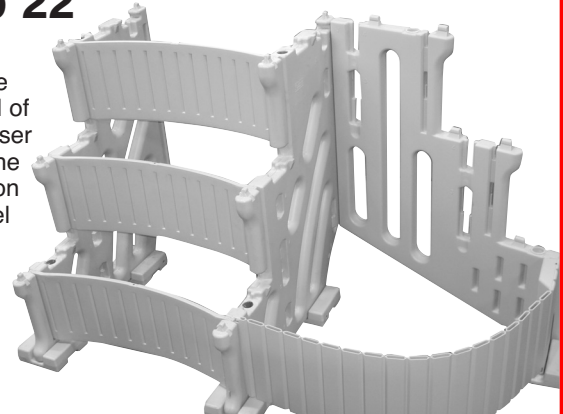
Step 21

Tilt the step back far enough to slide the end of large flex riser [M] up into the slot located on the front bottom edge of the add-on side panel.



Step 22

Insert the tab on the other end of the flex riser [M] into the opening on side panel [A].



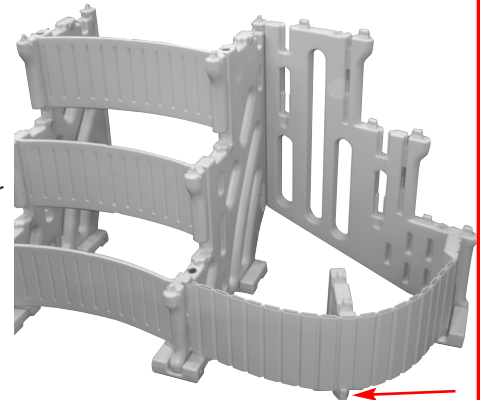
Step 23

Attach the last foot pad [H] on to the bottom of the tread support [N] by placing over the raised tab and striking with a rubber mallet until seated. **Foot pad [H] should be installed in the same position as the front foot pads on base step.**



Step 24

Locate the notch on the bottom edge of the large flex riser [M]. Slide the step support [N] under then rotate up making sure part is in notch.

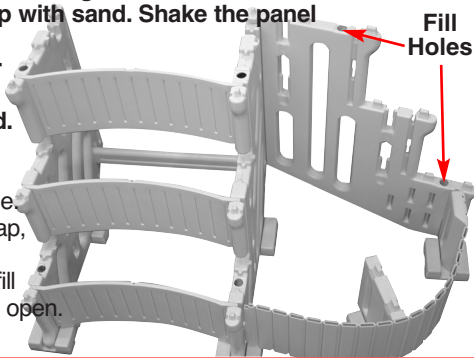


CONFER CURVE STEP ADD-ON INSTRUCTIONS (Cont'd.)

Step 25

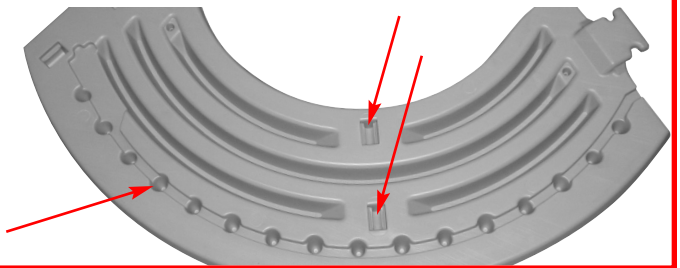
At this time add 30 lbs of sand through the two fill holes located on the add-on panel.

Using a funnel fill the lower hole completely to the top with sand. Shake the panel to help settle the sand. Lower hole must be completely filled. Pour what's left from the 30 lbs, into the upper hole. Using provided cap, plug the lower fill hole only. Upper fill hole must remain open.



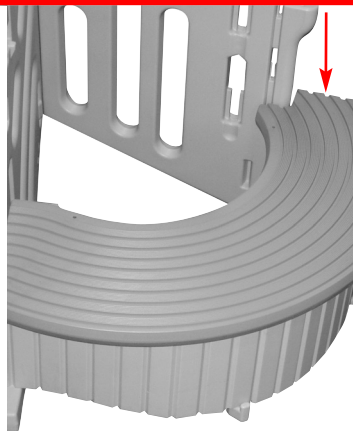
Step 26

The next step will require an extra set of hands to help align the large flex riser [M] and the tread support [N] into the groove and the openings located on the bottom side of the large curved tread [O].



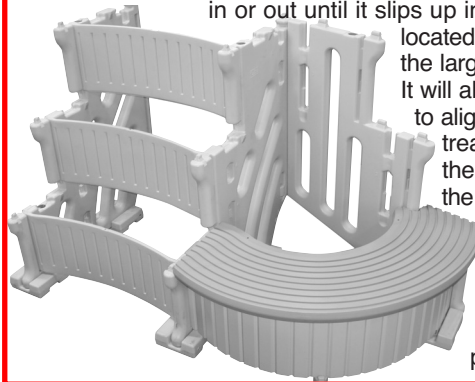
Step 27

It will be easier to start from the add-on panel side and work towards the base step. Start by placing the large curved tread in approximate position over the panels and flex riser. Next align the tabs on the add-on panel with the openings on the bottom side of large curved tread. Lock the tread down by striking top of tread directly over the tabs with rubber mallet.



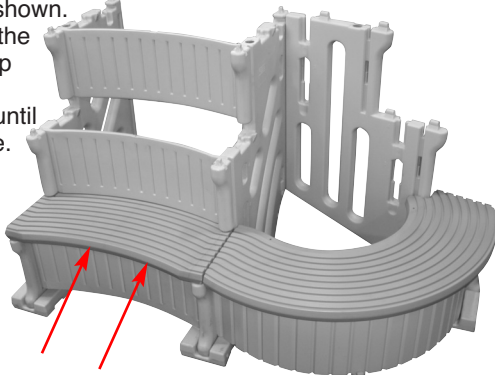
Step 28

Position the other end of the tread over side panel [A]. Move the large flex riser [M] in or out until it slips up into the groove located on the bottom of the large curved tread [O]. It will also be necessary to align the tabs on the tread support [N] with the two openings on the bottom of the large curved tread. Once everything is in position tap down on the large tread to lock onto panel [A].



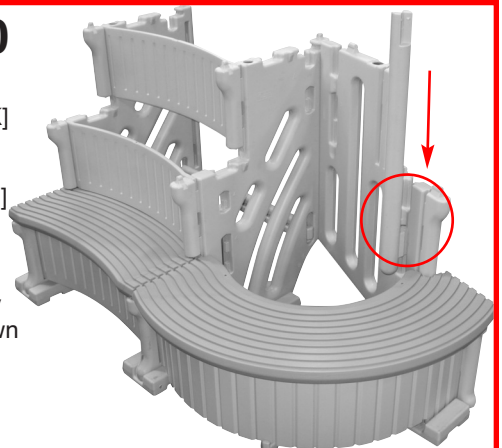
Step 29

Install the first tread [I] onto the base step by placing over the tabs on the side panels [A] as shown. While holding the tread down, tap inward with a rubber mallet until locked in place.



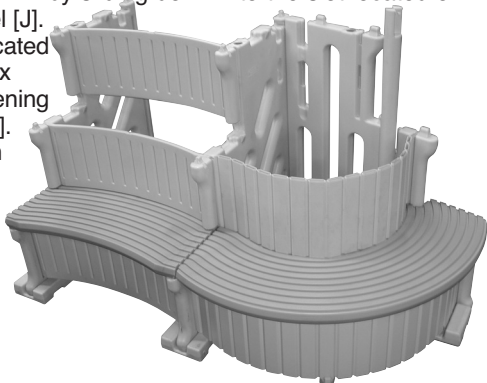
Step 30

Install the short handrail post [K] into the lower opening on the add-on panel [J] marked with #3 next to it. Push the tab on the post all the way in; then tap down to lock in place.



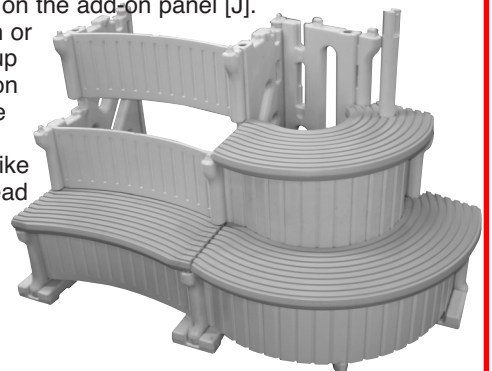
Step 31

Next, install the medium flex riser [P] by sliding down into the slot located on the add-on panel [J]. Insert the tab located on the end of flex riser into the opening on side panel [A]. Riser will rest on the top back of tread below.



Step 32

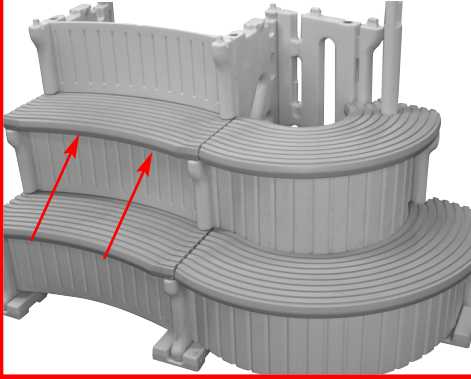
Place the medium curved tread [Q] over the short handrail post and down on to the tabs located on the add-on panel [J]. Move the riser in or out until it slips up into the groove on the bottom of the tread, using a rubber mallet strike the top of the tread until locked onto tabs.



CONFER CURVE STEP ADD-ON INSTRUCTIONS (Cont'd.)

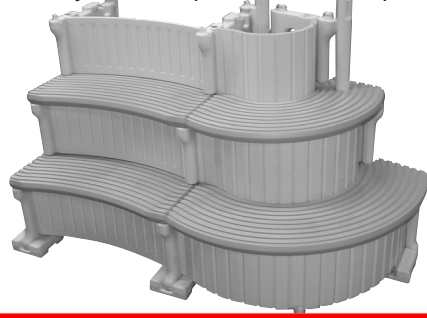
Step 33

Install the second tread [I] onto the base step



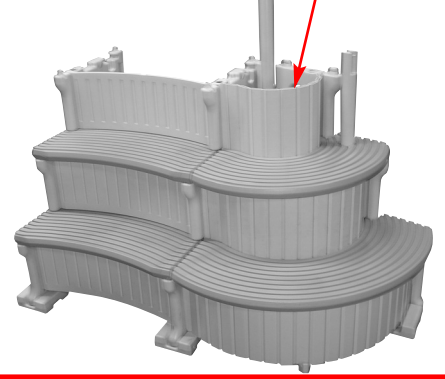
Step 34

Install the long handrail post [L] into the opening on the add-on panel [J] marked with #3 next to it. Push the tab all the way in then tap down to lock in place.



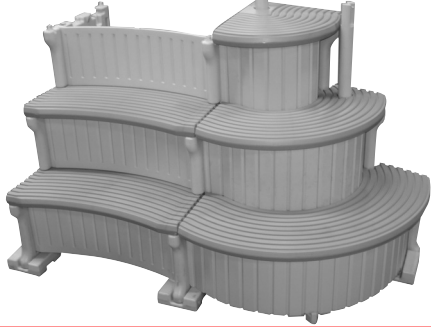
Step 35

Install the small flex riser [R]



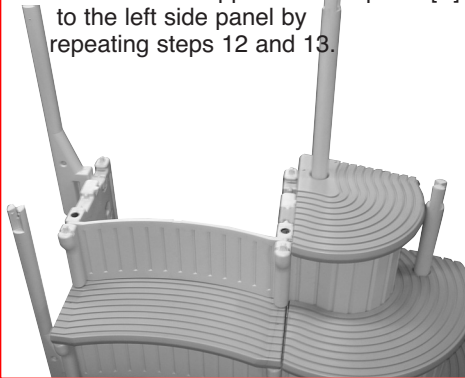
Step 36

Place the small curved tread [S] over the handrail post and attach the same as in step 32.



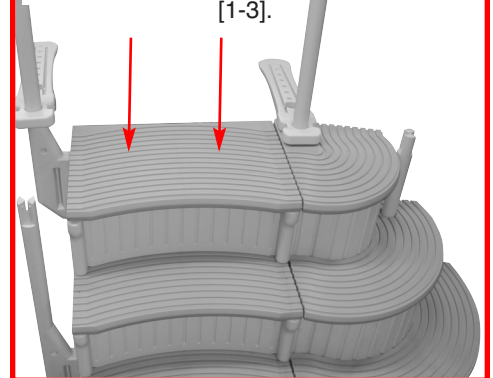
Step 37

Install the lower and upper handrail posts [E] to the left side panel by repeating steps 12 and 13.



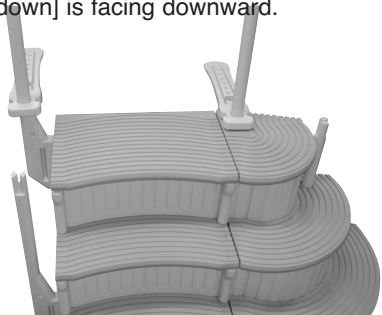
Step 38

Repeat step 14 to install the top tread [1-3].



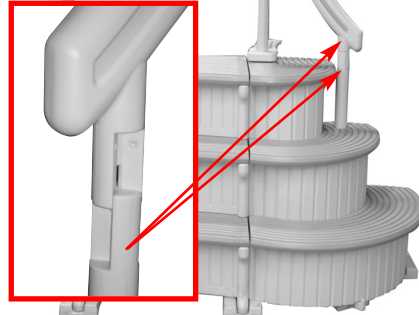
Step 39

Place both deck connectors [F] over the upper handrail posts and slide down. Check to make sure the side marked [this side down] is facing downward.



Step 40

Place handrails [G] over the top of handrail posts and push down to lock in place.



TO PLACE STEP IN POOL FOLLOW STEPS 17 AND 18.

Safety Information

- 1) Always follow the manufacturer's recommendations for the safe use of all hand tools and equipment.
- 2) **Do not** use the Confer Curve Step for any purpose other than that for which it is intended.
- 3) When lifting awkward or heavy loads, have another person help you.
- 4) Maximum weight on steps **not** to exceed **400 lbs.**
- 5) **WARNING:** Exceeding the recommended weight restriction may cause the unit to fail.
- 6) Consult your local building department before installation of your pool and equipment.

TO WINTERIZE YOUR POOL

We suggest removing your Confer Curve Step from the pool for the off-season months.

If your Confer Curve Step is attached to a deck: Two people are required for this operation and it is best to remove the unit while the water is still warm enough so that one person can get into the pool. Disconnect the mounting brackets from the deck. The person in the water can lift the unit up while the person on the deck helps to pull and guide the unit onto the deck. After the unit is on the deck, and the water has drained out of the steps, lay the unit on it's back side so that most of the water drains from the side panels.

If getting into the water is not an option the unit can be removed by both people standing on the deck and lifting and tilting the unit to drain some of the water from the steps. After the unit is light enough carefully lift it from the pool.

CAUTION: POOL STEP WILL BE HEAVY, PLEASE HAVE ADDITIONAL HELP WHEN REMOVING FROM SWIMMING POOL. DO NOT ATTEMPT TO REMOVE STEP BY YOURSELF.

The Confer Curve Step can be covered, if desired, and stored outdoors.

CONFER PLASTICS, INC. FIVE YEAR WARRANTY

Confer Plastics, Inc. warrants their swimming pool ladders and steps to be free from defects in workmanship for five years from date of purchase.

DO NOT RETURN DEFECTIVE PART TO DEALER

E-MAIL CONFER PLASTICS AT: LADDERS@CONFERPLASTICS.COM
A PICTURE [S] OF DEFECTIVE PART, A BRIEF DESCRIPTION OF PROBLEM,
PROOF OF PURCHASE AND YOUR CONTACT INFORMATION.

INFORMATION MAY ALSO BE FAXED TO CONFER PLASTICS AT: **716-694-3102**
OR MAILED TO THE ADDRESS BELOW. UPON REVIEW OF THE INFORMATION YOU
WILL BE NOTIFIED IF PART IS COVERED UNDER THE WARRANTY AND
THE SHIPPING/HANDLING CHARGES.

This warranty gives you specific legal rights, and you may also have other rights which may vary from state to state.

Confer Plastics, Inc.
97 Witmer Road
North Tonawanda, N.Y. 14120-2421

MADE IN THE U.S.A. by:



CONFER
plastics inc.

Printed in U.S.A.

97 Witmer Road
North Tonawanda, New York 14120-2421
Toll Free U.S. 800-635-3213
FAX 716-694-3102
www.conferladders.com