

SAVE THESE INSTRUCTIONS

DEALER/INSTALLER: GIVE TO HOMEOWNER

MODEL PES-G GATE ASSEMBLY

Can be used on Pool Entry System, SIG System and STEP Enclosure Kit

ASSEMBLY AND INSTALLATION MANUAL



NEW!!



Now with
Automatic Gate Closer!



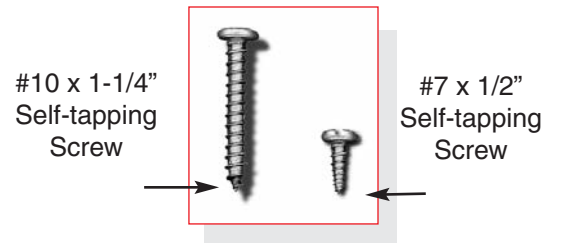
WARNING: GATE MUST BE PADLOCKED WHEN NOT IN USE.

CONFER PLASTICS, INC.

POOL ENTRY SYSTEM GATE ASSEMBLY

MODEL # PES-G

BILL OF MATERIALS		
Parts List	Required	Part #
Gate	1	6-Gate-01
Hinge Mounting Post	1	6-Gate-02
Latch Mounting Post	1	6-Gate-03
Hardware Pack	Required	Part #
#10 x 1-1/4" Screw	20	3-00-14C
#7 x 1/2" Screw	8	3-Gate-01
Padlock	1	3-00-03
Gate Latch with Latch Bar	1	3-Gate-06
Gate Closer	1	3-Gate-07

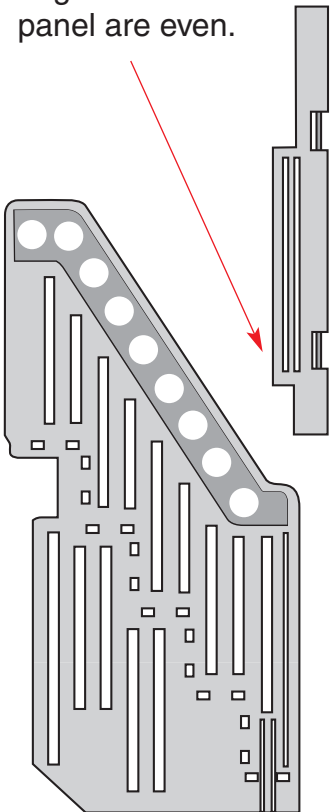


Tools Required

- Cordless Drill
- 1/16 Drill Bit
- Phillips Screwdriver Bit
- Silicone Spray or
- Spray Lubricant

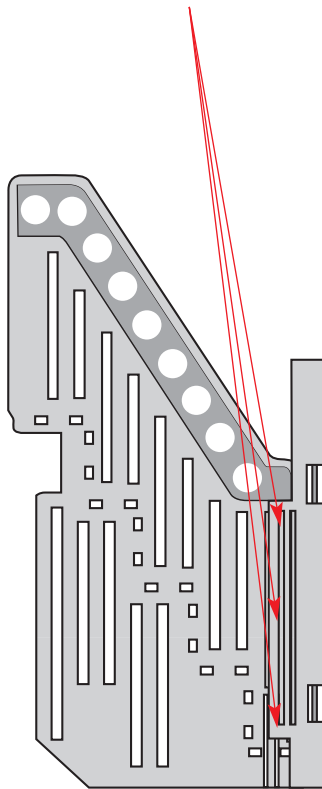
Step #1

Spread open the flange of the hinge mounting post and slide it down over the **right** side panel until the bottom edge of the hinge post and the bottom edge of the side panel are even.



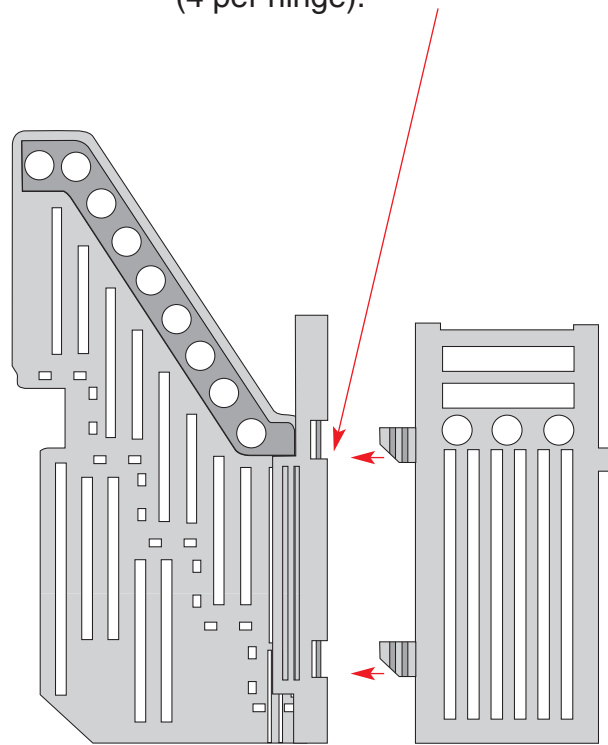
Step #2

Fasten the hinge post to the side panel using six of the #10 x 1-1/4" self-tapping screws at the pre-marked spots on each side of the hinge post (3 per side).



Step #3

Slide the open gate hinge through the hinge post pin opening and wrap the gate hinge around the hinge pin. Fasten the hinge at the four pre-marked spots using the #7 x 1/2" self-tapping screws (4 per hinge).



Step #4

Spread open the flange of the latch mounting post and slide it down over the left side panel. Slide the post up or down until the support knob closes properly into the recess on the post. Once the latch post is aligned so the gate closes properly fasten the post to the side panel using six (6) #10 x 1-1/4" screws.

Step #5

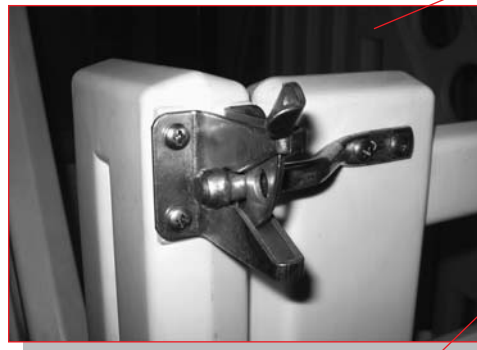
Install the latch on the mounting block located on the upper portion of the latch using four (4) #10 x 1-1/4" screws.

Step #6

Close the gate and align the latch bar by locking it into the gate latch as shown. Secure the latch bar to the gate with two (2) #10 x 1-1/4" screws.

Step #7

Install the gate closer in the indented portion provided on the hinge post. Follow the directions provided with the gate closer package. **DO NOT** use the slide plate. It is for metal/wood finish wear and will not work with our gravity hinge.



The PES-G now includes a gate closer. Mount the closer on the flat recessed area on the hinge post (see diagram to left). To adjust tension on the closer after installation see detailed instructions on closer package.

Note: Spraying the gate hinges with a silicone spray will aid in the self-closing action.

WARNING: GATE MUST BE LOCKED WHEN POOL IS NOT IN USE.

SAFETY RULES

- * Always follow the manufacturer's recommendations for the safe use of all hand tools and equipment.
- * When electrically powered hand tools and /or equipment are used outdoors, or where wet conditions are conducive to shocks, use a ground fault circuit interrupter.
- * **DO NOT** use the Confer-Gate for any purpose other than that for which it is intended.
- * When lifting awkward or heavy loads, have another person help you.
- * Always padlock gate when not in use.
- * Consult your local Building Department before installation of your pool and equipment.
- * **DANGER:** Use a cordless drill for assembly and installation. Never use an electric drill in or around the pool.

CONFER PLASTICS, INC. LIMITED, PRO-RATED WARRANTY

Confer Plastics, Inc. warrants their swimming pool ladders to be free from defects in workmanship for one year from date of purchase. After the first year the cost to replace a part is as follows:

MODEL #PES-G

2nd Year - 20%

3rd Year - 40%

4th Year - 60%

5th Year - 80%

Plus shipping/handling

} of current parts
list price

DO NOT RETURN DEFECTIVE PART TO DEALER

The defective part should be returned, postpaid, to:

Confer Plastics, Inc.

97 Witmer Road

North Tonawanda, N.Y. 14120-2421

Enclose proof-of-purchase (receipts, etc.) showing date purchased, your name, address, and daytime phone number. You will be notified of cost to replace part.

This warranty gives you specific legal rights, and you may also have other rights which may vary from state to state.

MADE IN THE U.S.A. by:



CONFER
plastics inc.

97 Witmer Road

North Tonawanda, New York 14120-2421

Toll Free U.S. 866-396-2968

716-283-1826/ FAX 716-283-3249

www.conferladders.com