



QUICKNICHE™ VINYL LINER LIGHT NICHE

INSTALLATION INSTRUCTIONS

IMPORTANT SAFETY INSTRUCTIONS
READ AND FOLLOW ALL INSTRUCTIONS
SAVE THESE INSTRUCTIONS

CONTENTS

General Information.	3
Vinyl Liner Installation Instructions	3
Technical Data 5	
A. Replacement Parts	5
Hole Placement Template	See attachment P/N 630020
CANADA ONLY - Installation Information / Junction/Deck Box Location Information	6 / 7

NOTE

- For use **ONLY** with Pentair Aquatic Systems wet niche light fixtures 783XXX, 784XXX, 789XXX, and 600XXX.
- **NOT COMPATIBLE WITH BRASS-CHROME FACE RINGS.**

DANGER



RISK OF ELECTRICAL SHOCK OR ELECTROCUTION

This niche - fixture housing must be installed by a licensed or certified electrician in accordance with the National Electrical Code and all applicable local codes and ordinances. Improper installation will create an electrical hazard which could result in death or serious injury to pool users, installers or others due to electrical shock, and may also cause damage to property. Read and follow the specific instructions below.

WARNING

Before installing this product, read and follow all warning notices and instructions accompanying this niche. Failure to follow safety warnings and instructions can result in severe injury, death, or property damage. Call (800) 831-7133 for additional free copies of these instructions.

Important Notice



Attention Installer.

This manual contains important information about the installation, operation and safe use of this product. This information should be given to the owner/operator of this equipment.

⚠ DANGER! Risk of Electrical Shock or Electrocution!

This product must be installed by a licensed or certified electrician or a qualified pool serviceman in accordance with the National Electrical Code and all applicable local codes and ordinances. Improper installation will create an electrical hazard which could result in death --- or serious injury to pool users, installers or others due to electrical shock, and may also cause damage to property. Always disconnect the power to the pool light at the circuit breaker before servicing the light. Failure to do so could result in death or serious injury to serviceman, pool users or others due to electrical shock. READ AND FOLLOW ALL INSTRUCTIONS IN THIS MANUAL.

⚠ WARNING — Important Safety Information for Pentair Aquatic Systems Niche and Light Installation

- All Niche and Light installations must conform with all codes.
- Under no circumstances replace lights by splicing wire under water or behind niche.

**⚠ WARNING — RISK OF ELECTRIC SHOCK AND INJURY.
USE ONLY THE INSTALLATION METHOD SPECIFIED BELOW.**

Important Safety Information for Fountain Fixture Installations

Location of Luminaire Use	Pentair Fountain Fixture* (P/N 560000 – P/N 560001) (P/N 560002 – P/N 560003)	Required Installation Method
Swimming Pool or Spa	Wet-Niche Swimming Pool (or Spa) Luminaire (Light)	Fixture Housing (Forming Shell) ONLY. DO NOT USE Fountain Fixture Stand.
Fountain	Wet-Niche Submersible Swimming Pool (or Spa) Luminaire (Light)	Fixture Housing (Forming Shell) or Fountain Fixture Stand.

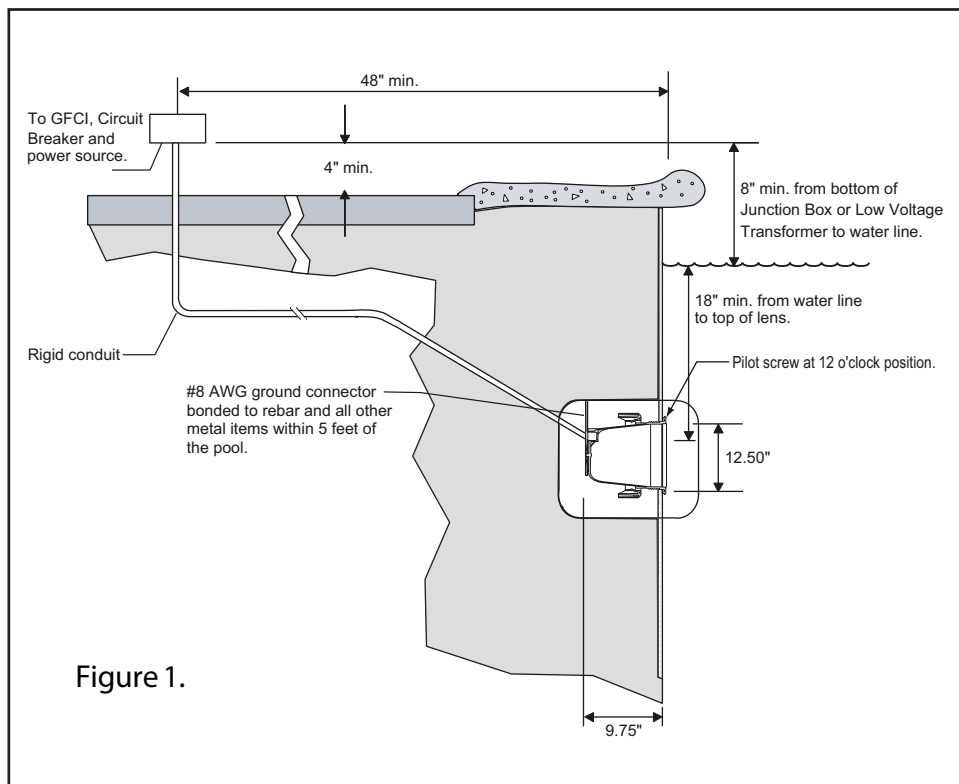
(*) Note: Wet-niche luminaires complying with requirements for both uses may bear both the Listed Wet-Niche Swimming Pool (or Spa) Luminaire UL Mark and the Listed Wet-Niche Submersible Luminaire UL Mark. A luminaire not bearing the corresponding UL Listing Mark is not considered by UL to have been produced under UL's Listing and Follow-Up Service for the associated usage location.

General Information - USA Only.

1. Ensure that the electrical system of your pool conforms with all current National Electrical Code (NEC), and all local codes and ordinances. A licensed or certified electrician must install the electrical system to meet or exceed those requirements before the Quick Niche (fixture-housing) is installed.

2. Some of the NEC requirements are as follows:

- The lighting circuit must have a Ground Fault Circuit Interrupter (GFCI), and have an appropriately rated circuit breaker.
- The junction box or the low voltage transformer shall be located at least eight (8) inches above the maximum water line and at least four (4) inches above the ground level or pool deck whichever provides the greater elevation. The junction box shall be no less than 48 inches from the inside wall of the pool, unless separated from the pool by a solid fence, wall or other permanent barrier. For more information, see NEC 680.24 code requirement. See Figure 1.
- The light fixture and all metal items within five (5) feet of the pool must be properly electrically bonded. For more information, see NEC 680.26 code requirement. See Figure 1.



⚠ DANGER

RISK OF ELECTRICAL SHOCK OR ELECTROCUTION



For proper bonding and grounding connections, use only Pentair Aquatic Systems Underwater Light Fixtures with this niche-housing. Failure to do so could create an electrical hazard which would result in death or serious injury to pool users, installers and others.

QuickNiche™ Installation Instructions for Vinyl Liner Light Niche

- A. Locate a position on the vertical surface where the niche and light is to be installed. The top of the light must be a minimum of 18 inches below the water level.
- B. Punch or cut a large hole in the panel (minimum diameter of 10-5/8 in, maximum diameter 10-3/4 in) in the desired location on the pool wall.
- C. For hole placement guide refer to the QuickNiche light niche Template, P/N 630020.
- D. Trim the hole until the niche fits correctly. The correct position of the niche is with the conduit hub at the 12 o'clock position.
- E. Apply two dabs of clear silicone. (P/N 630023, included with the niche) on the back of the flange and a single bead across the threads of the niche housing. See figure 2.
- F. While holding the niche with the conduit hub at the 12 o'clock position, thread the lock ring (P/N 630016) onto

the back of the niche until the ring is hand tight. If needed, use a rubber mallet, to fully tighten the ring, but make sure that the conduit hub remains at the 12 o'clock position.

- G. Install the vinyl liner in the pool per the vinyl liner instructions provided by the manufacturer. Fill up the pool until just below the level of the niche in order to stretch the liner.
- H. Install the seal ring (P/N 630017) using the screws provided, making sure to locate the bottom catch for the light at the 6 o'clock position (see figure 3). Tighten the screws in a cross pattern to approximately 18 inch-pounds. For reference this is as tight as you can with a normal #2 Phillips screwdriver. **DO NOT TIGHTEN WITH A MOTORIZED SCREWDRIVER.**
- I. After all screws have been tightened, cut out the liner along the inside edges of the seal ring.
- J. Connect the PVC conduit to the niche using an approved PVC cement.
- K. Bond the niche-fixture housing to all other metallic items within five (5) feet of the pool, using a No. 8 AWG wire. Bond connection is located at the rear of the niche. See NEC 680.26 code requirement.
- L. No. 8 AWG insulated ground wire must be installed through the conduit from the junction box to the bonding/grounding lug inside the niche. The connection inside the niche must be sealed with a listed sealant such as Pentair P/N 60028300 or equivalent. See NEC 680.23 code requirement.

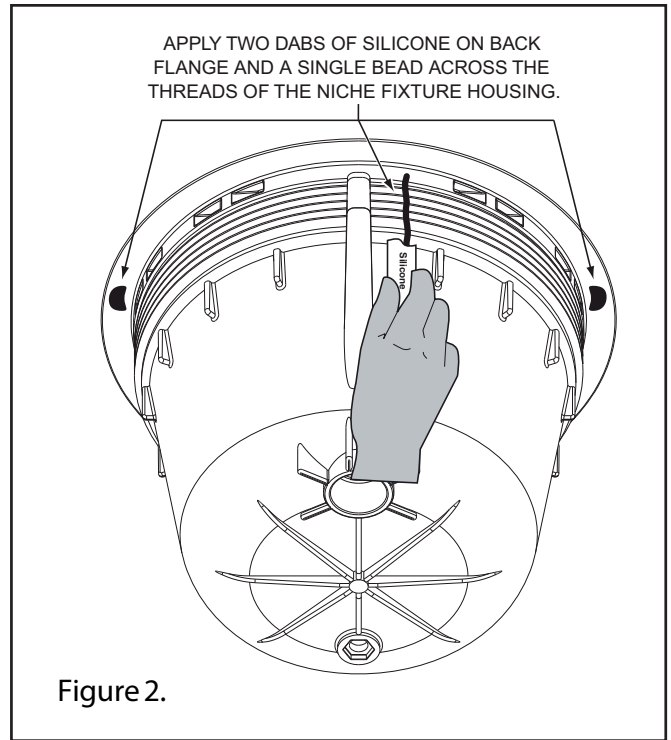


Figure 2.

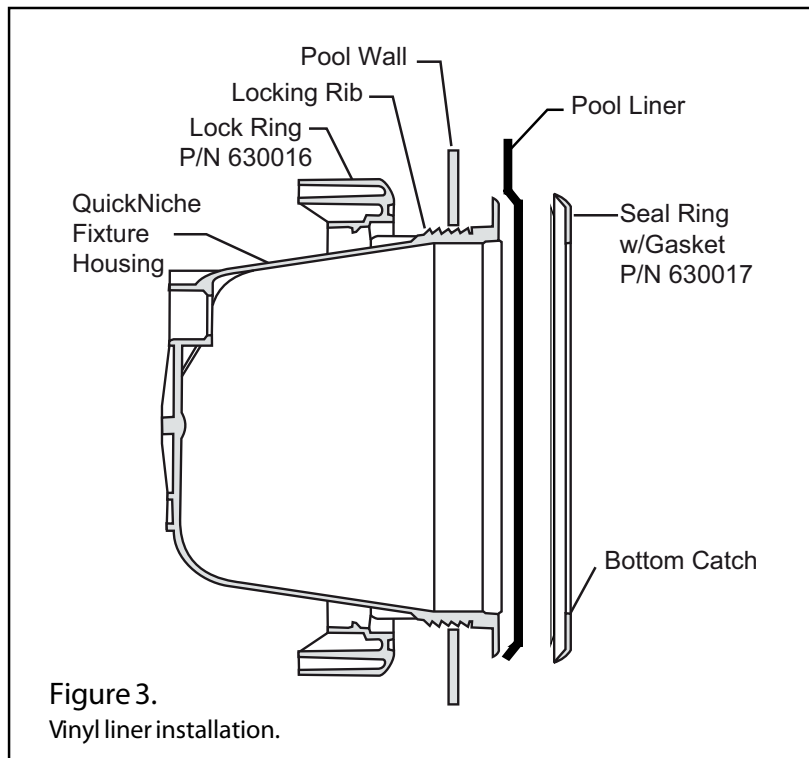
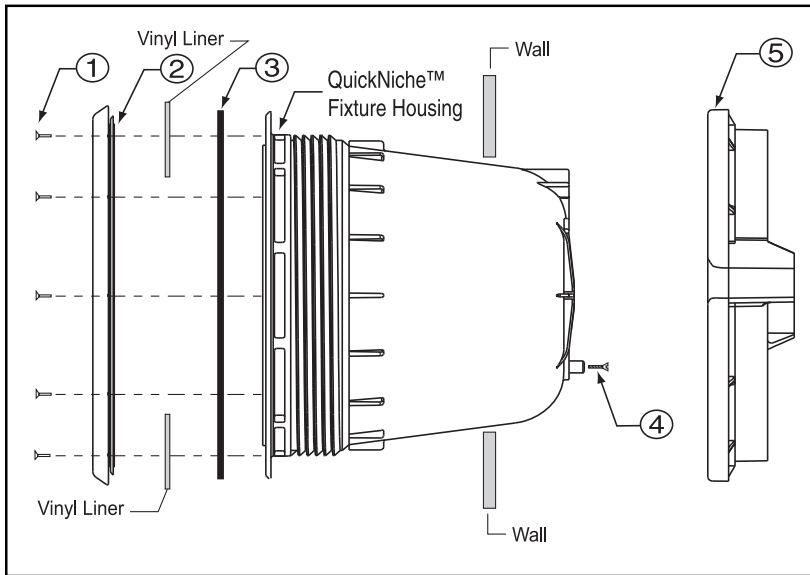


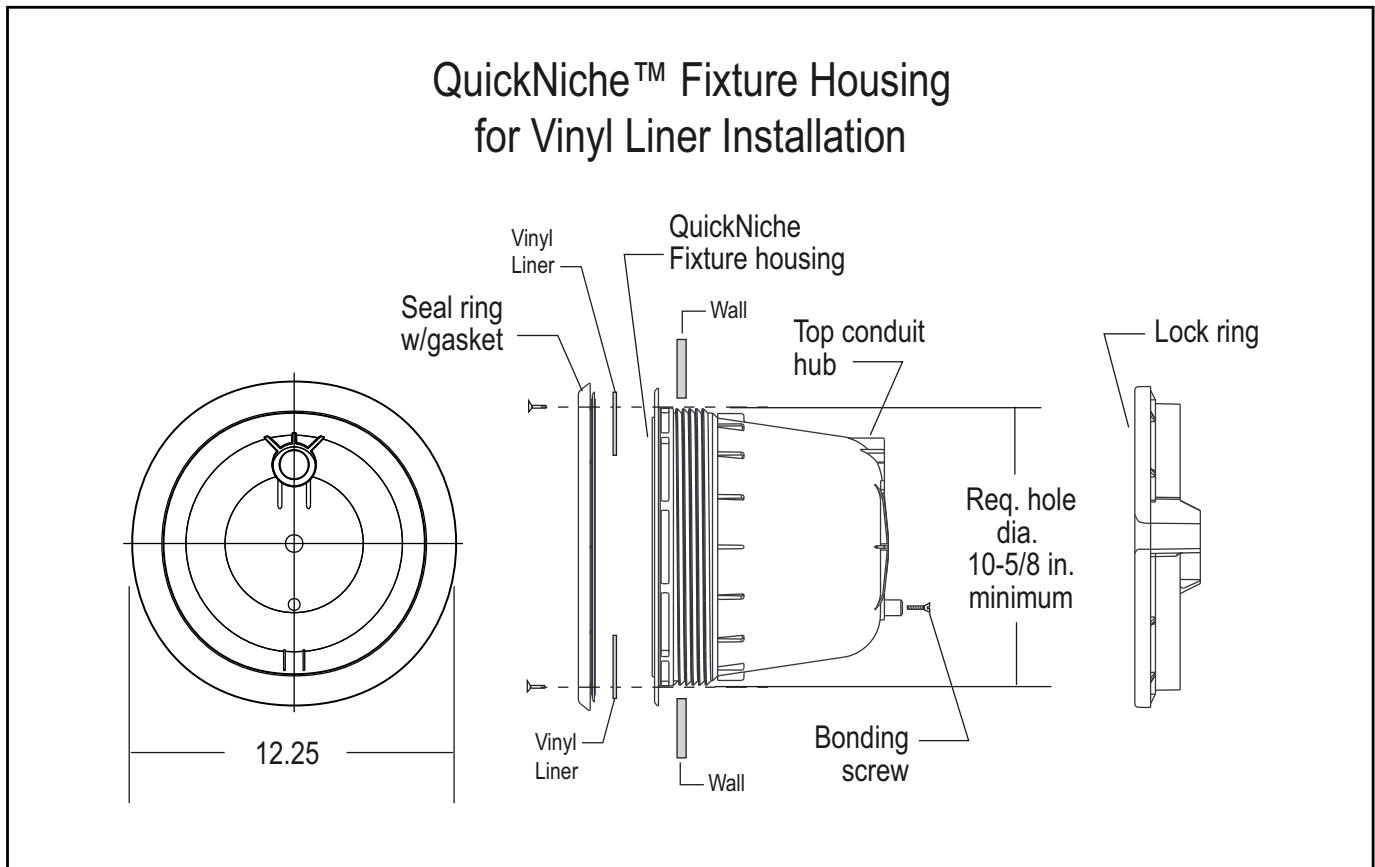
Figure 3.
Vinyl liner installation.

Technical Data

A. Replacement Parts



Item	P/N	Description
1	630056	Screw Kit, QuickNiche 10 hole
2	630017	Face Ring w/Gasket
3	630025	Gasket
4	990010	Screw, Bonding 10-24 X 7/16 in.
5	630016	Lock Ring
Not Shown		
	619555	Bonding Lug Kit
	630022	Screw, Pilot
	630023	Silicone Packet, DC 732 Clear
	630046	Repair Kit, QuickNiche



SAVE THESE INSTRUCTIONS.

Installation Information - Canada Only.

- A. Ensure that the electrical system of your pool conforms with the following requirements of the Canadian Electrical Code (CE), and all local codes and ordinances. A licensed or certified electrician must install the electrical system to meet or exceed those requirements before the light and (fixture-housing) is installed.
- B. Some of the CE requirements are listed below.
 - 1. The lighting circuit must have a Ground Fault Circuit Interrupter (GFCI), and have an appropriately rated circuit breaker.
 - 2. The GFCI or a transformer must be located at least 3 m or more from the edge of the pool, see *NOTE and Figure 3.
 - 3. The junction/deck box must be sealed to the conduit to prevent water from getting into the box, see Figure 4.
 - 4. The light fixture and all metal items within 3 m of the pool must be properly electrically bonded.

NOTE

Different rules apply to Fountain Light installations, consult the Canadian Electrical Code.


- 5. The niche must be properly installed so the pilot screw hole is at the 12 o'clock position and that the center line of the Underwater Light's lens is at a maximum depth of 600 mm below the surface of the water in the pool, see Figure 3.
-

NOTE

The required orientation of all Pentair lights is with the pilot screw at the 12 o'clock position. This is guaranteed by proper niche installation.

- 6. Be sure the niche is properly electrically bonded via the No. 6 AWG ground connector located at the rear of the niche.

C. Use only Pentair lighting fixtures in this niche to ensure proper bonding and grounding connections.

⚠ DANGER	
	RISK OF ELECTRICAL SHOCK OR ELECTROCUTION
	For proper bonding and grounding connections, use only Pentair Underwater Light Fixtures with this niche-fixture housing. Failure to do so could create an electrical hazard which would result in death or serious injury to pool users, installers and others.

***NOTE**

Very specific exceptions allowed as defined in the Canadian Electrical Code.

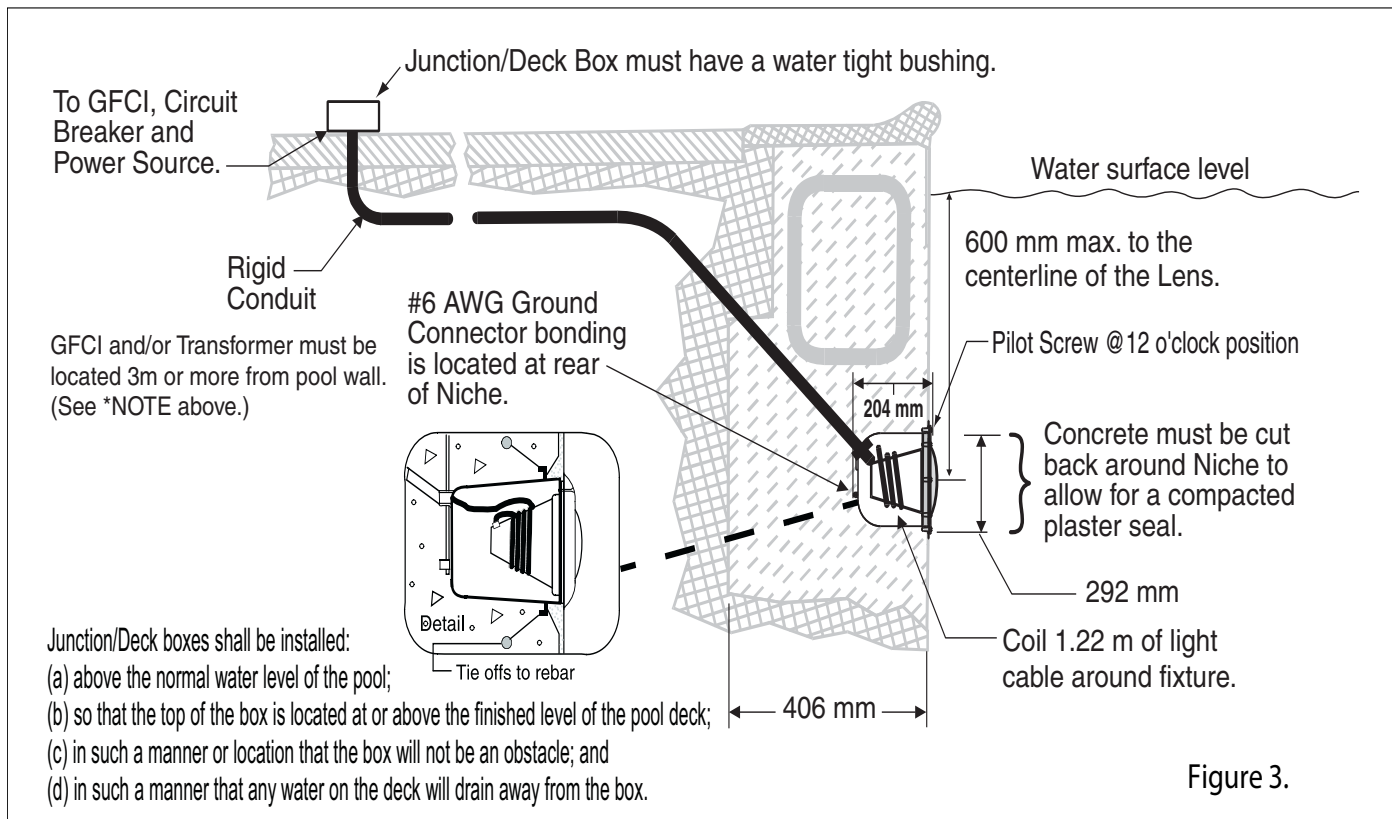


Figure 3.

Junction/Deck Box Location Information - Canada Only.

A. Junction/Deck boxes shall be installed:

- above the normal water level of the pool;
- so that the top of the box is located at or above the finished level of the pool deck;
- in such a manner or location that the box will not be an obstacle; and
- in such a manner that any water on the deck will drain away from the box (See Figure 4).

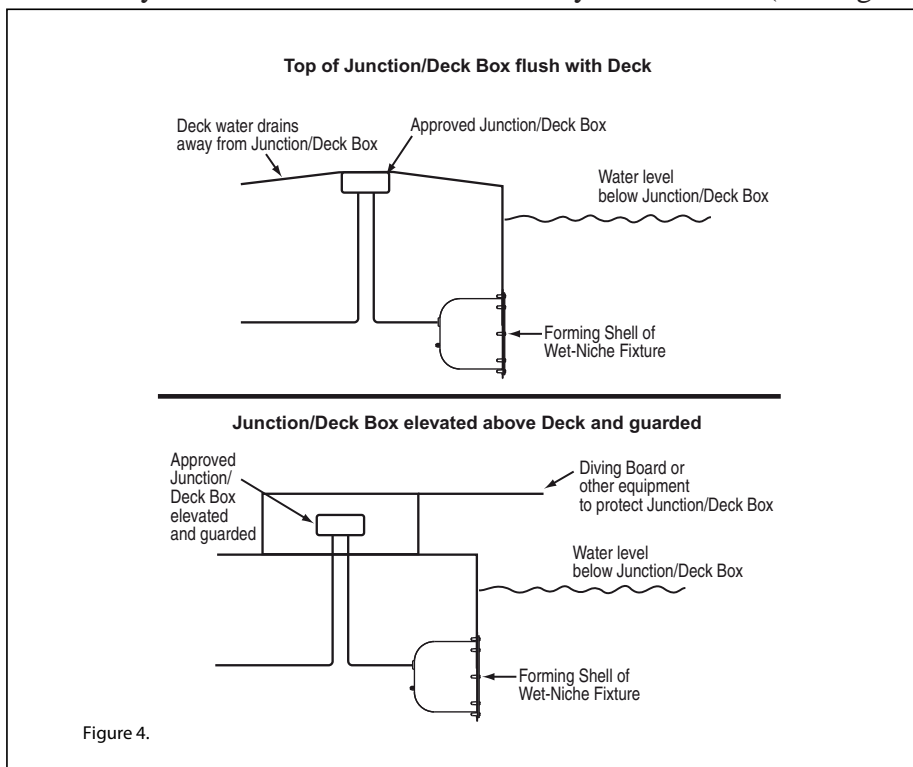


Figure 4.

SAVE THESE INSTRUCTIONS



1620 HAWKINS AVE., SANFORD, NC 27330 • (919) 566-8000
10951 WEST LOS ANGELES AVE., MOORPARK, CA 93021 • (805) 553-5000

www.pentairpool.com

All Pentair trademarks and logos are owned by Pentair or by one of its global affiliates. QuickNiche™, Pentair Aquatic Systems™ is a trademark of Pentair Water Pool and Spa, Inc. and/or its affiliated companies in the United States and/ or other countries. Unless expressly noted, names and brands of third parties that may be used in this document are not used to indicate an affiliation or endorsement between the owners of these names and brands and Pentair Water Pool and Spa, Inc. Those names and brands may be the trademarks or registered trademarks of those third parties. Because we are continuously improving our products and services, Pentair reserves the right to change specifications without prior notice. Pentair is an equal opportunity employer.

© 2015 Pentair Water Pool and Spa, Inc. All rights reserved. This document is subject to change without notice.



P/N 99791800 REV. G 5/2015