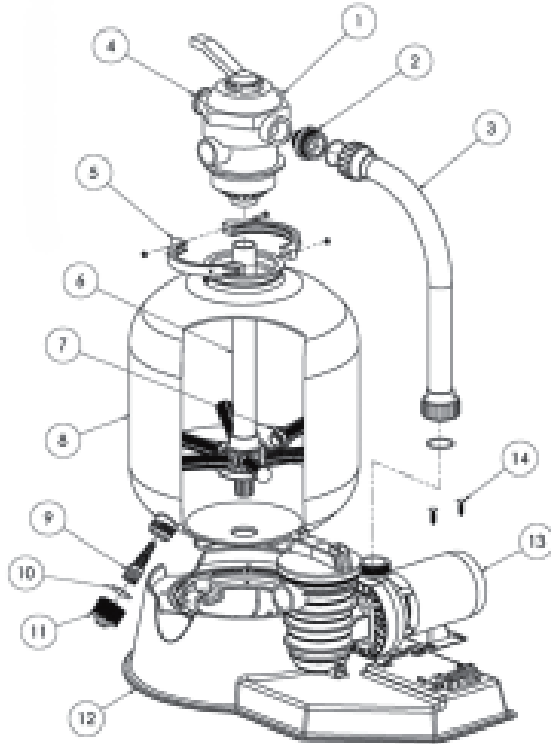


CRISTAL-FLO II FILTER SYSTEM REPLACEMENT PARTS

REPLACEMENT PARTS



CRISTAL-FLO II FILTER SYSTEMS MANUFACTURED 2009 AND BEYOND

Item No.	Part No.	Description
1	262506	Valve 1-1/2 in., 6-way
2	354588	Adaptor, NPT to Buttress
3	155726	Pump to Filter Assy (JWP/ABG to 16 in. Tank)
3	155727	Pump to Filter Assy (JWP/ABG to 19 in. Tank)
3	155728	Pump to Filter Assy (JWP/ABG to 22 in. Tank)
3	155709	Pump to Filter Assy (Dynamo/OptiFlo to 16 in Tank)
3	155710	Pump to Filter Assembly (Dynamo/OptiFlo to 19 in Tank)
3	155711	Pump to Filter Assembly (Dynamo/OptiFlo to 22 in Tank)
4	190059	Pressure gauge
5	152165	Clamp Assembly
6	152229	Pipe assembly - 16 in. Tank

6	152228	Pipe assembly - 19 in. Tank
6	152227	Pipe assembly - 22 in. Tank
7	150084	Lateral - 16 in. & 19 in. Tank
7	150085	Lateral - 22 in. Tank
8	145364	Tank w/Drain - 16 in. Tank
8	145365	Tank w/Drain - 19 in. Tank
8	145366	Tank w/Drain 22 in. Tank
9	154711	Sand Drain
10	154715	Gasket (Sand Drain)
11	154712	Drain cap
12	155333P	Systems Base
12	155333CP	Systems Base, CSA Pump
13	Pump	Pump, ABG Pump
14	710009	Base Hardware Kit
NOT SHOWN		
Item No.	Part No.	Description
	155151	Kit, Flex Hose, 6ft. ¹
	155005	Kit, Flex Hose, 12 ft. ¹
	155767	Conn Kit, Pump to Filter All sizes

1: Replacement hose kits include (2) hoses, (4) hose adapters and (4) hose clamps.