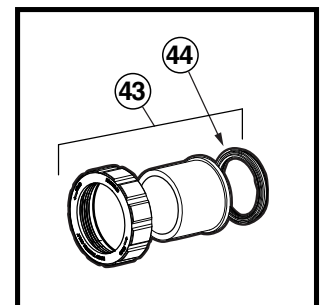
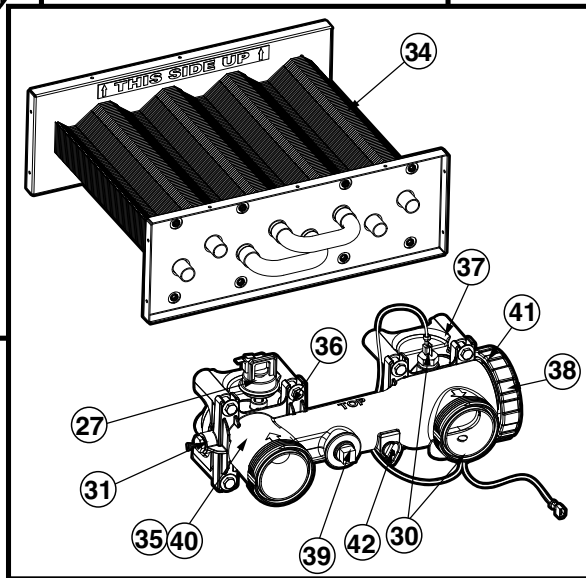
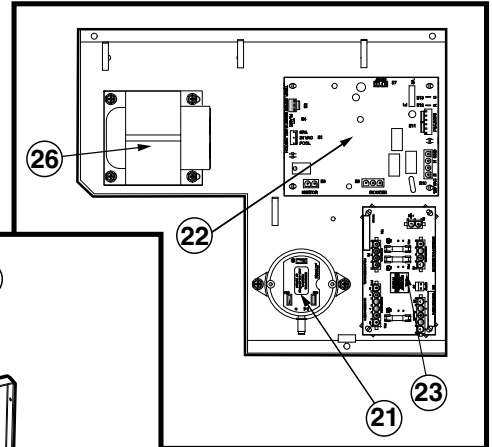
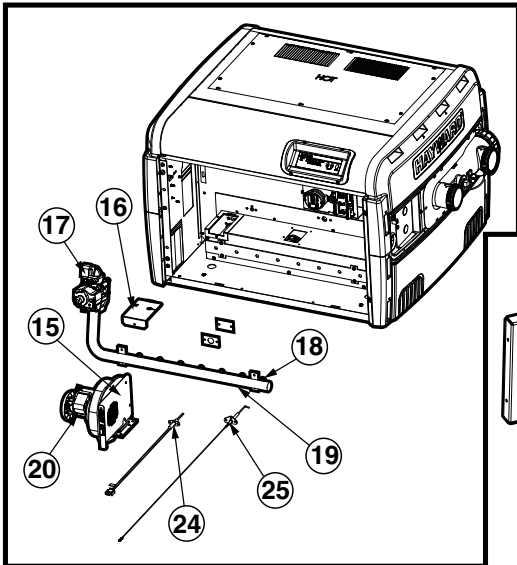
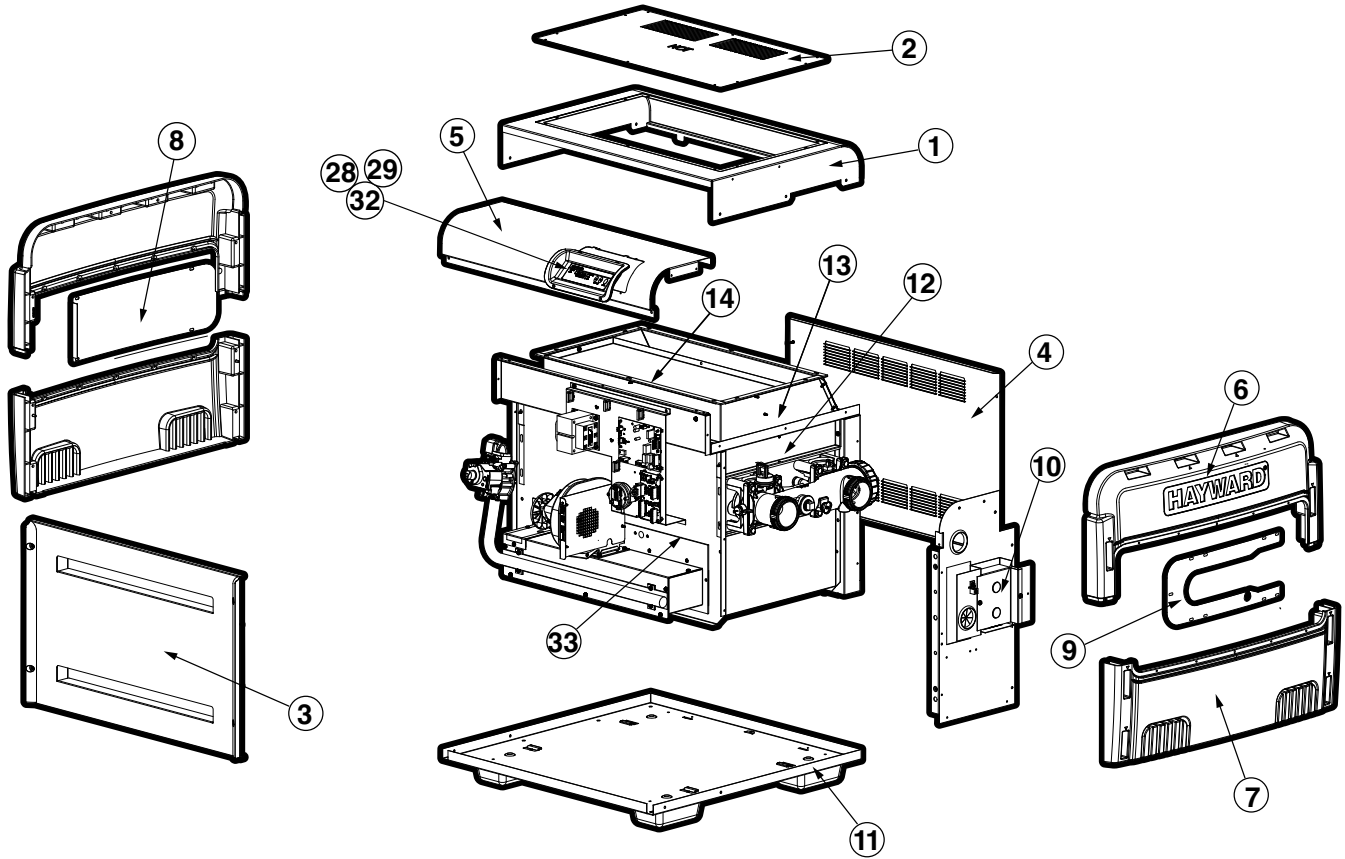




Universal H-Series Low NOx

REPLACEMENT PARTS

Parts Diagram: H150FD, H200FD, H250FD, H300FD, H350FD, H400FD



Universal H-Series Low NOx

REPLACEMENT PARTS



Parts Listing: H150FD, H200FD, H250FD, H300FD, H350FD, H400FD

Ref. No.	Part No.	Description	Ref. No.	Part No.	Description	Ref. No.	Part No.	Description
1	FDXLJKT1150	Jacket Top and Flue Cover – H150FD	19	FDXLGCK1150NP	Conversion Kit, NA to LP, Quick-Change – H150FD			includes: Gasket, Flue Collector Side
1	FDXLJKT1200	Jacket Top and Flue Cover – H200FD						Gasket, Rain Guard Side
1	FDXLJKT1250	Jacket Top and Flue Cover – H250FD	19	FDXLGCK1150PN	Conversion Kit, LP to NA, Quick-Change – H150FD			Gasket, Rain Guard Bottom Side
1	FDXLJKT1250A	Jacket Top, Gray, ASME – H250FD						Gasket, Flue Collector Top
1	FDXLJKT1300	Jacket Top and Flue Cover – H300FD	19	FDXLMAN1200	Gas Manifold – H200FD			Gasket, Rain Guard Front and Rear
1	FDXLJKT1350	Jacket Top and Flue Cover – H350FD	19	FDXLGCK1200NP	Conversion Kit, NA to LP, Quick-Change – H200FD			Gasket, Rain Guard Bottom Front and Rear
1	FDXLJKT1400	Jacket Top and Flue Cover – H400FD						Insulation, Return Side Tube Sheet – FD
1	FDXLJKT1400A	Jacket Top, Gray, ASME – H400FD	19	FDXLGCK1200PN	Conversion Kit, LP to NA, Quick-Change – H200FD	—	FDXLGSK1933	ASME Union Flange Kit (includes Flange Fittings, Bolts, Gaskets)
2	FDXLTC1150	Top/Flue Cover – H150FD				—	FDXLUNK1930A	Drain Valve, ASME
2	FDXLTC1200	Top/Flue Cover – H200FD	19	FDXLMAN1250	Gas Manifold – H250FD	—	FDXLDRV1930A	1/8" NPT Brass Plug
2	FDXLTC1250	Top/Flue Cover – H250FD	19	FDXLGCK1250NP	Conversion Kit, NA to LP, Quick-Change – H250FD	—	FDXLPLG1930	Vent Pressure Switch, Indoor, 0–2,000 ft
2	FDXLTC1250A	Top/Flue Cover, Gray, ASME – H250FD				—	FDXLVPS1930	Vent Pressure Switch, Indoor, 2,000–10,100 ft
2	FDXLTC1300	Top/Flue Cover – H300FD	19	FDXLGCK1250PN	Conversion Kit, LP to NA, Quick-Change – H250FD	—	FDXLVPS1931	Terminal Block – Remote Connection
2	FDXLTC1350	Top/Flue Cover – H350FD				—	IDXLTM1931	Heatfab Stainless Vent Kit, 6" Horizontal Elbow Terminal
2	FDXLTC1400	Top/Flue Cover – H400FD	19	FDXLMAN1300	Gas Manifold – H300FD	—	UHXHD6ESTERM	Heatfab Stainless Vent Kit, 6" Horizontal Straight Terminal
2	FDXLTC1400A	Top Flue Cover, Gray, ASME – H400FD	19	FDXLGCK1300NP	Conversion Kit, NA to LP, Quick-Change – H300FD	—	UHXHD6STERM	Heatfab Stainless Vent Kit, 6" 90° Elbow
3	FDXLFAD1150	Front Access Door Assembly – H150FD				—	UHXHD6ELBOW	Heatfab Stainless Vent Kit, 6" 90° Elbow
3	FDXLFAD1200	Front Access Door Assembly – H200FD	19	FDXLGCK1300PN	Conversion Kit, LP to NA, Quick-Change – H300FD	—	UHXHD6PIPE18	Heatfab Stainless Vent Kit, 6" Vent Pipe, 18" Long
3	FDXLFAD1250	Front Access Door Assembly – H250FD				—	UHXHD6PIPE24	Heatfab Stainless Vent Kit, 6" Vent Pipe, 24" Long
3	FDXLFAD1250A	Front Door Assembly, Gray, ASME – H250FD	19	FDXLMAN1350	Gas Manifold – H350FD	—	UHXHD6PIPE36	Heatfab Stainless Vent Kit, 6" Vent Pipe, 36" Long
3	FDXLFAD1300	Front Access Door Assembly – H300FD				—	UHXHD8ESTERM	Heatfab Stainless Vent Kit, 8" Horizontal Straight Terminal
3	FDXLFAD1350	Front Access Door Assembly – H350FD	19	FDXLGCK1350NP	Conversion Kit, NA to LP, Quick-Change – H350FD	—	UHXHD8ELBOW	Heatfab Stainless Vent Kit, 8" 90° Elbow
3	FDXLFAD1400	Front Access Door Assembly – H400FD	19	FDXLGCK1350PN	Conversion Kit, LP to NA, Quick-Change – H350FD	—	UHXHD8PIPE18	Heatfab Stainless Vent Kit, 8" Vent Pipe, 18" Long
3	FDXLFAD1400A	Front Door Assembly, Gray, ASME – H400FD	19	FDXLMAN1400	Gas Manifold – H400FD	—	UHXHD8PIPE24	Heatfab Stainless Vent Kit, 8" Vent Pipe, 24" Long
4	FDXLRAD1150	Rear Access Door Assembly – H150FD	19	FDXLGCK1400NP	Conversion Kit, NA to LP, Quick-Change – H400FD	—	UHXHD8PIPE36	Heatfab Stainless Vent Kit, 8" Vent Pipe, 36" Long
4	FDXLRAD1200	Rear Access Door Assembly – H200FD	19	FDXLGCK1400PN	Conversion Kit, LP to NA, Quick-Change – H400FD	—	UHXND8ESTERM	Heatfab Stainless Vent Kit, 8" Horizontal Straight Terminal
4	FDXLRAD1250	Rear Access Door Assembly – H250FD	19	FDXLGCK1400PN	Conversion Kit, LP to NA, Quick-Change – H400FD	—	UHXND8ELBOW	Heatfab Stainless Vent Kit, 8" 90° Elbow
4	FDXLRAD1250A	Rear Door Assembly, Gray, ASME – H250FD	20	FDXLBWR1930	Combustion Blower – FD	—	UHXND8PIPE18	Heatfab Stainless Vent Kit, 8" Vent Pipe, 18" Long
4	FDXLRAD1300	Rear Access Door Assembly – H300FD	21	FDXLBVS1930	Blower Vacuum Switch	—	UHXND8PIPE24	Heatfab Stainless Vent Kit, 8" Vent Pipe, 24" Long
4	FDXLRAD1350	Rear Access Door Assembly – H350FD	22	FDXLCIB1930	Integrated Control Board – FD	—	UHXND8PIPE36	Heatfab Stainless Vent Kit, 8" Vent Pipe, 36" Long
4	FDXLRAD1400	Rear Access Door Assembly – H400FD	23	FDXLFWP1930	Field Wiring Panel – FD	—	UHXNEGVT11501	Indoor Vent Adapter Kit, H150FD, Negative-Pressure (Vertical)
4	FDXLRAD1400A	Rear Door Assembly, Gray, ASME – H400FD	25	FDXLIGN1930	Ignitor – FD	—	UHXNEGVT12001	Indoor Vent Adapter Kit, H200FD, Negative-Pressure (Vertical)
5	FDXLTFP1150	Top and Front Panel – H150FD	26	IDXLFLS1930	Flame Sensor	—	UHXNEGVT12501	Indoor Vent Adapter Kit, H250FD, Negative-Pressure (Vertical)
5	FDXLTFP1200	Top and Front Panel – H200FD	27	FDXLWPS1930	Water Pressure Switch	—	UHXNEGVT13001	Indoor Vent Adapter Kit, H300FD, Negative-Pressure (Vertical)
5	FDXLTFP1250	Top and Front Panel – H250FD	28	IDXLZDB1930	Display Board Only	—	UHXNEGVT13501	Indoor Vent Adapter Kit, H350FD, Negative-Pressure (Vertical)
5	FDXLTFP1250A	Top Front Panel, Gray, ASME – H250FD	29	FDXLBKP1930	Bezel and Keypad Assembly, Taupe	—	UHXNEGVT14001	Indoor Vent Adapter Kit, H400FD, Negative-Pressure (Vertical)
5	FDXLTFP1300	Top and Front Panel – H300FD	29	FDXLBKP1931	Bezel and Keypad Assembly, Blue	—	UHXPOSHZ11501	Indoor Vent Adapter Kit, H150FD, Positive-Pressure (Horizontal)
5	FDXLTFP1350	Top and Front Panel – H350FD	30	FDXLHLI1930	High Limit 135°F	—	UHXPOSHZ12001	Indoor Vent Adapter Kit, H200FD, Positive-Pressure (Horizontal)
5	FDXLTFP1400	Top and Front Panel – H400FD	31	FDXLTER1930	Thermistor	—	UHXPOSHZ12501	Indoor Vent Adapter Kit, H250FD, Positive-Pressure (Horizontal)
5	FDXLTFP1400A	Top Front Panel, Gray, ASME – H400FD	32	FDXLGSK1932	Gasket, Bezel/Top – FD	—	UHXPOSHZ13001	Indoor Vent Adapter Kit, H300FD, Positive-Pressure (Horizontal)
6	FDXLUEC1930	Upper End Cap – FD	33	FDXLGSK1934	Gasket, CC Front/Air Box – FD All Models	—	UHXPOSHZ13501	Indoor Vent Adapter Kit, H350FD, Positive-Pressure (Horizontal)
7	FDXLLEC1930	Lower End Cap – FD	34	FDXLHXA1150	Heat Exchanger Assembly – H150FD	—	UHXPOSHZ14001	Indoor Vent Adapter Kit, H400FD, Positive-Pressure (Horizontal)
8	FDXLTP1930	Left Trim Panel Kit	34	FDXLHXA1200	Heat Exchanger Assembly – H200FD	—	UHXPOSHZ14501	Indoor Vent Adapter Kit, H450FD, Positive-Pressure (Horizontal)
9	FDXLRT1930	Right Trim Panel Kit	34	FDXLHXA1250	Heat Exchanger Assembly – H250FD	—	UHXPOSHZ15001	Indoor Vent Adapter Kit, H500FD, Positive-Pressure (Horizontal)
10	FDXLLCB1930*	Left Connection Box – FD	34	FDXLHXA1300	Heat Exchanger Assembly – H300FD	—	UHXPOSHZ15501	Indoor Vent Adapter Kit, H550FD, Positive-Pressure (Horizontal)
10	FDXLRBC1930*	Right Connection Box – FD	34	FDXLHXA1350	Heat Exchanger Assembly – H350FD	—	UHXPOSHZ16001	Indoor Vent Adapter Kit, H600FD, Positive-Pressure (Horizontal)
10	FDXLJJC1930	Junction Box Cover, Left	34	FDXLHXA1400	Heat Exchanger Assembly – H400FD	—	UHXPOSHZ16501	Indoor Vent Adapter Kit, H650FD, Positive-Pressure (Horizontal)
10	FDXLRJC1930	Junction Box Cover, Right	34	FDXLHXA1400A	Heat Exchanger Assembly, ASME – H400FD	—	UHXPOSHZ17001	Indoor Vent Adapter Kit, H700FD, Positive-Pressure (Horizontal)
11	FDXLPBL1930	Base Leg – FD	35	FDXLHXA1930	Header Assembly	—	UHXPOSHZ17501	Indoor Vent Adapter Kit, H750FD, Positive-Pressure (Horizontal)
12	FDXLFC1930	Flue Collector Side Panel	36	FDXLHWA1930	Header Hardware Kit	—	UHXPOSHZ18001	Indoor Vent Adapter Kit, H800FD, Positive-Pressure (Horizontal)
13	FDXLRGK1151†	Rain Guard Assembly – H150FD	37	FDXLHMB1930	Header Mounting Base Kit	—	UHXPOSHZ18501	Indoor Vent Adapter Kit, H850FD, Positive-Pressure (Horizontal)
13	FDXLRGK1201†	Rain Guard Assembly – H200FD	38	FDXLBPK1930	Bypass Cartridge Kit	—	UHXPOSHZ19001	Indoor Vent Adapter Kit, H900FD, Positive-Pressure (Horizontal)
13	FDXLRGK1251†	Rain Guard Assembly – H250FD	39	CHXPLG1930	3/4" NPT Brass Plug	—	UHXPOSHZ19501	Indoor Vent Adapter Kit, H950FD, Positive-Pressure (Horizontal)
13	FDXLRGK1301†	Rain Guard Assembly – H300FD	40	FDXLHFA1930	Header Assembly	—	UHXPOSHZ20001	Indoor Vent Adapter Kit, H1000FD, Positive-Pressure (Horizontal)
13	FDXLRGK1351†	Rain Guard Assembly – H350FD	41	FDXLCRN1930	Header Cartridge Retaining Nut	—	UHXPOSHZ20501	Indoor Vent Adapter Kit, H1050FD, Positive-Pressure (Horizontal)
13	FDXLRGK1401†	Rain Guard Assembly – H400FD	42	SPX4000FG	Drain Plug with Gasket	—	UHXPOSHZ21001	Indoor Vent Adapter Kit, H1100FD, Positive-Pressure (Horizontal)
14	FDXLHBP1150	Heat Barrier Panel – H150FD	43	SPX3200UNKIT	Union Kit	—	FDXLDK1930	Tie-Down Kit – FD
14	FDXLHBP1200	Heat Barrier Panel – H200FD	44	SPX3200UG	Union Gasket (Pack of 2)	—	FDXLWHA0001*	Wiring Harness Kit Complete – FD
14	FDXLHBP1250	Heat Barrier Panel – H250FD				—	FDXLWHA1930**	Wiring Harness Kit Complete – FD
14	FDXLHBP1300	Heat Barrier Panel – H300FD				—	FDXLCNK0001	Conversion Kit – NA to LP
14	FDXLHBP1350	Heat Barrier Panel – H350FD				—	FDXLCNK0002	Conversion Kit – LP to NA
14	FDXLHBP1400	Heat Barrier Panel – H400FD				—	FDXLHAK1930	Conversion Kit, H150FD-H400FD High-Altitude, 2,000–10,100 ft.
15	FDXLBBN1150	Blower Inlet Baffle – H150FD				—	FDXLVJS1930	Voltage Selector Jumpers
15	FDXLBBN1200	Blower Inlet Baffle – H200FD	—	FDXLBPN1930	Blower Inlet Baffle – H200FD	—	FDXLFSKF30	Fuse Kit, 3.0A, for Field Wiring Panel (Qty. 10)
15	FDXLBBN1250	Blower Inlet Baffle – H250FD	—	SPX3200UG	Union Gasket (Pack of 2)	—	FDXLFSKF15	Fuse Kit, 1.5A, for Field Wiring Panel (Qty. 10)
15	FDXLBBN1300	Blower Inlet Baffle – H300FD	—	FDXLFSK1930	Fuse Service Kit – FD	—	FDXLFSKF25	Fuse Kit, 2.5A, for Field Wiring Panel (Qty. 10)
15	FDXLBBN1350	Blower Inlet Baffle – H350FD	—	FDXLCBC1930*	Control Box Cover Assembly	—	FDXLFSKF30	Fuse Kit, 3.0A, for Integrated Control Board (Qty. 10)
15	FDXLBBN1400	Blower Inlet Baffle – H400FD	—	FDXLGSK1930	Gasket Kit – Air Side (all models)	—	FDXLFSKF30	Fuse Kit, 3.0A, for Integrated Control Board (Qty. 10)
16	FDXLIAC1930	Ignitor Access Cover				—	FDXLFSKF15	Fuse Kit, 1.5A, for Field Wiring Panel (Qty. 10)
17	FDXLGSV0001	Gas Valve Natural Gas – FD				—	FDXLFSKF25	Fuse Kit, 2.5A, for Field Wiring Panel (Qty. 10)
17	FDXLGSV0002	Gas Valve Propane Gas – FD				—	FDXLFSKF30	Fuse Kit, 3.0A, for Field Wiring Panel (Qty. 10)
18	FDXLBON1930	Burner Orifice Kit Natural Gas – FD				—	FDXLFSKF30	Fuse Kit, 3.0A, for Field Wiring Panel (Qty. 10)
18	FDXLBOP1930	Burner Orifice Kit Propane Gas – FD				—	FDXLFSKF30	Fuse Kit, 3.0A, for Field Wiring Panel (Qty. 10)
19	FDXLMAN1150	Gas Manifold – H150FD	—	FDXLGSK1931	Gasket Kit – Exhaust Side (all models)	—	FDXLFSKF30	Fuse Kit, 3.0A, for Field Wiring Panel (Qty. 10)

NOTES: *Used only on Heaters made before 9/9/08, serial #21130809100177001 **Used only on Heaters made after 9/9/08, serial #21130809100177001

†Used only on heaters made after 5/11/2010, serial #21130005101018001