

Jandy Pro Series Slide Valve and Backwash Valve

⚠ WARNING

FOR YOUR SAFETY - This product must be installed and serviced by a contractor who is licensed and qualified in pool equipment by the jurisdiction in which the product will be installed where such state or local requirements exist. The maintainer must be a professional with sufficient experience in pool equipment installation and maintenance so that all of the instructions in this manual can be followed exactly. Before installing this product, read and follow all warning notices and instructions that accompany this product. Failure to follow warning notices and instructions may result in property damage, personal injury, or death. Improper installation and/or operation will void the warranty.



Improper installation and/or operation can create unwanted electrical hazard which can cause serious injury, property damage, or death.

ATTENTION INSTALLER - This manual contains important information about the installation, operation and safe use of this product. This information should be given to the owner/operator of this equipment.

Table of Contents

Section 1. Safety Information	3
Section 2. SVLV8 Installation	4
Section 3. SVLV2 and Versa-Coupler Installation.....	5
Section 4. Normal Operation	6
Section 5. Backwash Mode.....	6
Section 6. Servicing	7
Section 7. Winterizing	8
Section 8. Slide Valve Exploded View and Replacement Parts List	10

Section 1. Safety Information

WARNING

FOR YOUR SAFETY: This product must be installed and serviced by a professional pool/spa service technician. The procedures in this instruction sheet must be followed exactly. Improper installation and/or operation will void the warranty.

WARNING

Ensure that all electrical power to the system is turned off before approaching, inspecting or troubleshooting any leaking valves that may have caused other electrical devices in the surrounding area to get wet. Failure to do so could result in an electrical hazard that could result in death or serious injury due to electrical shock, and may also cause damage to property and/or operation.



WARNING

- Do not connect system to an unregulated city water system or other external source of pressurized water producing pressures greater than 35 PSI.
- Pressurized air in system can cause product failure or also cause the filter lid to be blown off which can result in death, serious personal injury, or property damage. Be sure all air is out of system before operating or testing the equipment.

WARNING

To minimize risk of severe injury or death the filter and/or pump should not be subjected to the piping system pressurization test.

Local codes may require the pool piping system to be subjected to a pressure test. These requirements are generally not intended to apply to the pool equipment such as filters or pumps.

Jandy Pro Series pool equipment is pressure tested at the factory.

If however this WARNING cannot be followed and pressure testing of the piping system must include the filter and/or pump **BE SURE TO COMPLY WITH THE FOLLOWING SAFETY INSTRUCTIONS:**



- Check all clamps, bolts, lids, lock rings and system accessories to ensure they are properly installed and secured before testing.
- **RELEASE ALL AIR** in the system before testing.
- Water pressure for test must NOT EXCEED 35 PSI.
- Water temperature for test must NOT EXCEED 100°F (38°C).
- Limit test to 24 hours. After test, visually check system to be sure it is ready for operation.

Notice: These parameters apply to Jandy Pro Series equipment only. For non-Jandy equipment, consult equipment manufacturer.

READ AND FOLLOW ALL INSTRUCTIONS

This document provides instructions for installing the Jandy Pro Series Pro Series Slide Valve. The instructions must be followed exactly. Read through the instructions completely before starting the procedure. Please save these instructions.

The Jandy Pro Series Pro Series Slide Valve is designed to be used on either sand or diatomaceous earth (DE) filters with a center-to-center dimension of 8 inches (center of the inlet port to the center of the outlet port). Combined with the Jandy Pro Series Pro Series Versa-Coupler, the Slide Valve can be used on filters with center-to-center dimensions of 7 to 9 inches.

For Jandy Pro Series Filters, Slide Valve p/n SVLV8 (with unions) is ready to mount to DEL48 or DEL60 model filters (in which the top port is the filter outlet), BWVLSLD mounts to DEV48, DEV60 or JS series model filters. If mounting a Jandy Pro Series Slide Valve on Pentair® or Sta-Rite®* Filters, use a combination of p/n SVLV2 (Slide Valve without unions) and p/n 8044 (Versa-Coupler Kit).

The Slide Valve is a two position valve. The valve handle must be fully extended or fully depressed. **This valve can not be throttled.** To operate the Slide Valve on a DEL, DEV or JS series filters in normal filtration mode, fully depress the handle. To operate the Slide Valve from a manufacturer other than Jandy Pro Series (with the inlet being the top port) on a sand filter in normal filtration mode, fully extend the valve handle. See Figure 1.

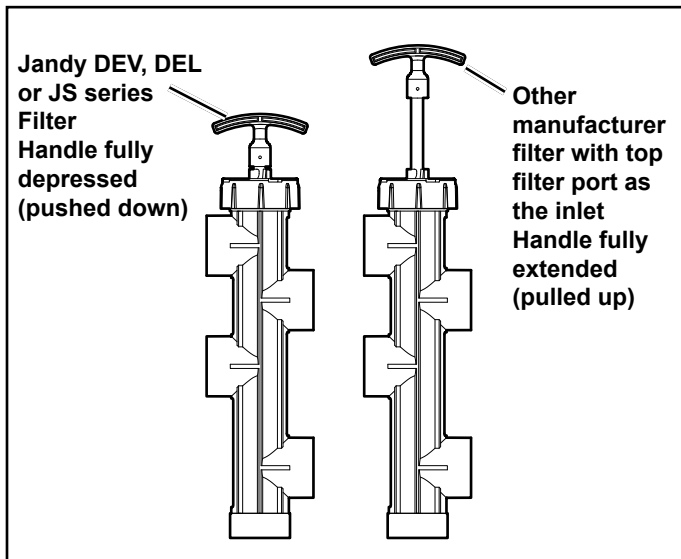


Figure 1. Handle Positions - Filter/Circulation Mode (SVLV2 shown)

Section 2. SVLV8 Installation

1. Remove the Slide Valve from the packaging. Twist the handle on the Slide Valve several times to verify that the piston moves freely.

⚠ WARNING

Ensure that all electrical power to the system is turned off before approaching, inspecting or troubleshooting any leaking valves that may have caused other electrical devices in the surrounding area to get wet.

2. Turn off all power to the system. For **retrofit** installations *only*, follow steps "a" through "d". For **new** installations skip steps "a" through "d" and proceed to step 3.
 - a. Open the pressure relief valve on top of the filter. Wait for all air to evacuate the system.
 - b. If the filter is below pool level, close the suction and return line valves to isolate the filtration system.
 - c. Remove the drain plug from the filter. Let the water drain from the filter.
 - d. Remove the existing valve from the filter.
3. Remove the two (2) o-rings from the packaging.
4. Place the o-rings on the face of the union tail pieces, where the face of the Slide Valve union will connect to the filter bulkheads, see Figure 2. Make sure each o-ring is properly seated into the groove of each union tail piece.

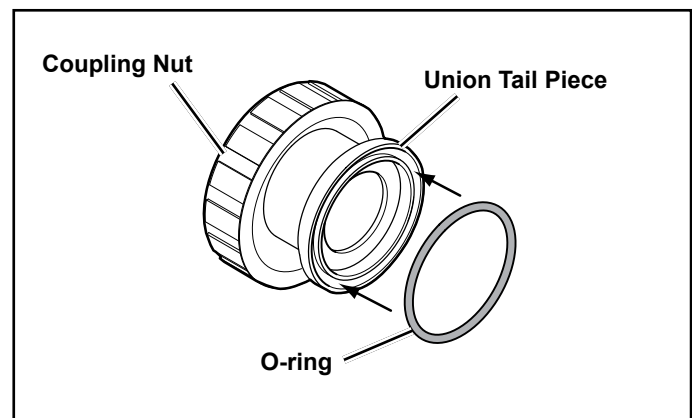


Figure 2. O-ring Placement

CAUTION

The Slide Valve has molded labels on each port. (See Figure 1.) The ports on the SVLV8 are equipped with union connections that match the connections on the filter ports. Do not use pipe sealants on union nuts.

5. Hold the Slide Valve upright and place onto the filter bulkheads. See Figure 3.
6. Tighten both union nuts to secure the valve on the filter.

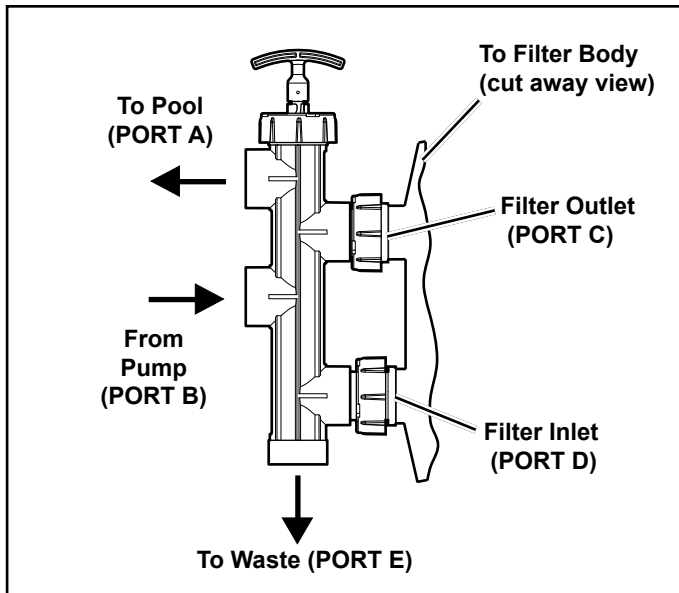


Figure 3. SVLV8 Installed on Jandy DEL48 or (DEL60)

7. Place filter and valve in proper location on the equipment set pad.
8. Plumb the discharge of the pump into the Slide Valve inlet labeled **PORT B**.
9. Plumb the Slide Valve outlet labeled **PORT A** to the heater or pool return lines.
10. Plumb the Slide Valve outlet labeled **PORT E** to the waste line as needed. Allow the connections to dry for 24 hours.

CAUTION

Do not let any adhesive get inside the Slide Valve body. Adhesive inside the valve body will prevent the piston from moving freely, or cause the valve to leak.

CAUTION

To avoid costly equipment damage, after verifying proper water flow and prior to putting system into normal operating conditions, flush the system using Backwash mode until the waste water is clean. Refer to Section 4 for Backwash mode operation instructions.

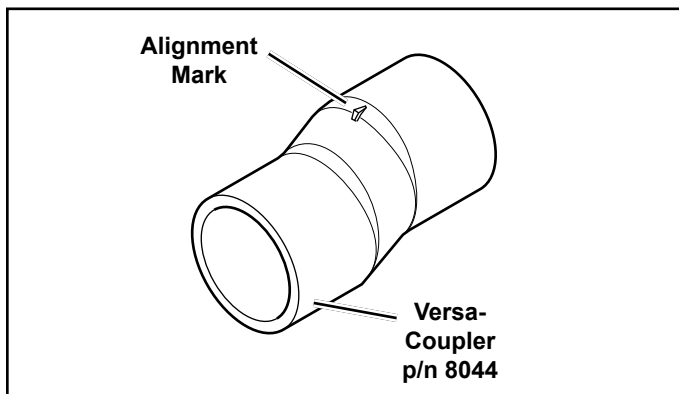


Figure 4. Jandy Versa-Coupler

11. When the glue is dry, start the system and check for proper water flow.

NOTE For new installations other than Jandy Pro Series DEL48 or DEL60, use the SVLV2 and the Versa Coupler Kit, p/n 8044. See Figure 4.

If using the Slide Valve with a Pentair® filter, use Pentair Pool Products® Union Set #27002, and then proceed to Section 2. If using a Sta-Rite® filter, use Sta-Rite® Union Set #PKGM188, and then proceed to Section 2.

Section 3. SVLV2 and Versa-Coupler Installation

NOTE Certain filters may require only one (1) versa-coupler (p/n 8044).

1. Slide one (1) versa-coupler into **PORT C** and one (1) into **PORT D** on the Slide Valve.
2. Hold the Slide Valve up to the filter and twist the versa-couplers until they slide into the filter inlet and outlet ports.

NOTE Make sure to align each versa-coupler to the filter and the Slide Valve prior to gluing the assembly. When the parts are in alignment, mark each piece to ensure correct reassembly.

3. Remove the valve from the filter. Clean the versa-couplers and glue them onto the valve using the alignment marks as a reference.
4. Clean the versa-coupler and glue onto the filter. Hold the coupler in place for a minimum of one (1) minute.
5. Plumb the discharge of the pump into the Slide Valve inlet labeled **PORT B**.

NOTE Refer to Figure 5 for Steps 6 and 7.

6. (*Jandy Pro Series DEL, DEV, and JS series Filters*) Plumb the Slide Valve outlet labeled **PORT A** to the heater or pool return lines.
(*Other Manufacturers Filters with the filter top port as the inlet*) Plumb the Slide Valve outlet labeled **PORT E** to the heater or pool return lines.
7. (*Jandy Pro Series DEL, DEV, and JS series Filters*) Plumb the Slide Valve outlet labeled **PORT E** to the waste line as needed.
(*Other Manufacturers Filters with the filter top port as the inlet*) Plumb the Slide Valve outlet labeled **PORT A** to the waste line as needed.

8. Allow the connections to dry for 24 hours.
9. When the glue is dry, start the system and check for proper water flow.

CAUTION

To avoid costly equipment damage, after verifying proper water flow and prior to putting system into normal operating conditions, flush the system using Backwash mode until the waste water is clean. Refer to Section 4 for Backwash mode operation instructions.

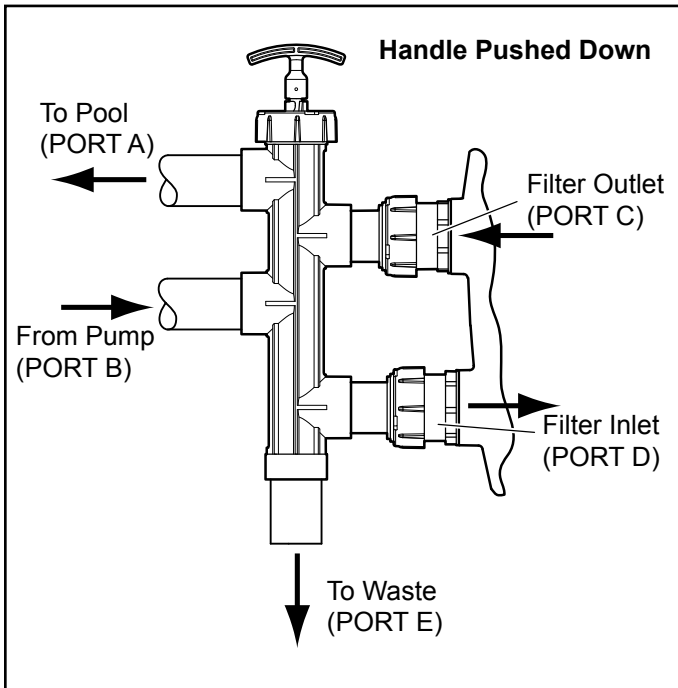


Figure 5. SVLV2 Plumbing Configuration for DEL, DEV and JS Series Filters - Filtration Mode

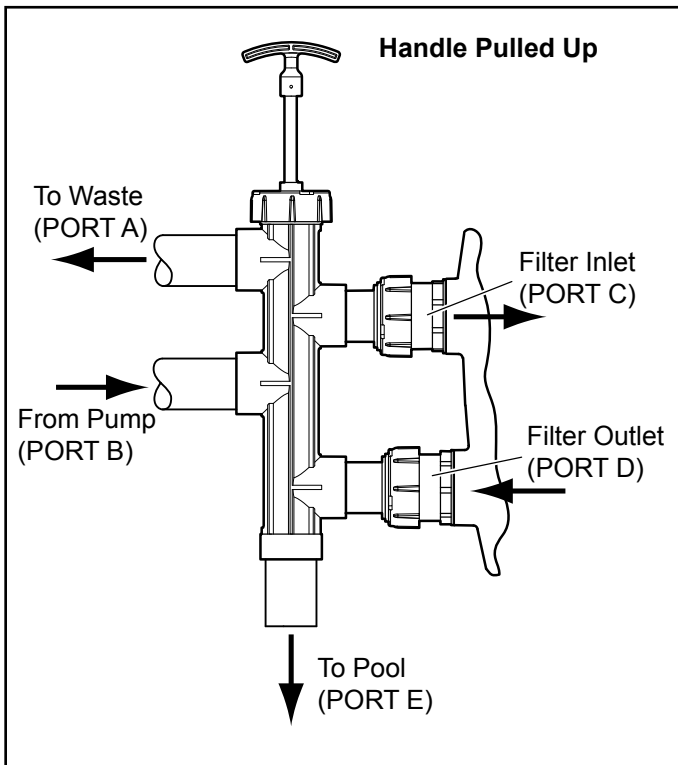


Figure 6. SVLV2 Plumbing Configuration for Other Manufacturers Filters with Inlet at Top Port - Filtration Mode

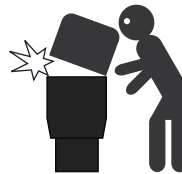
Section 4. Normal Operation**⚠ WARNING**

NEVER attempt to assemble, disassemble or adjust the filter when there is pressurized air in the system. Starting the pump while there is any pressurized air in the system can cause the filter lid to be blown off, which can cause death, serious personal injury or property damage.

1. Turn off the system pump(s).
 2. Open the air release valve on top of the filter tank to release all pressure from inside the tank and system. Wait for all the air to evacuate the system.
 3. (*Jandy Pro Series DEL, DEV, and JS series Filters*) Ensure that the Slide Valve handle is fully depressed (handle and piston pushed all the way down). Turn the handle until the stainless steel pin on the piston locks into the position bracket.
- (*Other Manufacturers Filters with the filter top port as the inlet*) Ensure that the Slide Valve handle is fully extended (handle pulled all the way up).
4. Turn on the filter pump(s). Check the system for normal water flow.

Section 5. Backwash Mode

1. Turn off the system pump(s).

⚠ WARNING

NEVER attempt to assemble, disassemble or adjust the filter when there is pressurized air in the system. Starting the pump while there is any pressurized air in the system can cause the filter lid to be blown off, which can cause death, serious personal injury or property damage.

2. Open the air release valve on top of the filter tank to release all pressure from inside the tank and system. Wait for all the air to evacuate the system.
3. (*Jandy DEL, DEV, and JS series Filters*) Ensure that the Slide Valve handle is fully extended (handle pulled all the way up). See Figure 7.

(Other Manufacturers Filters with the filter top port as the inlet) Ensure that the Slide Valve handle is fully depressed (handle and piston pushed all the way down). Turn the handle until the stainless steel pin on the piston locks into the position bracket.

4. Turn on the system pump(s) and run the system until the waste water runs clean.

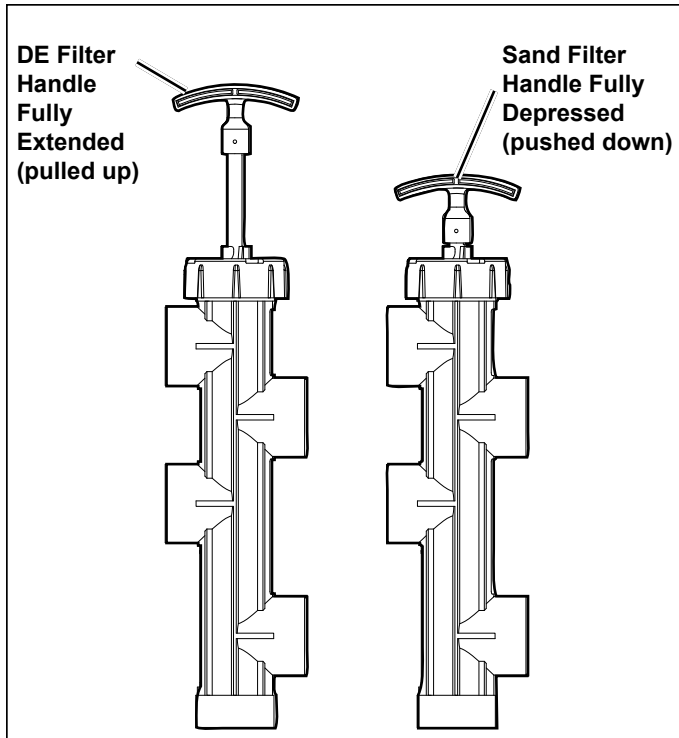


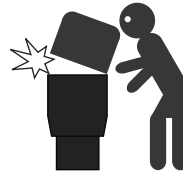
Figure 7. Handle Positions (SVLV2 shown)
Caution - Handle Positions for Backwash Only

IMPORTANT NOTE Be sure to follow any and all applicable local codes related to proper discharge/drainage of water from your pool/spa.

5. Turn off the system pump(s).
6. Return the Slide Valve handle to the normal operating position. See Section 3.
7. Turn on system pump(s) and check for normal water flow.

Section 6. Servicing

⚠ WARNING



NEVER attempt to assemble, disassemble or adjust the filter when there is pressurized air in the system. Starting the pump while there is any pressurized air in the system can cause the filter lid to be blown off, which can cause death, serious personal injury or property damage.

1. Turn off the system pump(s).
2. Open the air release valve on top of the filter tank to release all pressure from inside the tank and system. Wait for all the air to evacuate the system.
3. Loosen the lid union nut. See Figure 8.

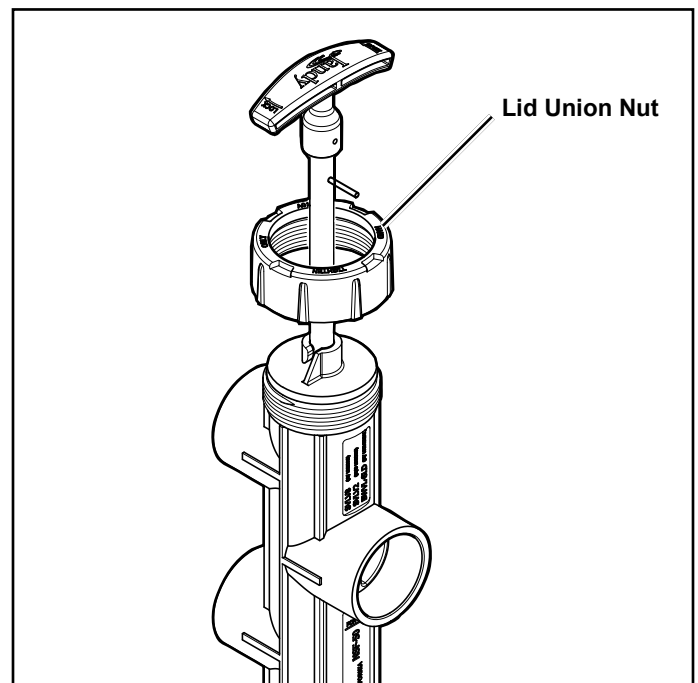


Figure 8. Loosen Lid Union Nut

4. Grab the Slide Valve handle and pull the shaft assembly out of the valve. See Figure 9.
5. Inspect the shaft and the o-rings for wear, cuts, cracks, and debris. If the o-rings show any sign of wear or damage, replace with Jandy o-ring and Roll Pin Replacement Kit (P/N R0442100).

NOTE The o-ring inspection includes the lid o-ring. Please be aware that the roll pins are different lengths; the handle roll pin is 1" long and the shaft roll pin is 13/16" long.

6. Wash the shaft and o-rings with clean water and dry with a lint-free cloth. **Ensure that all debris is removed.**

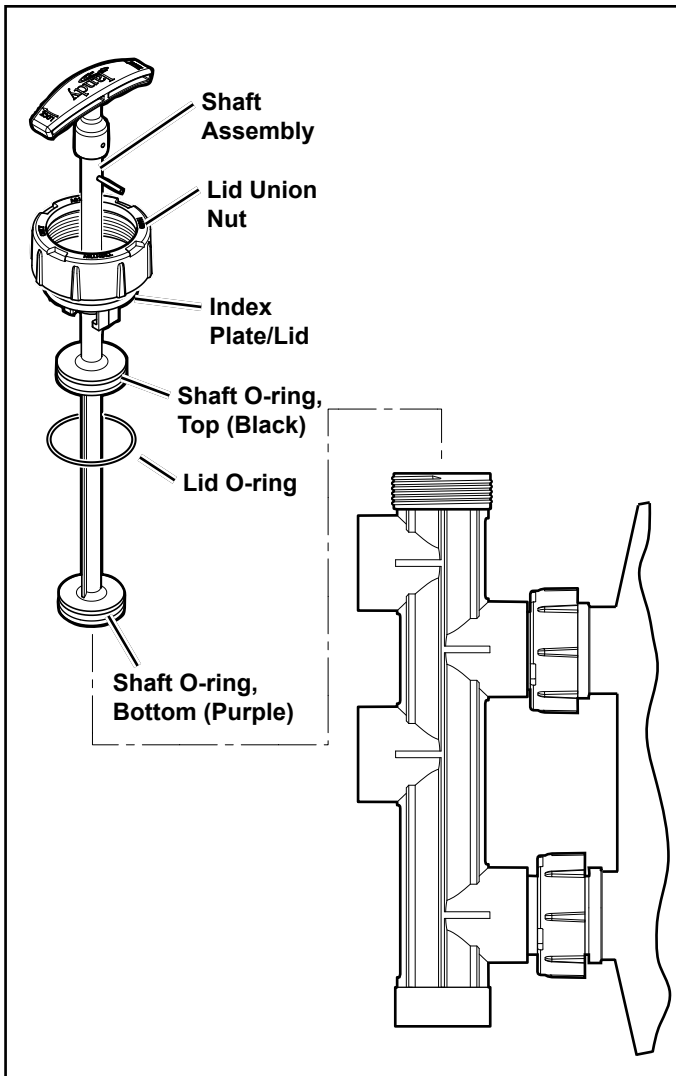


Figure 9. Remove Slide Valve Shaft Assembly

7. Wash the lid surface of the valve (where the lid o-ring is seated) and dry with a lint-free cloth. **Ensure that all debris is removed.**
8. Lubricate o-rings with 100% silicone grease lubricant, like Magic Lube® II. *Do not use any lubricant containing petroleum products.*
9. Place the shaft back into the Slide Valve and tighten the lid union nut.
10. Return the Slide Valve handle to the normal operating position. See Section 3.
11. Turn on system pump(s) and check for normal water flow.

Section 7. Winterizing

CAUTION

If not properly winterized, damage to the Slide Valve will occur, which will increase the potential of injury.

1. Turn off the system pump(s).

⚠ WARNING



NEVER attempt to assemble, disassemble or adjust the filter when there is pressurized air in the system. Starting the pump while there is any pressurized air in the system can cause the filter lid to be blown off, which can cause death, serious personal injury or property damage.

2. Open the air release valve on top of the filter tank to release all pressure from inside the tank and system. Wait for all the air to evacuate the system.
3. Loosen the lid union nut. See Figure 8.
4. Grab the Slide Valve handle and pull the shaft assembly out of the valve. See Figure 9.
5. Allow all water to drain out the valve.
6. When it is confirmed that there is no water left in the valve, place the shaft back into the Slide Valve and tighten the lid union nut.
7. Position the Slide Valve in Backwash mode. See Section 4.

(Jandy DEL, DEV, and JS series Filters) Ensure that the Slide Valve handle is fully extended (handle pulled all the way up). See Figure 7.

(Other Manufacturers Filters with the filter top port as the inlet) Ensure that the Slide Valve handle is fully depressed (handle and piston pushed all the way down). Turn the handle until the stainless steel pin on the piston locks into the position bracket.

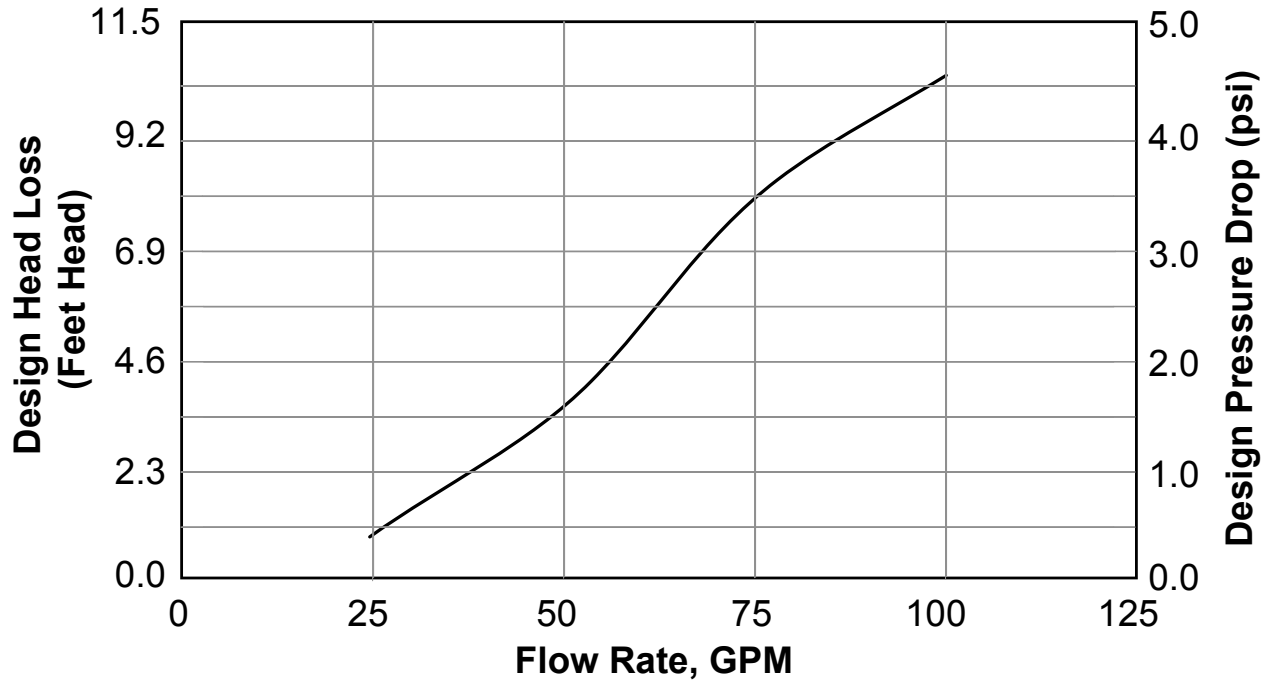
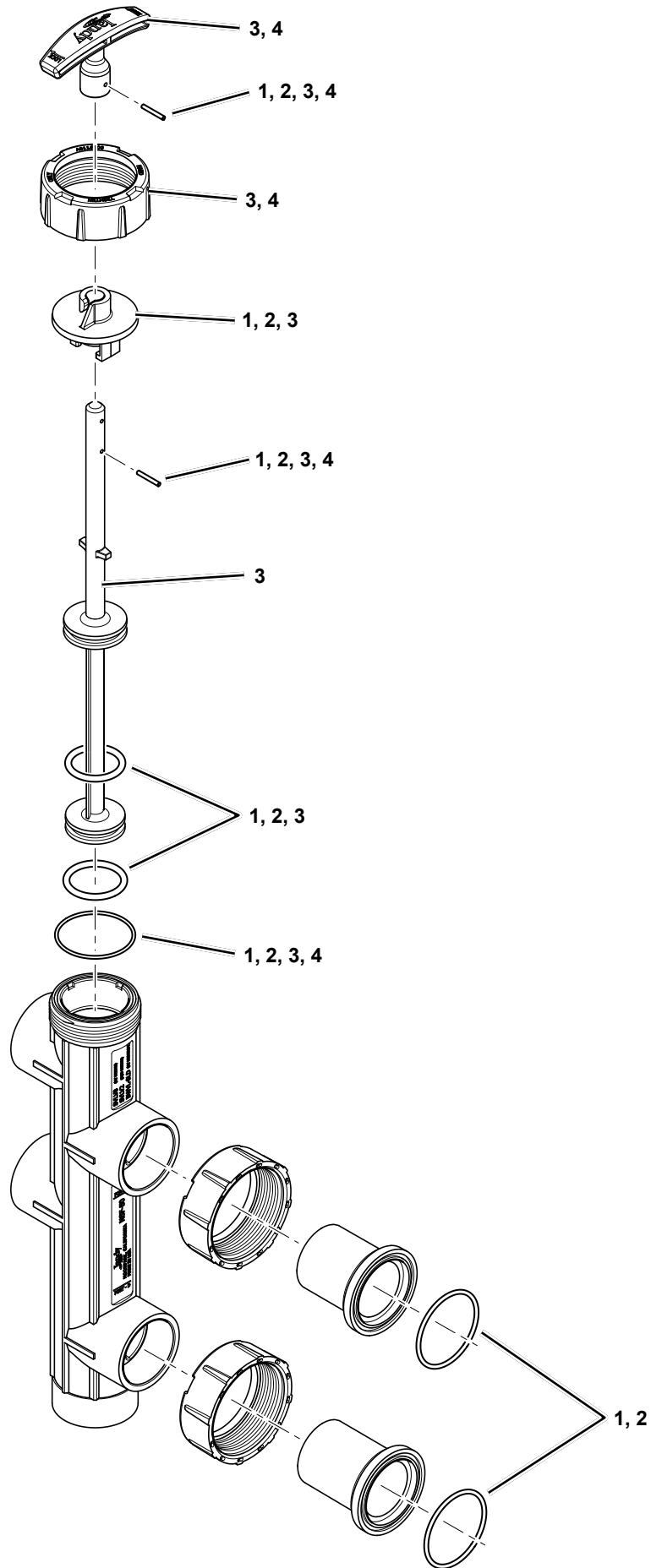


Figure 10. Slide Valve Head Loss Curve (Slide Valve with DE Filter Data Shown)

Section 8. Slide Valve Exploded View and Replacement Parts List

Key No.	Description	Qty.	Model	Order Part No.
1	Rebuild Kit (O-rings, Roll Pins and Index Plate/Lid)		SVLV8 SVLV2	R0442100
	O-ring, Lid	1		
	O-ring, Shaft, Top, Black	1		
	O-ring, Shaft, Bottom, Purple	1		
	O-ring, Union Tail Piece	2		
	Roll Pin, Handle (1")	1		
	Roll Pin, Handle (1")	1		
	Roll Pin, Shaft (¹³ / ₁₆ "	1		
	Index Plate/Lid	1		
2	Rebuild Kit (O-rings, Roll Pins and Index Plate/Lid)		BWVL-SLD	R0473000
	O-ring, Lid	1		
	O-ring, Shaft, Top, Black	1		
	O-ring, Shaft, Bottom, Purple	1		
	O-ring, Union Tail Piece	2		
	Roll Pin, Handle (1")	1		
	Roll Pin, Shaft (¹³ / ₁₆ "	1		
	Index Plate/Lid	1		
3	Shaft Replacement Kit		All	R0442200
	Shaft	1		
	Handle	1		
	Roll Pin, Handle (1")	1		
	Roll Pin, Shaft (¹³ / ₁₆ "	1		
	Index Plate/Lid	1		
	Lid Union Nut	1		
	O-ring, Lid	1		
	O-ring, Shaft, Top, Black	1		
	O-ring, Shaft, Bottom, Purple	1		
4	Handle Replacement Kit		All	R0442300
	Handle	1		
	Roll Pin, Handle (1")	1		
	Roll Pin, Shaft (¹³ / ₁₆ "	1		
	Lid Union Nut	1		
	Lid O-ring	1		



NOTES



Zodiac Pool Systems, Inc.
2620 Commerce Way, Vista, CA 92081
1.800.822.7933 | www.ZodiacPoolSystems.com

ZODIAC® is a registered trademark of Zodiac International, S.A.S.U., used under license.
All trademarks referenced herein are the property of their respective owners.

©2012 Zodiac Pool Systems, Inc. H0569400 Rev F 1206

