

POOL
MODELS: 206A THRU 406A ATMOSPHERIC

CATALOG NO. 9100.56
Effective: 11-20-13
Replaces: 06-07-12

RAYPAK REPLACEMENT PARTS

MODEL SIZE: 206A, 266A, 336A & 406A

MODEL TYPE:

DATE OF MANUFACTURE: 10-22-04 THRU CURRENT

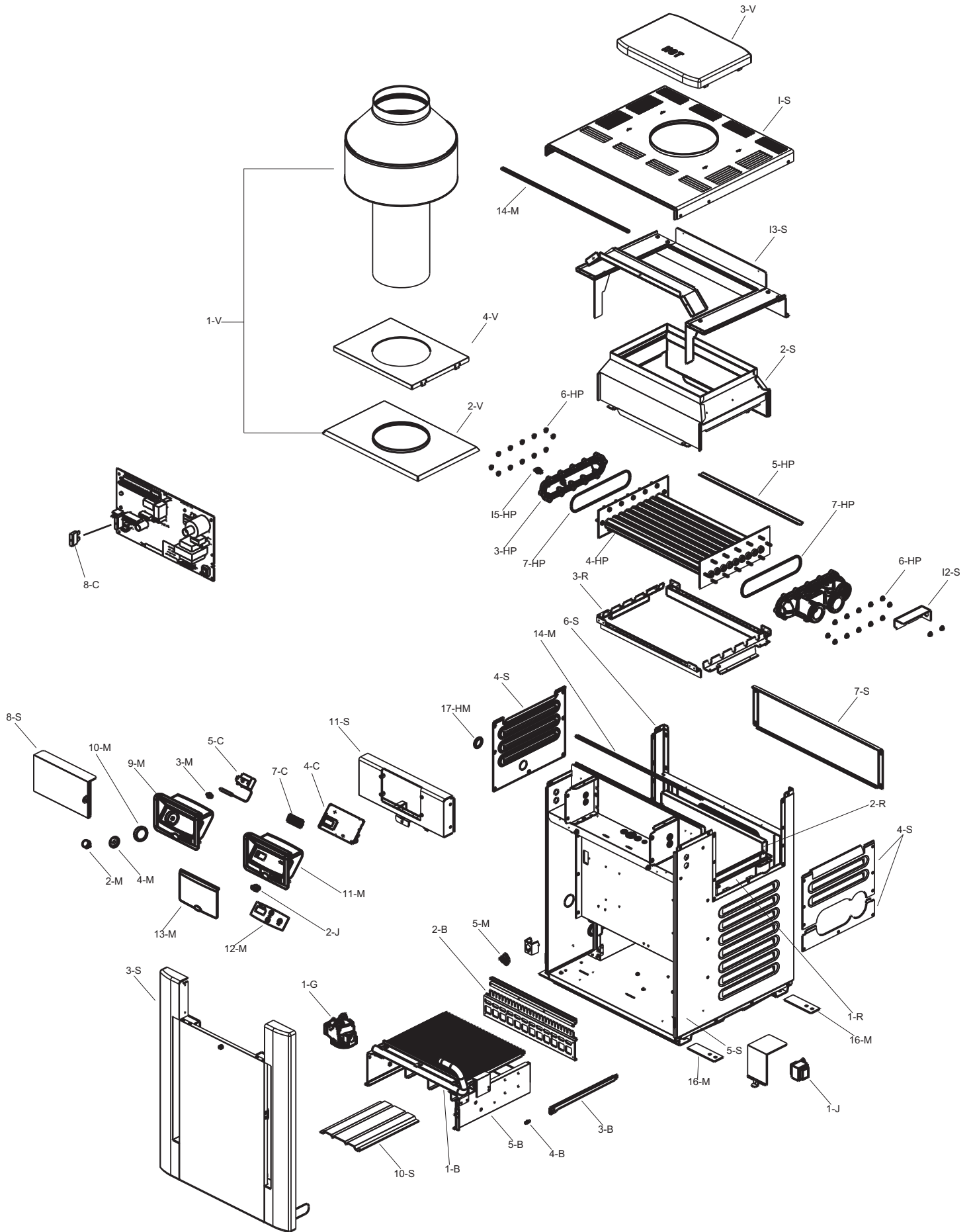
THE PARTS LISTED ARE FOR STANDARD EQUIPMENT FOR THIS MODEL TYPE. RAYPAK RESERVES THE RIGHT TO SUBSTITUTE, DELETE OR CHANGE ANY PART WITHOUT NOTIFICATION. THE ADDITION OF OPTIONS MAY ALSO CHANGE SOME OF THE PARTS. ORDER REPLACEMENT PARTS FROM ACTUAL HEATER COMPONENTS.

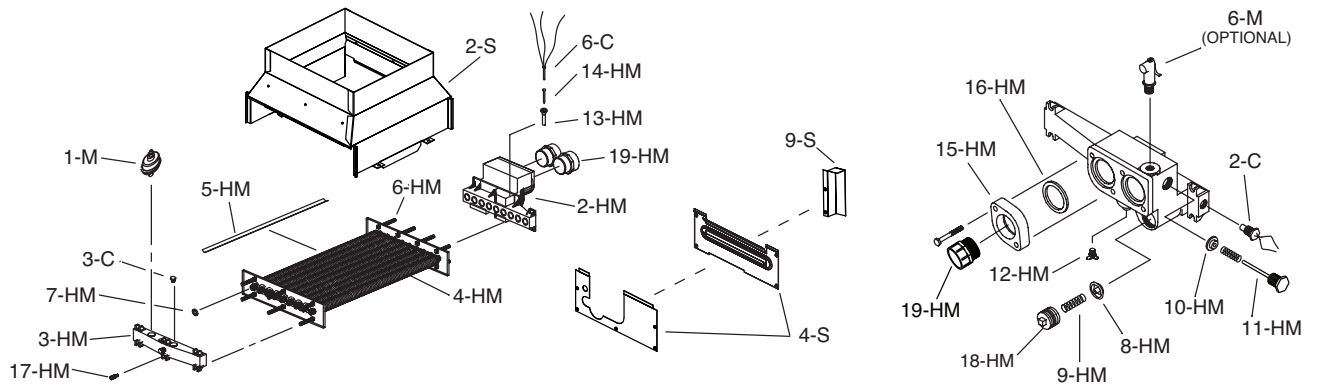


FOR DETAILED INSTRUCTIONS, SEE "HOW TO USE YOUR RAYPAK ILLUSTRATED PARTS LIST",
CATALOG NO. 9001.10

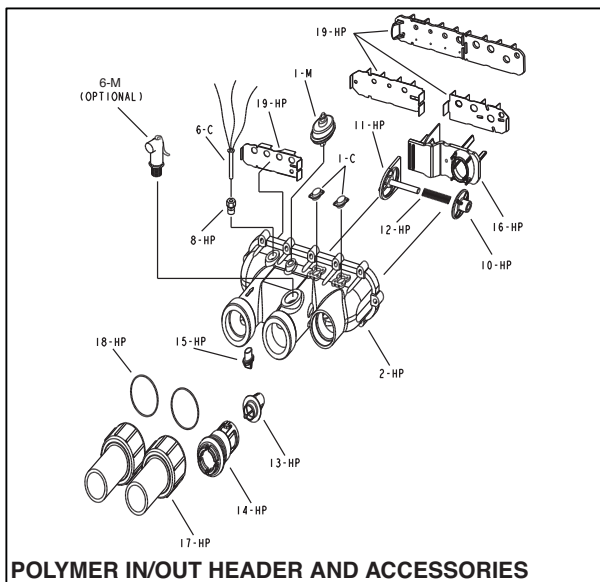


Raypak, Inc., 2151 Eastman Avenue, Oxnard, CA 93030
(805) 278-5300 Fax (800) 872-9725
Litho In U.S.A.

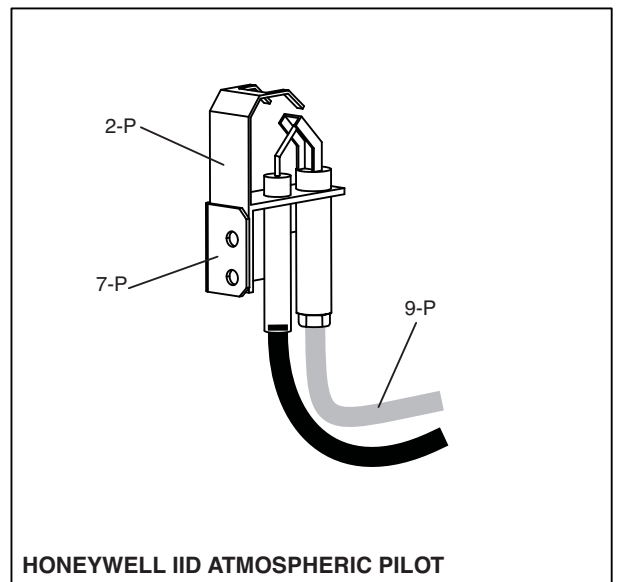




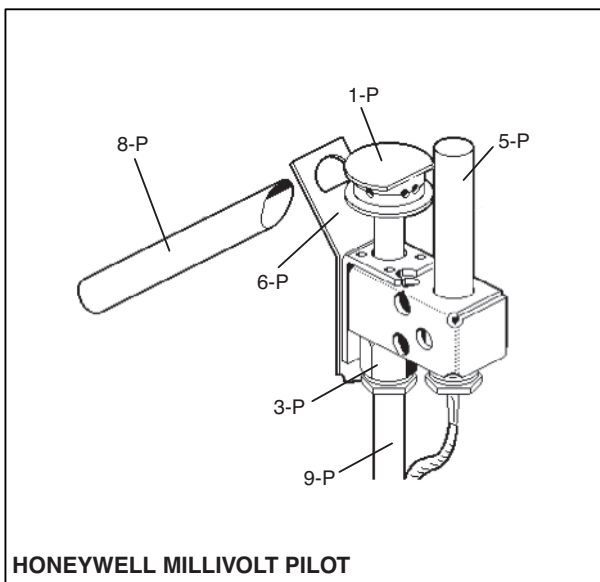
↑ FOR UNITS WITH ASME METAL HEADERS ↑



POLYMER IN/OUT HEADER AND ACCESSORIES



HONEYWELL IID ATMOSPHERIC PILOT



HONEYWELL MILLIVOLT PILOT

CALL OUT	DESCRIPTION	206A	266A	336A	406A
B					
BURNER TRAY					
1-B	Burner Tray w/Burners (sea level)*	010391F	010392F	010393F	010394F
	Burner Tray w/o Burners (sea level)*	010395F	010396F	010397F	010398F
	Burner Tray w/Gas Valve Nat Millivolt	010399F	010400F	010401F	010402F
	Burner Tray w/Gas Valve Pro Millivolt	010403F	010404F	010405F	010406F
	Burner Tray w/Gas Valve Nat IID	010407F	010408F	010409F	010410F
	Burner Tray w/Gas Valve Pro IID	010411F	010412F	010413F	010414F
2-B	Burner Spacer/Hold Down Kit	010415F	010416F	010417F	010418F
3-B	Burner	301210/13	301210/18	301210/22	301210/27
4-B	Burner Orifice				
	Natural Gas				
	Burner Orifice #50*	350079F/13	350079F/18	350079F/22	350079F/27
	Burner Orifice #51*	350080F/13	350080F/18	350080F/22	350080F/27
	Burner Orifice #52*	350081F/13	350081F/18	350081F/22	350081F/27
	Burner Orifice #53*	350347F/13	350347F/18	350347F/22	350347F/27
	Propane Gas				
	Burner Orifice #57*	350083F/13	350083F/18	350083F/22	350083F/27
	Burner Orifice #58*	350087F/13	350087F/18	350087F/22	350087F/27
	Burner Orifice #59*	350350F/13	350350F/18	350350F/22	350350F/27
	Burner Orifice #60*	350351F/13	350351F/18	350351F/22	350351F/27
	Burner Orifice #61*	350352F/13	350352F/18	350352F/22	350352F/27
5-B	Burner Tray w/o Manifold w/o burners	010421F	010422F	010423F	010424F
C					
CONTROLS					
1-C	Thermostat Auto Reset 135 Deg Surface Mount	006725F	006725F	006725F	006725F
2-C	AGS 135° (Auto Gas Shut-Off) - Red Epoxy	600892B	600892B	600892B	600892B
3-C	High Limit 140° - Black Epoxy	600893B	600893B	600893B	600893B
4-C	P. C. Board/Control	013464F	013464F	013464F	013464F
7-C	LCD Display				
	Units manufactured prior to 5/2011	N/A	N/A	N/A	N/A
	Units manufactured From 5/2011	013640F	013640F	013640F	013640F
8-C	Fuse 5 AMP	013733F	013733F	013733F	013733F
5-C	Thermostat Control MV Units Mechanical	003346F	003346F	003346F	003346F
6-C	Temperature Sensor IID Units	009577F	009577F	009577F	009577F
G					
GAS VALVE					
1-G	Combination Valve - Nat. MV	003898F	003898F	003898F	003898F
	Combination Valve - Pro. MV	003899F	003899F	003899F	003899F
	Combination Valve - Nat. IID	003900F	003900F	003900F	003900F
	Combination Valve - Pro. IID	004306F	004306F	004306F	004306F
HP					
HEAT EXCHANGER - POLYMER					
1-HP	Heat Exchange Assy Copper ***	010043F	010044F	010045F	010046F
	Heat Exchange Assy Cupro Nickel ***				
	Units manufactured prior to 7/2013	010356F	010357F	010358F	010359F
	Units manufactured From 7/2013	014926F	014927F	014928F	014929F
2-HP	Inlet/Outlet Header Complete	006827F	006827F	006827F	006827F
	Inlet/Outlet Header (Includes 6-HP)	006706F	006706F	006706F	006706F
3-HP	Return Header (Includes 6-HP)	006707F	006707F	006707F	006707F
4-HP	Tube Bundle Copper ** & ***	010059F	010060F	010061F	010062F
	Tube Bundle Cupro Nickel ** & ***				
	Units manufactured prior to 7/2013	010364F	010365F	010366F	010367F
	Units manufactured From 7/2013	014930F	014931F	014932F	014933F
5-HP	Baffle (Copper Heat Exchanger)	010038F	005261F	010040F	010041F
	Baffle (Cupro Nickel Heat Exchanger)				
	Units manufactured prior to 6/2013	010038F	005261F	010040F	010041F
	Units manufactured From 6/2013	014934F	014935F	014936F	014937F
6-HP	Flange Nut Kit	008259F	008259F	008259F	008259F
7-HP	O Ring Gasket (2)	006713F	006713F	006713F	006713F
8-HP	Sensor Adapter Digital Electronic	006714F	006714F	006714F	006714F
	Sensor Well Millivolt	006805F	006805F	006805F	006805F
9-HP	Bypass Kit	006715F	006715F	006715F	006715F
10-HP	Bypass Valve	006716F	006716F	006716F	006716F
11-HP	Bypass Dam / Shaft	006717F	006717F	006717F	006717F
12-HP	Bypass Spring (All Sizes Included)	006718F	006718F	006718F	006718F
13-HP	Unitherm Governor	006719F	006719F	006719F	006719F
14-HP	Unitherm Governor Plug	006720F	006720F	006720F	006720F
15-HP	Drain Plug	006721F	006721F	006721F	006721F
16-HP	Inlet/Outlet Header Dam	N/A Use 19-HP	N/A Use 19-HP	N/A Use 19-HP	N/A Use 19-HP
17-HP	2" CPVC Connector & Nut (2)	006723F	006723F	006723F	006723F
18-HP	O Ring (2)	006724F	006724F	006724F	006724F
19-HP	Inlet/Outlet Header Baffle w/Header Dam	006826F	006826F	006826F	006826F

*FOR INSTALLATION AT OVER 2,000 FEET ABOVE SEA LEVEL, DERATE 4% PER 1,000 FEET ABOVE SEA LEVEL. Refer to the heater's rating plate.

**WARNING: The Hydraulic conditions or water chemistry that caused the tube bundle to fail have very likely also damaged the bypass valve and Unitherm Governor. We recommend you replace the Unitherm Governor and inspect the bypass assembly. Failure to do so could cause premature failure of this replacement part.

***WARNING: Copper and Cupro Nickel heat exchangers and tube bundles are not interchangeable. Units with suffix "C" must use copper replacement parts and units with suffix "X" must use cupro nickel replacement parts.

CALL OUT	DESCRIPTION	206A	266A	336A	406A
HM	HEAT EXCHANGER - METAL				
1-HM	Heat Exchange Assy.Copper ASME CI	010051F	006727F	010053F	010054F
	Heat Exchange Assy.Cupro Nickel ASME CI	010360F	010361F	010362F	010363F
2-HM	Inlet/Outlet Header ASME CI Complete	006730F	006730F	006730F	006730F
	Inlet/Outlet Header ASME CI	012319F	012319F	012319F	012319F
15-HM	Inlet & Outlet Flange	003766F	003766F	003766F	003766F
16-HM	Flange Gasket 1 1/2" Connections	062236B	062236B	062236B	062236B
	Flange Gasket 2" Connections	800080B	800080B	800080B	800080B
3-HM	Return Header ASME CI	006731F	006731F	006731F	006731F
4-HM	Tube Bundle Copper ASME *	010055F	006733F	010057F	010058F
	Tube Bundle Cupro Nickel ASME *	010368F	010369F	010370F	010371F
5-HM	Baffle	010038F	005261F	010040F	010041F
6-HM	Stud Bolt Kit	007870F	007870F	007870F	007870F
7-HM	Header Gasket (9)	800014B	800014B	800014B	800014B
8-HM	Unitherm Governor	062234B	062234B	062234B	062234B
9-HM	U.G. Retainer Spring	013792F	013792F	013792F	013792F
18-HM	U.G. Plug	013738F	013738F	013738F	013738F
10-HM	Bypass Valve	062235B	062235B	062235B	062235B
11-HM	Bypass Spring	850252	013794F	013794F	013794F
12-HM	Drain Valve	013793F	013793F	013793F	013793F
13-HM	Sensor Well	003765F	003765F	003765F	003765F
14-HM	Well Retaining Clip	300203	300203	300203	300203
17-HM	Rear Drain Plug & Cover	005264F	005264F	005264F	005264F
19-HM	Adapter CPVC 2"	005393F	005393F	005393F	005393F
J	CONTROL BOX				
1-J	Transformer 120/240/24V	006736F	006736F	006736F	006736F
2-J	Rocker Switch	009493F	009493F	009493F	009493F
M	MISCELLANEOUS COMPONENTS				
1-M	Pressure Switch 1.75 PSI	006737F	006737F	006737F	006737F
	Pressure Switch 11 PSI Special-See Water Pressure Switch Adj.	009133F	009133F	009133F	009133F
2-M	Thermostat Knob	009499F	009499F	009499F	009499F
3-M	Thermostat Shaft MV	800307	800307	800307	800307
4-M	Knobstop	006886F	006886F	006886F	006886F
5-M	Thermal Fuse	005899F	005899F	005899F	005899F
6-M	PRV 125 PSI (Optional)	008091F	007224F	007224F	007224F
7-M	Delimiting Kit	052871F	052871F	052871F	052871F
8-M	Wire/Harness Millivolt	010386F	010386F	010386F	010386F
	Wire/Harness IID	009490F	009490F	009490F	009490F
9-M	Control Bezel MV (Includes Dial Decal)	009489F	009489F	009489F	009489F
10-M	Dial Decal MV	009858F	009858F	009858F	009858F
11-M	Control Bezel (Includes Switch Decal)				
	Units manufactured prior to 5/2011	009491F	009491F	009491F	009491F
	Units manufactured From 5/2011	013491F	013491F	013491F	013491F
12-M	Switch/Decal-Membrane				
	Units manufactured prior to 5/2011	009492F	009492F	009492F	009492F
	Units manufactured From 5/2011	013492F	013492F	013492F	013492F
13-M	Control Bezel Cover	009487F	009487F	009487F	009487F
14-M	Gasket Insulation (Swaybrace & Jacket Top)	010350F	010350F	010350F	010350F
15-M	Touch-up Paint				
	Green	750125	750125	750125	750125
	Dark Gray	750126	750126	750126	750126
	Cool Dark Gray	750256	750256	750256	750256
	Warm Dark Gray	750258	750258	750258	750258
16-M	Tie Down Bracket (Optional)	011636	011636	011636	011636
17-M	Texas Code Add/On (ASME Only)	012011	012011	012011	012011
P	PILOT				
1-P	Pilot Nat. MV	600525B	600525B	600525B	600525B
	Pilot Pro. MV	600575B	600575B	600575B	600575B
2-P	Pilot Nat & Pro IID	002003F	002003F	002003F	002003F
3-P	Pilot Orifice Nat. MV	003901F	003901F	003901F	003901F
	Pilot Orifice Pro. MV	003902F	003902F	003902F	003902F
4-P	Pilot Orifice Nat. IID .020	003903F	003903F	003903F	003903F
	Pilot Orifice Pro. IID .012	004308F	004308F	004308F	004308F
5-P	Pilot Generator MV	600019B	600019B	600019B	600019B
6-P	Pilot MTG Bracket MV	010352F	010352F	010352F	010352F
7-P	Pilot Mounting Bracket IID	306692	306692	306692	306692
8-P	Lighter Tube (MV Units Only)	062996	062996	062996	062996
9-P	Pilot Tube	004078F	004078F	004078F	004078F
10-P	Hi Tension Wire IID with Pilot Electrode	007864F	007864F	007864F	007864F
11-P	Pilot Shield	010351F	010351F	010351F	010351F
R	REFRACTORY				
1-R	Refractory Common Lt & Rt	010088F	010088F	010088F	010088F
2-R	Refractory Uncommon (Front & Rear)	010089F	010090F	010091F	010092F
3-R	Refractory Retainer Kit	010387F	010388F	010389F	010390F

*WARNING: The Hydraulic conditions or water chemistry that caused the tube bundle to fail have very likely also damaged the bypass valve and Unitherm Governor. We recommend you replace the Unitherm Governor and inspect the bypass assembly. Failure to do so could cause premature failure of this replacement part.

CALL OUT S	DESCRIPTION	206A	266A	336A	406A
	SHEETMETAL				
1-S	Jacket Top (Louvered)	010047F	010048F	010049F	010050F
2-S	Flue Collector (Units with Polymer Header)	010071F	010072F	010073F	010074F
	Flue Collector (Units with Metal Header)	010075F	010076F	010077F	010078F
3-S	Door Assy				
	Raypak				
	Green	010378F	010379F	010380F	010381F
	Cool Dark & Warm Dark Gray	013859F	013860F	013861F	013862F
	Rheem				
	Green	010382F	010383F	010384F	010385F
	Cool Dark & Warm Dark Gray	013863F	013864F	013865F	013866F
	Ruud				
	Green	010382F	010383F	010384F	010385F
	Warm Dark Gray (Units manufactured prior to 9/2012)	013867F	013868F	013869F	013870F
	Cool Dark & Warm Dark Gray (Units mfd after to 9/2012)	013859F	013860F	013861F	013862F
4-S	Access Panel Set (3 Pcs Units with Polymer Header)	010311F	010311F	010311F	010311F
	Access Panel Set (3 Pcs. Units with Metal Header)	010312F	010312F	010312F	010312F
5-S	Jacket Side Panel Right	010376F	010376F	010376F	010376F
6-S	Jacket Side Panel Left	010377F	010377F	010377F	010377F
7-S	Jacket Rear Panel (2 Pcs.)	010372F	010373F	010374F	010375F
8-S	Poolstat Cover/Lock	009505	009505	009505	009505
9-S	High Limit Cover	010319F	010319F	010319F	010319F
10-S	Base Heat Shield	010320F	010320F	010320F	010320F
11-S	Up Front Control Panel				
	Green	010321F	010322F	010323F	010324F
	Cool Dark Gray	013887F	013888F	013889F	013890F
	Warm Dark Gray	013891F	013892F	013893F	013894F
12-S	High Limit Shield	010342F	010342F	010342F	010342F
13-S	Weather Shield	010325F	010326F	010327F	010328F
	VENTING				
1-V	Indoor Stack Kit (Includes inner adapter panel)	009838	009839	009840	009841
	Outdoor Stack Kit (Includes inner adapter panel)	009834	009835	009836	009837
2-V	Stack Adapter	010330F	010331F	010332F	010333F
4-V	Outer Stack Adapter	011461F	011462F	011463F	011464F
3-V	"Pagoda" Top				
	Green	010334	010335	010336	010337
	Cool Dark Gray	013883F	013884F	013885F	013886F
	Atmospheric CONVERSION KITS*				
	Gas Conversions				
	Nat. to Pro. MV Pilot	004690B	004690B	004692B	004692B
	Pro. to Nat. MV Pilot	010419F	010419F	010420F	010420F
	Nat. to Pro. IID Pilot	**	**	**	**
	Pro. to Nat. IID Pilot	**	**	**	**

* Gas conversions are to be done only by a qualified agency.

** Conversion must be made with complete burner tray and gas valve (see item 1-B).



Registered Quality Management System

www.raypak.com