

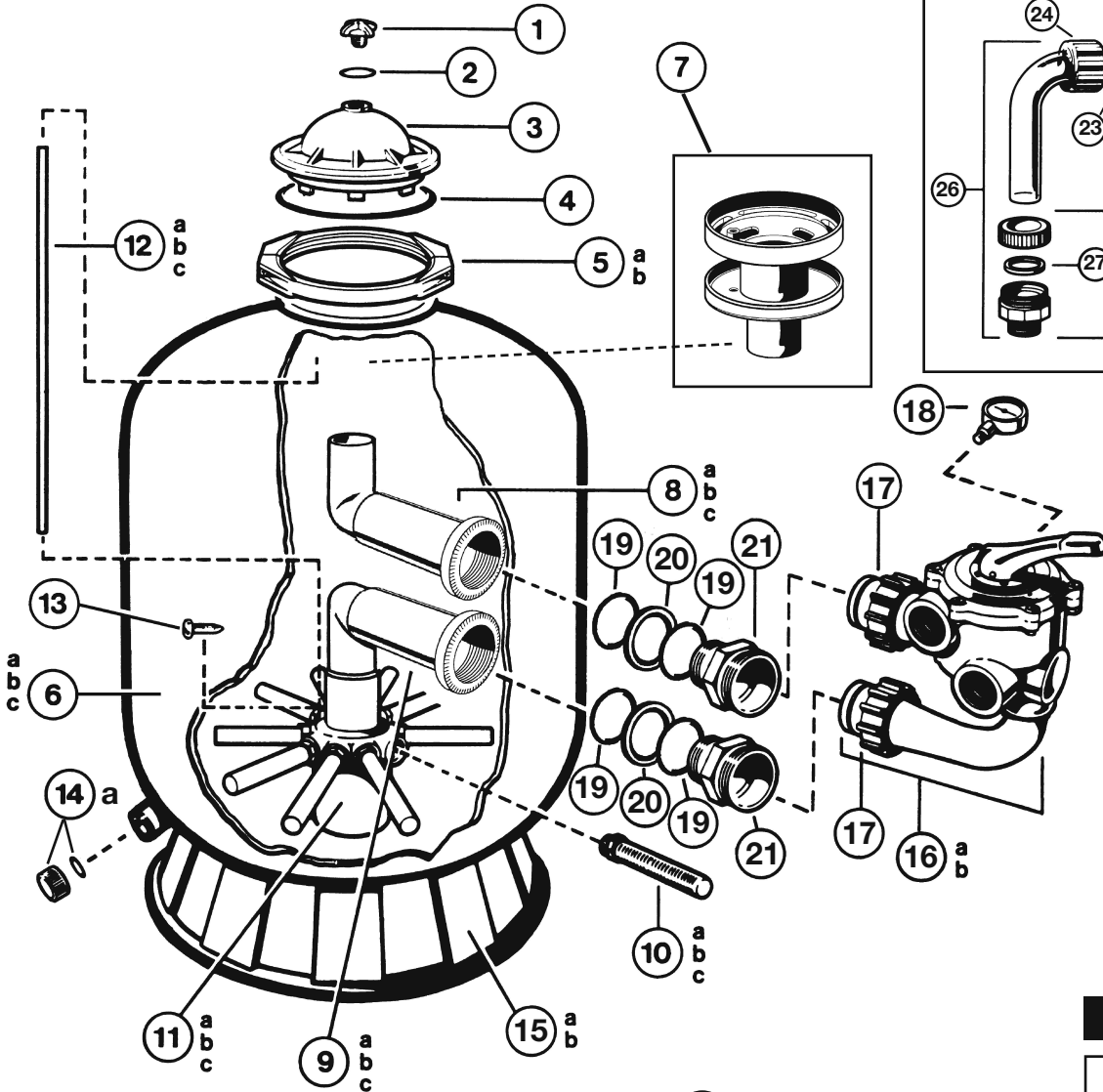


Pro Series™

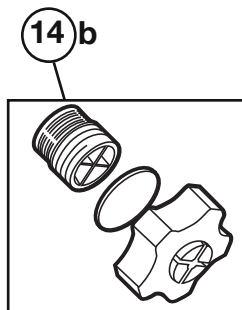
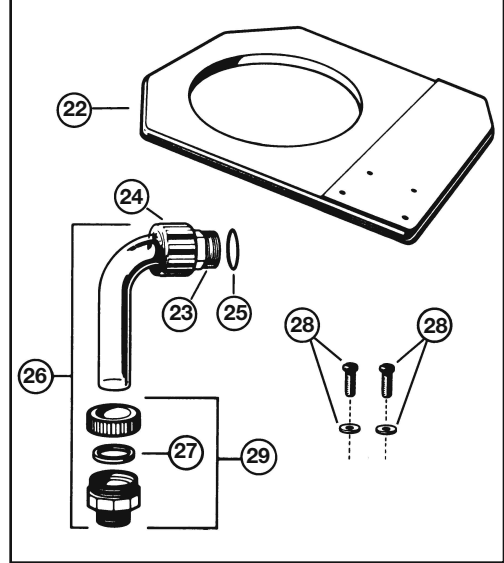
S210S, 244S, 310S SAND FILTER SERIES REPLACEMENT PARTS

Parts Diagram

Filters



SYSTEM BASE ASSEMBLY



Drain Cap Kit

Folding Lateral Assembly

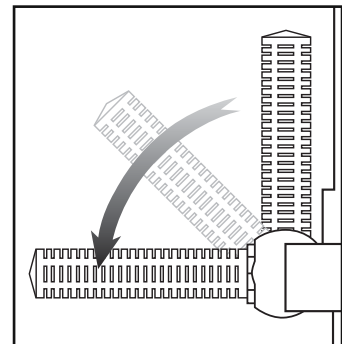


Diagram A



Parts Listing

Ref. No.	Part No.	Description	Ctn Qty.	No. Req'd
1	SX200G	Manual Air Relief	10	1
2	SX200Z5	O-Ring	10	1
3	SX244K	Top Closure Dome	5	1
4	GMX600F	Tank O-Ring	10	1
5a	GMX600NM	Flange Clamp (S210S, S244S)	20	1
5b	SX310N	Flange Clamp (S310S)	5	1
6a	SX210AA2FW	Filter Tank (S210S)	1	1
6b	SX244AA2FW	Filter Tank (S244S)	1	1
6c	SX310AA2FW	Filter Tank (S310S)	1	1
7	SX244G	Top Diffuser Assembly	5	1
8a	SX210CD1FW	Top Elbow Assembly, S210S	5	1
8b	SX244CD1FW	Top Elbow Assembly, S244S	5	1
8c	SX310CD2FW	Top Elbow Assembly, S310S	5	1
9a	SX210CD2FW	Bottom Elbow Assembly, S210S	5	1
9b	SX244CD2FW	Bottom Elbow Assembly, S244S	5	1
9c	SX310CD2FW	Bottom Elbow Assembly, S310S	5	1
10a	SX200QN	Lateral (S210S)	10	10
10b	SX240DN	Lateral (S244S)	10	10
10c	SX310HN	Lateral (S310S)	10	10
11a	SX242MA	Folding Umbrella Lateral Holder Assembly (S210S, 1997-) See Diagram A	5	1
11b	SX242MA1	Folding Umbrella Lateral Holder Assembly (S244S, 1999-) See Diagram A	5	1
11c	SX242MA2	Folding Umbrella Lateral Holder Assembly (S310S, 1999-) See Diagram A	5	1
12a	CX3000Z2	Plastic Air Tube (S210S)	5	1
12b	CX1100Z4	Plastic Air Tube (S244S)	5	1
12c	SX200Z1	Plastic Air Tube (S310S)	5	1
13	SX200Z2	Air Tube Lock Screw	25	1
14a	SX180HG	Drain Cap Kit (2005 and Prior)	25	1
—	SX200H	Bottom Drain Screen (2005 and Prior)	10	1
14b	SX180LA	Drain Cap Kit (See Diagram)	25	1
15a	SX200J	Filter Support Stand (S210S, S244S)	1	1
15b	SX310J	Filter Support Stand (S310S)	1	1
16a	SP0710X62	Vari-Flo Valve Assembly – 1 1/2" FIP	1	1
16b	SP0715X62	Vari-Flo Valve Assembly – 2" FIP	1	1
17	SX200Z4	O-Ring	10	2
18	ECX270861	Pressure Gauge	10	1
19	SX360Z1	O-Ring	20	4
20	SX360E	O-Ring Spacer (after 1995)	10	2
21	SX244P	Bulkhead Fitting (after 1996)	10	2

S200PAK 3 System Base

22	ECX1291	Standard Pump/Filter Mounting Base	2	1
23	SPX1480A	Union Ball End	10	1
24	SPX1480C	Union Nut	10	1
25	SPX1425Z6	O-Ring	10	1
26	SPX1485B3	Union Elbow with Compression Assembly	5	1
27	SPX1485G	Compression Gasket	10	1
28	ECX1161Z2	Mounting Screw Set with Washers	10	2
29	SPX1485DA	Compression Fitting with Gasket	25	1

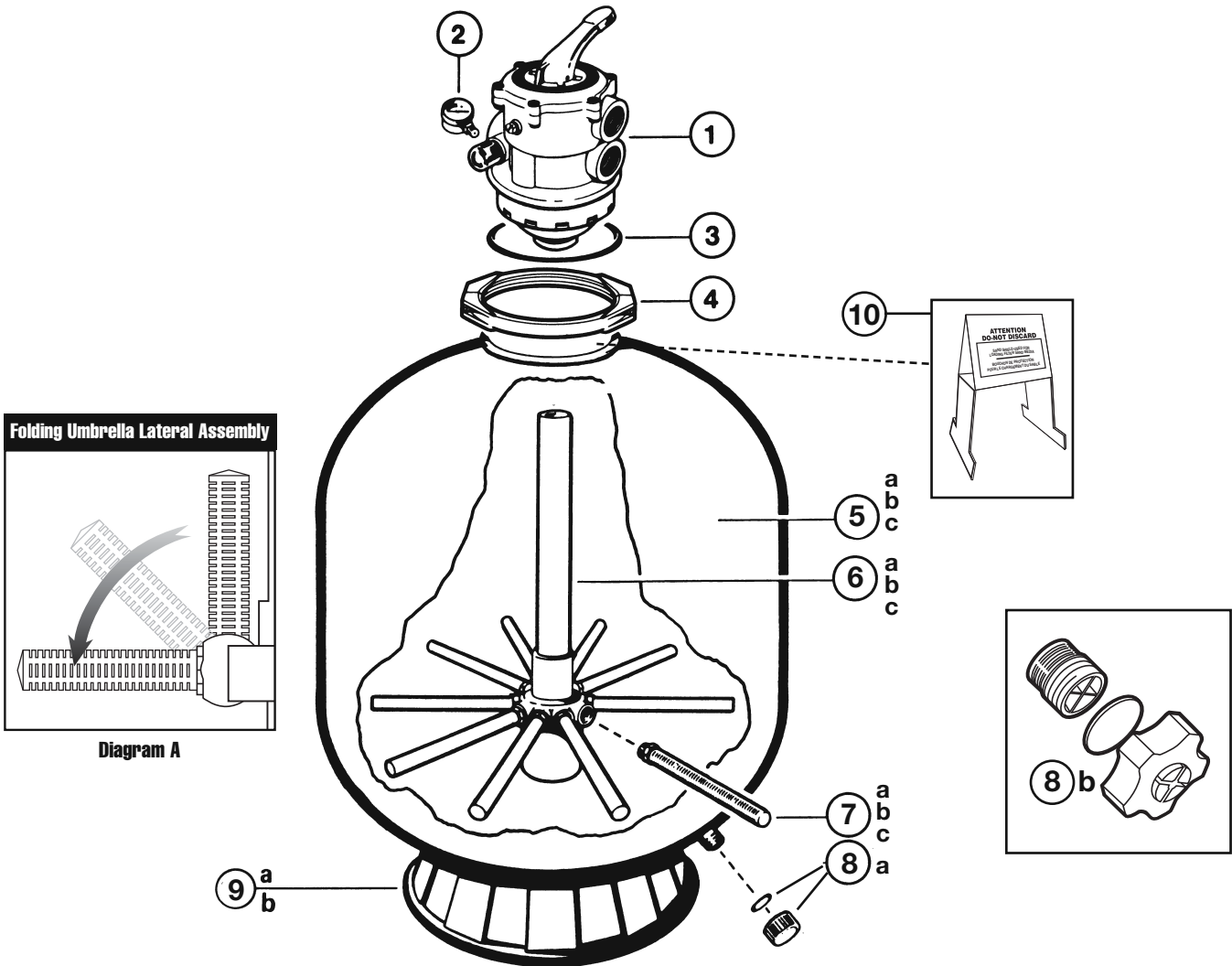


Pro Series™

S270T2, S310T2, S360T2 SAND FILTER SERIES REPLACEMENT PARTS

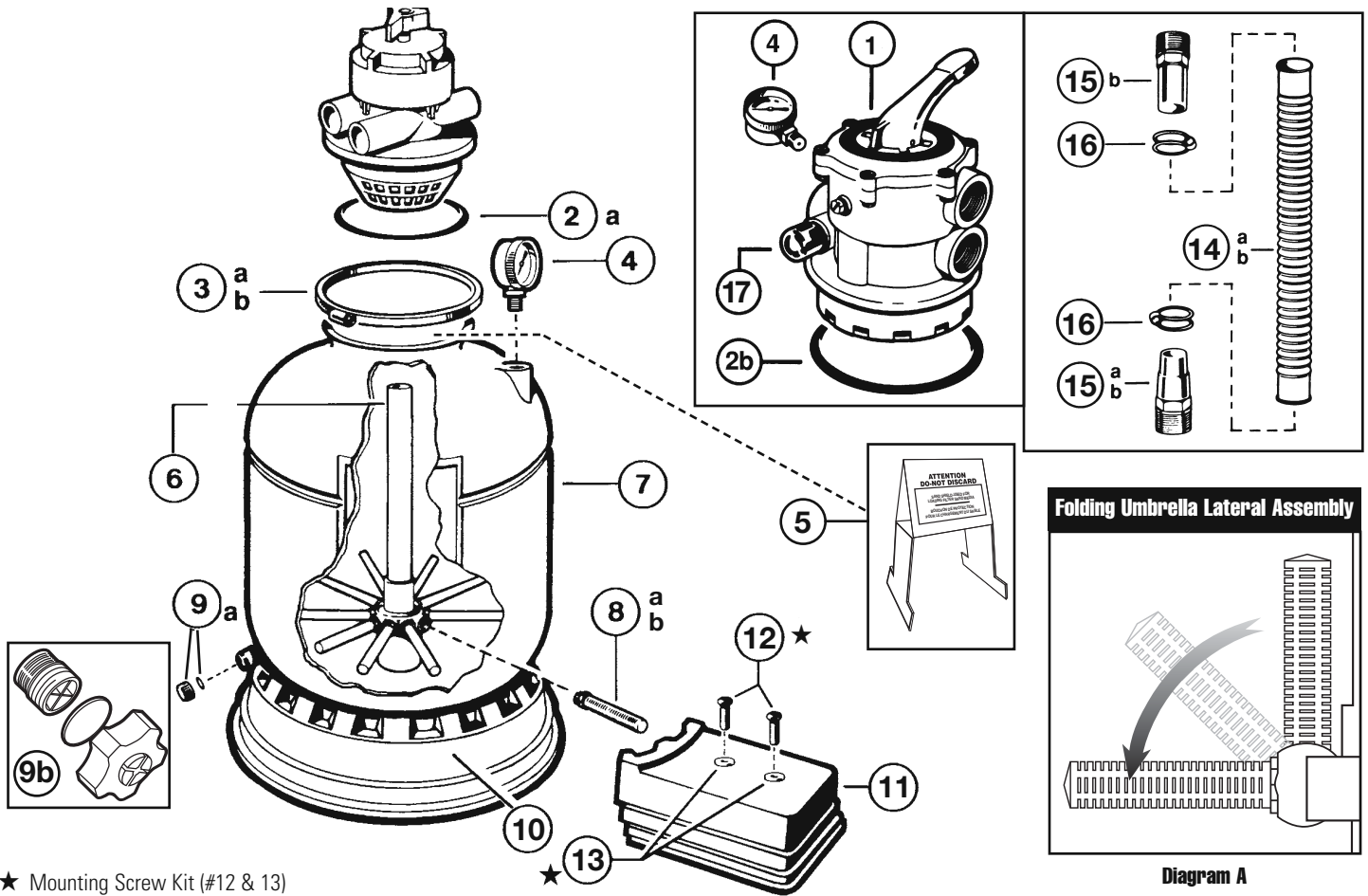
Parts Diagram and Parts Listing

Filters



Ref. No.	Part No.	Description	Ctn. Qty.	No. Req'd
1	SP071621	Vari-Flo Control Valve – 2"	1	1
2	ECX271261	Pressure Gauge Back Mount	10	1
3	GMX600F	Tank O-Ring	10	1
4	GMX600NM	Flange Clamp	5	1
5a	SX270AA1	Filter Tank With Skirt, Drain and Lateral Assembly (S270T)	1	1
5b	SX310AA1	Filter Tank With Skirt, Drain and Lateral Assembly (S310T)	1	1
5c	SX360AA2	Filter Tank With Skirt, Drain and Lateral Assembly (S360T)	1	1
6a	SX244DA	Folding Lateral Assembly with Center Pipe (S270T)	1	1
6b	SX310DA2	Folding Lateral Assembly with Center Pipe (S310T)	1	1
6c	SX360DA	Folding Lateral Assembly with Center Pipe (S360T)	1	1
7a	SX240DN	Lateral (S270T)	10	10
7b	SX310HA	Threaded Lateral (S310T, S360T) (2004 and Prior)	10	10
7c	SX310HN	Lateral (S310T, S360T)	10	10
8a	SX180HG	Drain Cap (2005 and Prior)	25	1
8b	SX180LA	Drain Cap Kit (see Diagram)	25	1
—	SX200H	Bottom Drain Screen (2005 and Prior)	10	1
9a	SX200J	Filter Support Stand (S270T)	1	1
9b	SX310J	Filter Support Stand (S310T, S360T)	1	1
10	SX202S	Sand Shield	25	1

Parts Diagram and Parts Listing



★ Mounting Screw Kit (#12 & 13)

Diagram A

Ref. No.	Part No.	Description	Ctn. Qty.	No. Req'd
1	SP0714T*	Vari-Flo Control Valve 7-position (S144T)	1	1
2a	GMX400F	Valve/Tank O-Ring (S140T)	10	1
2b	GMX600F	Valve/Tank O-Ring (S144T)	10	1
3a	GMX400K	Flange Clamp – Valve – Tank (S140T)	5	1
3b	GMX600NM	Flange Clamp – Valve – Tank (S144T)	5	1
4	ECX270861	Pressure Gauge	10	1
5	SX202S	Sand Shield – 2004 Corrugated Design	25	1
6	SX144DA	Folding Umbrella Lateral Assembly with Center Pipe (S144T) (1997 and after)	1	1
7	SX144AA1	Filter Tank with Skirt, Lateral Assembly, Drain (S144T)	1	1
8a	SX200S	Lateral (2004 and Prior)	25	10
8b	SX200SN	Lateral (One Piece) with Hub – See Diagram A	25	10
9a	SX180HG	Drain Cap Kit (2005 and Prior)	25	1
9b	SX180LA	Drain Cap Assembly, Gasket, Screen	25	1
—	SX200H	Bottom Drain Screen (2005 and prior)	10	1
10	SX164B	Filter Support Stand (Skirt)	2	1
11	SX164C	Pump Base	2	1
12	ECX1108A	5/16" x 3/4" Mounting Screw and 5/16" Washer (2) Kit	10	1
13	ECX1109	5/16" Washer	10	2
★	ECX1108A	5/16" x 3/4" Mounting Screws (2) and 5/16" Washers (2) Kit (Includes 12 & 13)	25	1
14a	GMX142Z15	1 1/4" Hose – Ribbed (S140T)	5	1
14b	SX144Z1	1 1/2" Hose – Ribbed (S144T)	5	1
15a	SPX1091Z7	1 1/2"/1 1/4" Combo Hose Adapter (S140T)	50	1
15b	SPX1091Z4	1 1/2" Straight Hose Adapter (S144T)	25	2
16	SPX1091Z6	Hose Clamp	10	2
17	SPX0710MA	Sight Glass for SP0714T Valve	10	1

NOTE: *SP0714T Vari-Flo Control Valve used as replacement for GM600 Valve.



Pro Series™

S180T, 210T, 220T, 220T2, 230T, 244T, 244T2, S270T SAND FILTER SERIES REPLACEMENT PARTS

Parts Diagram

Filters

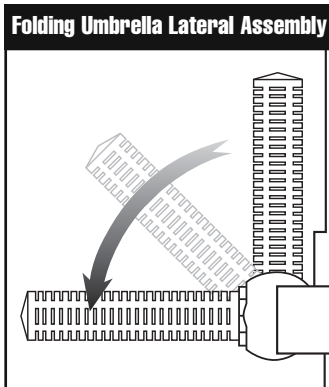
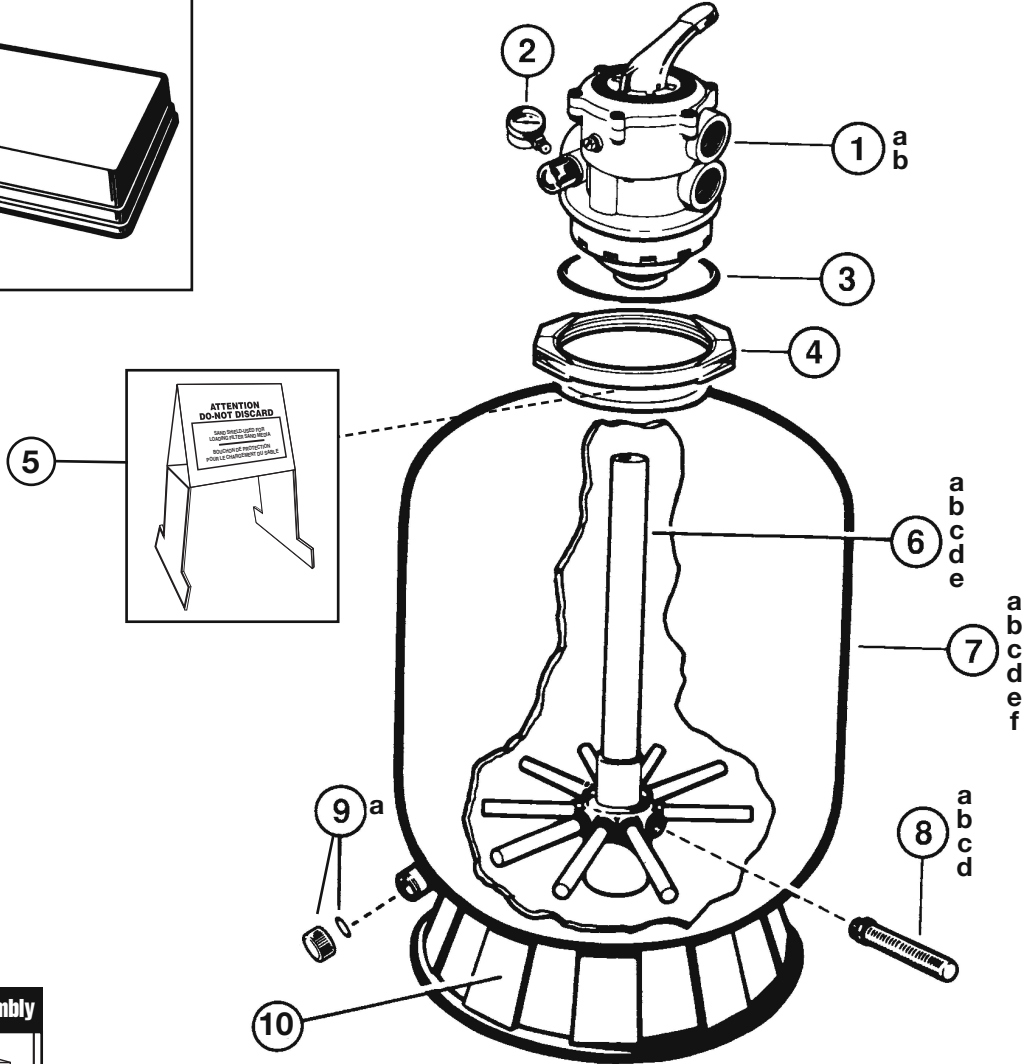
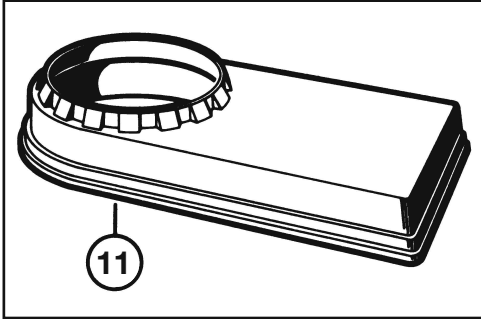
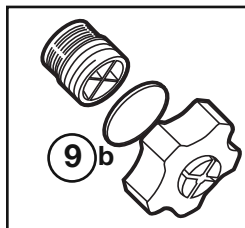


Diagram A



Parts Listing

Ref. No.	Part No.	Description	Ctn. Qty.	No. Req'd
1a	SP0714T	Vari-Flo XL Control Valve – 1 1/2"	1	1
1b	SP071620T	Vari-Flo XL Control Valve – 2"	1	1
2	ECX270861	Pressure Gauge	10	1
3	GMX600F	Valve/Tank O-Ring	10	1
4	GMX600NM	Flange Clamp	5	1
5	SX202S	Sand Shield – 2004 Corrugated Design	25	1
6a	SX180DA	Folding Umbrella Lateral Assembly with Center Pipe (S180T) (1997-)	1	1
6b	SX210DA	Folding Umbrella Lateral Assembly with Center Pipe (S210T) (1997-)	1	1
6c	SX220DA	Folding Umbrella Lateral Assembly with Center Pipe (S220T) (1997-)	1	1
6d	SX230DA	Folding Umbrella Lateral Assembly with Center Pipe (S230T) (2003-)	1	1
6e	SX244DA	Folding Umbrella Lateral Assembly with Center Pipe (S244T, S270T) (1997-)	1	1
7a	SX180AA2	Filter Tank with Skirt, Drain, Lateral Assembly (S180T)	1	1
7b	SX210AA1	Filter Tank with Skirt, Drain, Lateral Assembly (S210T)	1	1
7c	SX220AA1	Filter Tank with Skirt, Drain, Lateral Assembly (S220T)	1	1
7d	SX230AA1	Filter Tank with Skirt, Drain (S230T)	1	1
7e	SX244AA1	Filter Tank with Skirt, Drain, Lateral Assembly (S244T)	1	1
7f	SX270AA1	Filter Tank with Skirt, Lateral Assembly (S270T)	1	1
8a	SX200Q	Lateral (S180T) (2004 and Prior)	10	10
8b	SX240D	Lateral (S210T, S220T, S230T, S244T) (2004 and Prior)	10	10
8c	SX200QN	Lateral (One Piece) with Hub – See Diagram A	10	10
8d	SX240DN	Lateral (One Piece) with Hub – See Diagram A	10	10
9a	SX180HG	Drain Cap Kit (2005 and Prior)	25	1
9b	SX180LA	Drain Cap Assembly – Cap, Gasket, Screen	1	1
—	SX200H	Bottom Drain Screen (2005 and Prior)	10	1
10	SX200J	Filter Support Stand (Skirt)	1	1
11	SX180K	System Base – S180T Systems	1	1

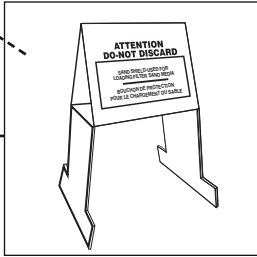
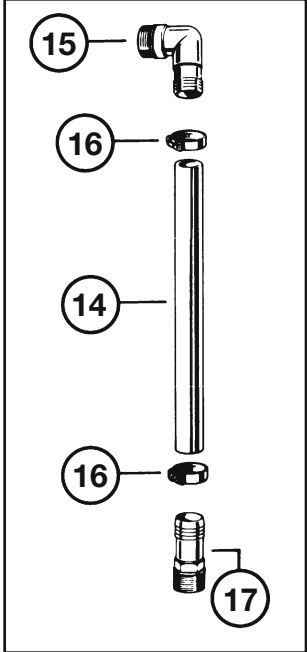
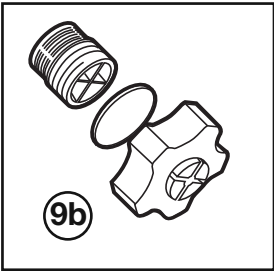
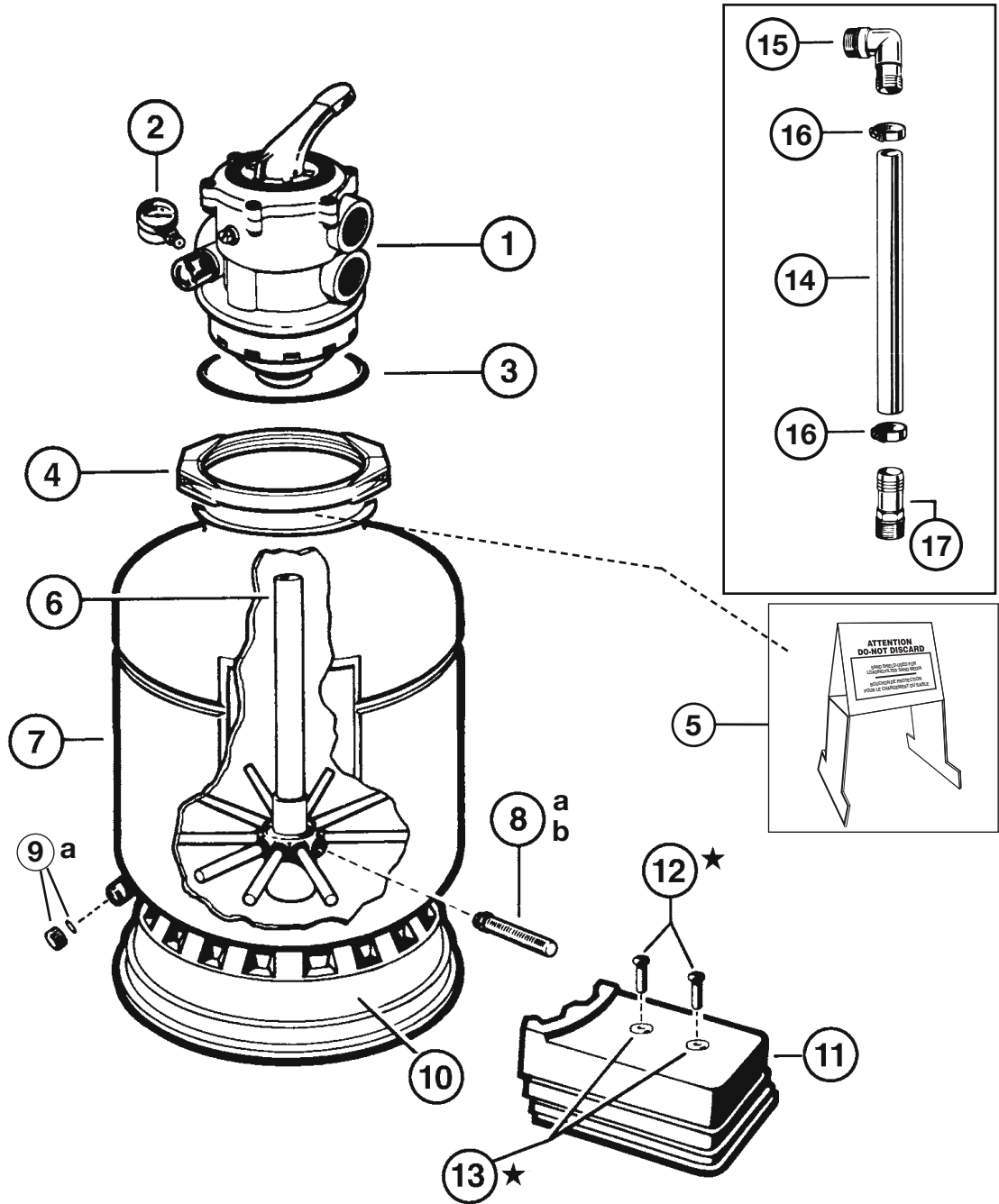


Pro Series™

S164T, S166T SAND FILTER SERIES REPLACEMENT PARTS

Parts Diagram

Filters



Folding Umbrella Lateral Assembly

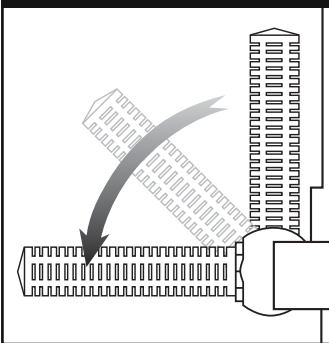


Diagram A

★ Mounting Screw Kit (#12 & 13)



Filters

Parts Listing

Ref. No.	Part No.	Description	Ctn. Qty.	No. Req'd
1	SP0714T*	Vari-Flo XL Control Valve – 6 position	1	1
2	ECX270861	Pressure Gauge	10	1
3	GMX600F	Valve/Tank O-Ring	10	1
4	GMX600NM	Flange Clamp (Valve-Tank)	5	1
5	SX202S	Sand Shield	25	1
6	SX164DA	Folding Umbrella Lateral Assembly with Center Pipe (1997-)	1	1
7	SX164AA1	Filter Tank with Skirt, Drain and Lateral Assembly	1	1
8a	SX200Q	Lateral, Threaded (2004 and Prior)	10	10
8b	SX200QN	Lateral, One Piece with Ball (See Diagram A)	10	10
9a	SX180HG	Drain Cap Kit – Cap and Gasket (2005 and Prior)	25	1
—	SX200H	Bottom Drain Screen (2005 and Prior)	10	1
9b	SX180LA	Drain Cap Assembly – Cap, Gasket, Screen	1	1
10	SX164B	Filter Support Stand (Skirt)	1	1
11	SX164C	Pump Base	2	1
—	SX180K	System Base (S166T Series 1999-)	2	1
12	ECX1108	5/16" x 3/4" Mounting Screw and 5/16" Washer (2) Kit	10	1
13	ECX1109	5/16" Washer	10	2
★	ECX1108A	5/16" x 3/4" Mounting Screws (2) and 5/16" Washers (2) Kit (Includes #12 & 13)	25	1
14	SX160Z5	22" Long Hose	5	1
15	SPX1105Z4	1 1/2" Elbow Hose Adapter	50	1
16	ECX18028	Hose Clamp	10	2
17	SPX1091Z2	1 1/2" Straight Hose Adapter	50	1

NOTE: *SP0714T Vari-Flo Control Valve used as replacement for SP0704 Valve.