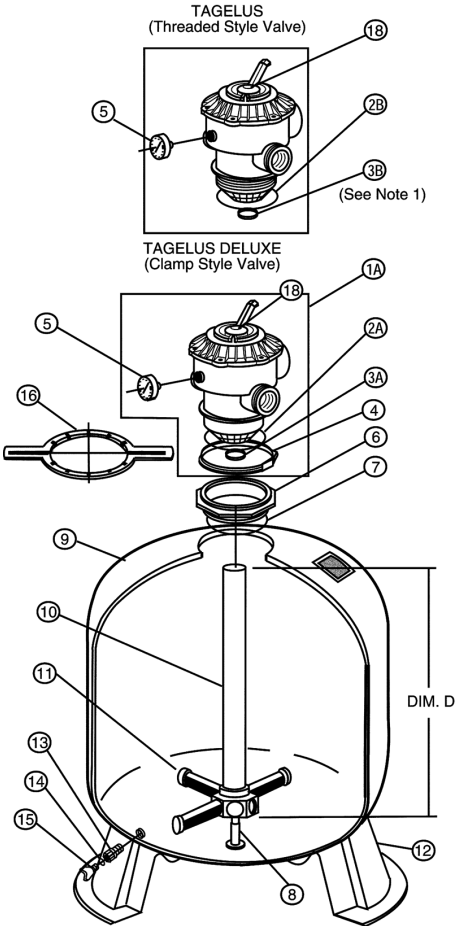


# TAGELUS FILTERS REPLACEMENT PARTS

## REPLACEMENT PARTS



### TAGELUS FILTERS WITH THD. & CLAMP VALVES

Item No.	Part No.	Description
1A	262506	Valve ,1-1/2 in. 6-way clamp style <sup>1, 4, 6, 8, 10</sup>
1A	261185	Valve, 2 in. 6-way clamp style <sup>11A, 11B</sup>
1B	261130	Valve, 1-1/2 in. 6-way btr. thread TA, <sup>16</sup>
1B	261124	Valve, 1-1/2 in. 6-way "V" thread-TA <sup>17</sup>
2A	272541	O-ring valve body, 3/16 in. x 4-3/4 in. i.d. <sup>2, 4, 6, 8, 10</sup>
2A	275333	O-ring valve body, 3/16 in. x 6-1/2 in. i.d. <sup>11A, 11B</sup>
2B	154493	O-ring valve body, 0.157 in. x 5.75 in. i.d. <sup>1, 3, 5, 7, 9</sup>
3A	355330	O-ring standup, 1/8 in. x 2-3/8 in. i.d. <sup>11A, 11B</sup>
3B	155064	O-ring standup , 1/8 in. x 1-7/8 in. i.d. <sup>1, 3, 5, 7, 9, 12</sup>
4	152165	Clamp 6-1/2 in. dia SS, plastic <sup>2, 4, 6, 8, 10</sup>
4	152130	Clamp 8.35 in. dia <sup>11A, 11B</sup>
5	190059	Gauge, pressure back mount
6	154555	Adapter 6 in. btr. thread <sup>2, 4, 6, 8, 10, 15, 18</sup>

6 155225 Adapter 6 in. "V" thread<sup>2, 6, 8, 10, 15, 19</sup>

6 154521 Adapter 8-1/2 in. btr. thread<sup>11A, 11B</sup>

7 154494 O-ring valve adapter, .157 in. x 5.75 in. i.d.<sup>2, 4, 6, 8, 10</sup>

7 355619 O-ring, valve adapter, 1/8 in. x 8-1/4 in. i.d.<sup>11A, 11B</sup>

8 155002 Stabilizer, center pipe

9 155276 Tank & ft. assembly w/valve adptr.<sup>6, 13, 18, 19</sup>

9 155279 Tank & ft. assembly w/valve adptr.<sup>8, 13, 18, 19</sup>

9 155269 Tank & ft. assembly w/valve adptr.<sup>10, 13, 18, 19</sup>

9 155324 Tank & ft. assembly w/valve adptr.<sup>11A, 11B, 13, 18, 19</sup>

9 155342 Tank & ft. assembly btr. thread style<sup>5, 16, 17</sup>

9 155343 Tank & ft. assembly btr. thread style<sup>7, 16, 17</sup>

9 155358 Tank & ft. assembly btr. thread style<sup>9, 16, 17</sup>

10 155060 Piping assembly, (dim. D = 12-7/8 in.)<sup>1, 2</sup>

10 153455 Piping assembly, (dim. D = 14-7/8 in.)<sup>3, 4</sup>

10 155061 Piping assembly, (dim. D = 17-3/4 in.)<sup>5, 6</sup>

10 155062 Piping Assembly dim. D = 19-7/8 in.<sup>7, 8</sup>

10 155063 Piping assembly, (dim. D = 22-5/8 in.)<sup>9, 10</sup>

10 155340 Piping assembly, less hub, (dim. D = 27-1/4 in.)<sup>11A, 11B</sup>

10 155323 Piping assembly, w/hub, (dim. D = 27-1/4 in.)<sup>11A, 11B</sup>

11 155007 Lateral 5-11/32 in. long, 8 req.<sup>1, 2, 3, 4</sup>

11 152202 Lateral, 9-1/8 in. long<sup>11A, 11B</sup>

11 150085 Lateral 1/4 turn, 6 req.<sup>10, 20</sup>

11 150088 Lateral ClearPro - 6 req

12 154926 Foot Tank<sup>3, 5, 7, 9, 4, 6, 8, 10</sup>

12 154596 Foot tank<sup>11A, 14</sup>

13 154698 Spigot, 3/4 in. NPT sand drain<sup>2, 4, 6, 8, 10</sup>

13 154685 Spigot, 1/2 in. NPT sand drain<sup>1, 3, 5, 7, 9</sup>

13 152220 Spigot, 2 in. NPT sand drain<sup>11A</sup>

14 192115 Drain Plug O-Ring (2 req.) , 1/16 in. x 1/2 in. i.d.

14 154871 O-ring , drain plug TA100

15 154699 Plug ,1/4 in. NPT drain

16 154512 Wrench 6-1/2 in. across flats<sup>2, 6, 8, 10</sup>

16 151608 Wrench 9 in. across flats<sup>14</sup>

18 272599 Label top mount valve

**NOT SHOWN**

**Item No. Part No. Description**

154402 Tape ft. mounting<sup>1, 2, 3, 4, 5, 6, 7, 8, 9, 10</sup>

154407 Tape ft. mounting<sup>11A, 11B</sup>

155051 Sand Guide

152220 Spigot, 2 in. NPT sand drain TA100

154871 2 in. Drain O-ring

1: TA 30

2: TA 30D

3: TA 35

4: TA 35D

5: TA 40

6: TA 40D

7: TA 50

8: TA 50D

9: TA 60

10: TA 60D

11A: TA 100

11B: TA 100D

12: Item 3A O-ring, standpipe is used on model TA100D Filters only. Item 3B O-ring, standpipe is used on Tagelus Filter models TA30, 40, 50, 60, manufactured before April, 1993 Item 3B is not used on Tagelus Clamp Filter models TA30D, 35D, 40D, 50D, 60D or on any Tagelus models manufactured after April, 1993

13: Tagelus Clamp Filter models tank & ft. assembly have valve adptr., Item 6 factory installed.

14: Replacement of tank ft. requires the use of mounting tape. See part number listed.

15: Lubricate O-ring liberally w/silicone lubricant and tighten to following spec: TA30D, 35D, 40D, 50D, 60D. Handtight plus 1/4 turn min. TA100 D Handtight plus 3/4 turn min.

16: Tagelus Filter models TA30, 35, 40, 50, 60 manufactured after Nov. 1, 1991 were manufactured w/a btr. thread top opening and utilize a btr. style valve which is black in color. A change was made to the port arrangement in April, 1993 which will require that minor changes be made to the valve plumbing connections when replacing valves on filters manufactured between Nov. 1991 and Mar. 1993. DO NOT ATTEMPT TO INTERCHANGE THREAD TYPES.

17: Tagelus Filter models TA30, 40, 50, 60 manufactured before Nov. 1, 1991 were manufactured w/a "V in. thread style valve that is white or brown in color. These valves may be replaced only w/"V in. thread style valve P/N 261124, see Detail B. DO NOT ATTEMPT TO INTERCHANGE THREAD TYPES.

18: Tagelus Clamp Filter models TA30D, 35D, 40D, 50D, 60D manufactured after Nov. 1, 1991 were manufactured w/a btr. thread top opening and utilize a btr. thread valve adptr. P/N 154555, see Detail A. DO NOT ATTEMPT TO INTERCHANGE THREAD TYPES.

19: Tagelus Clamp Filter models TA30D, 40D, 50D, 60D manufactured before Nov. 1, 1991 were manufactured w/a "V in. thread top opening and utilize a "V in. thread valve adptr. P/N 155225, see Detail B. DO NOT ATTEMPT TO INTERCHANGE THREAD TYPES.

20: TA60D Filters mfg after 6/07 have new 1/4 turn laterals