



Booster Pump 300

»»» For Pressure Cleaners

TEFC MOTOR FOR PERFORMANCE
YOU CAN RELY ON

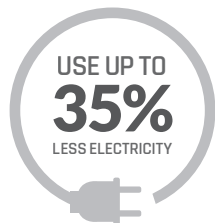


EXPERT LINE

✓ PREMIUM PRODUCTS

✓ NOT SOLD ONLINE

✓ EXTENDED WARRANTIES



Engineered to provide the same quiet operation and reduced electricity requirements as our standard Booster Pump, the Booster Pump 300 also comes with a totally enclosed fan-cooled (TEFC) motor and a 2-year extended warranty for increased peace of mind.



RELIABLY QUIET, LOW-COST OPERATION

With the ability to lower your pressure cleaner-related electricity costs by as much as 35%, the Booster Pump 300 is as efficient as it is quiet. A reliable TEFC motor and a 2-year extended warranty offer added peace of mind.



WORKS WELL ANYWHERE

The Booster Pump 300 is compatible with any pool cleaner that requires a booster pump. Its tall mounting base allows for increased motor ventilation and protection from flooding, and its volute can be re-oriented for horizontal discharge if needed.



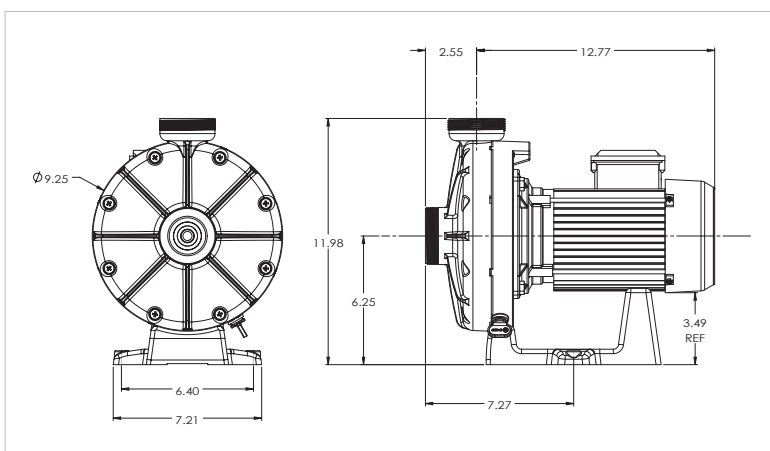
OUR EASIEST INSTALLATION YET

Packaged with a hose kit, the Booster Pump 300 has everything you need for effortless installation. Its 1½" union fittings, ¾" hose barb union adapters and flexible hose make retrofitting in existing pool pads easy, and top-access motor wiring simplifies service, too.

SPECIFICATIONS

MODEL NUMBER	TOTAL HP	RATED HP	VOLTAGE	HOSE KIT	WARRANTY
HSP30060	1.25	0.75	115/208-230	Included	2 years

BOOSTER PUMP DIMENSIONS (INCHES)



UNION ADAPTERS



HOSE BARB ADAPTERS



HOSE KIT

» hayward.com » 1-888-HAYWARD

Booster Pump 300 is listed by:



Pumps » Filters » Heaters » Cleaners » Sanitization » Automation » Lighting » Water Features » White Goods

Hayward, Hayward & Design and the H logo are registered trademarks of Hayward Industries, Inc. All other trademarks not owned by Hayward are the property of their respective owners. Hayward is not in any way affiliated with or endorsed by those third parties. © 2017 Hayward Industries, Inc.

LITBP30017

