

Maytronics Cycle Selector Remote Control
Télécommande - Sélecteur de cycle Maytronics
Telecomando per la selezione del ciclo Maytronics
Maytronics Selector de Ciclo por Control Remoto
Maytronics Zykluswahl-Fernbedienung
Maytronics Cyclus Selector Afstandsbediening
Maytronics Selector de Ciclo por Controle Remoto
Maytronics Дистанционный пульт управления для выбора
режима цикла



Maytronics Cycle Selector Remote Control	1 - 2
Télécommande - Sélecteur de cycle Maytronics	3 - 4
Telecomando per la selezione del ciclo Maytronics	5 - 6
Maytronics Selector de Ciclo por Control Remoto	7 - 8
Maytronics Zyklusauswahl-Fernbedienung	9 - 10
Maytronics Cyclus Selector Afstandsbediening	11 - 12
Maytronics Selector de Ciclo por Controle Remoto	13 - 14
Maytronics Дистанционный пульт управления для выбора режима цикла	15 - 16

Maytronics Cycle Selector Remote Control

The Remote Control Unit (RCU) offers two operation modes - Automatic mode and Manual direction mode. In Automatic cleaning mode, the fast or regular cleaning cycle can be selected. In Manual direction mode, the pool cleaner direction can be controlled manually.

The Control Panel of the Remote Control Unit

Radio reception meter -
If no black lines show you should move closer to the power supply unit

Battery level meter -
When the icon flashes, change the batteries

Regular cleaning cycle

Fast cleaning cycle

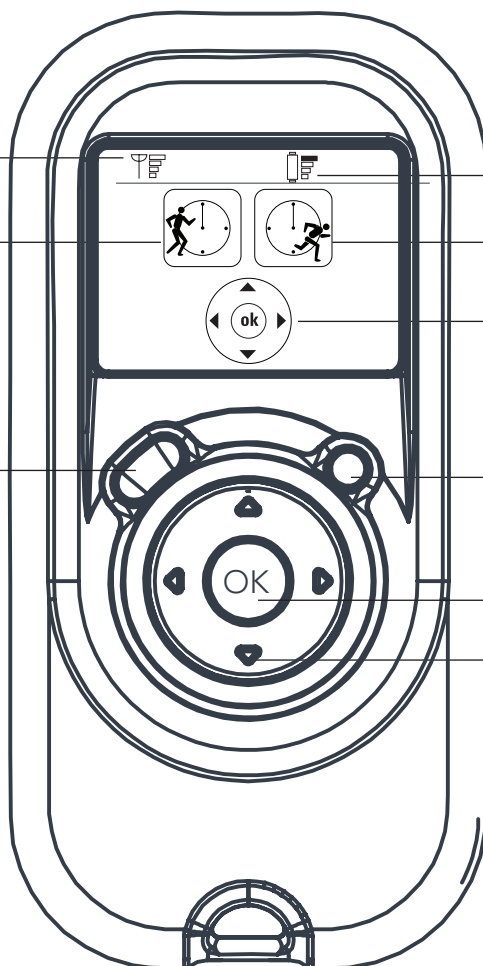
Manual control indicator

Manual/Automatic mode select button

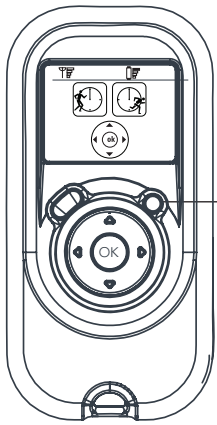
ON/OFF button

Set/OK button

Direction control arrows



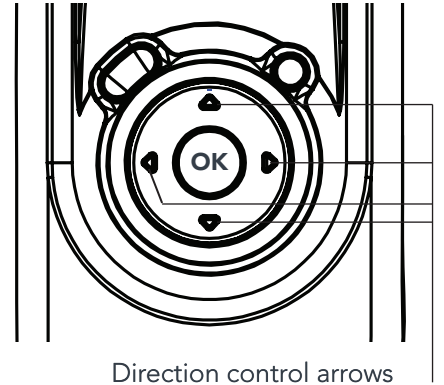
Manually controlling the direction of the Pool Cleaner



ON/OFF button

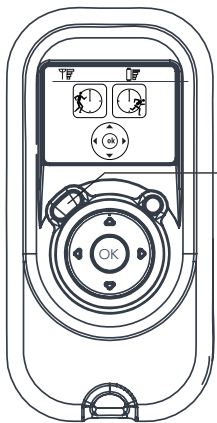
1. Press the ON/OFF button once -
The RCU will start-up in Manual direction control mode

2. To manually control the direction of the pool cleaner, utilise the Direction control arrows (see right)



Direction control arrows

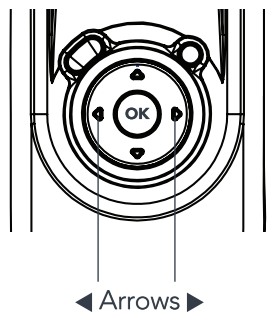
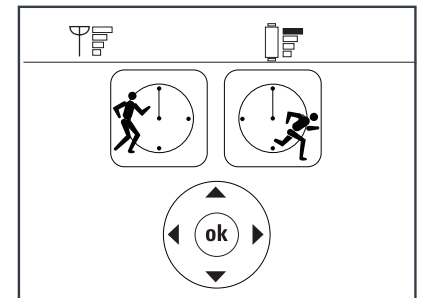
Exiting Manual Direction Control Mode and set the Automatic Mode



Manual/Automatic select button

To exit the Manual direction control mode press the Manual/Automatic Selection button ONCE only

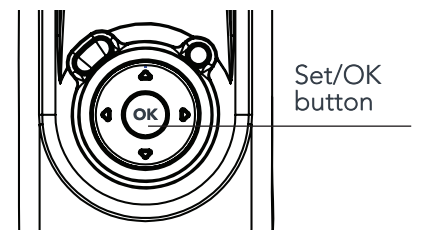
The Digital screen will light up and the two (regular/fast) icons will show up



Arrows

To choose regular or fast cleaning cycle use the right or left arrows.

When you reach the required function press the Set/OK button



Set/OK button

Note:

- When choosing the fast cleaning cycle the pool cleaner will not climb walls
- After 2 minutes, if no button is pressed the Remote Control Unit will shut-down and the Pool cleaner will continue to work as started