

FLOPRO
SINGLE-AND TWO-SPEED PUMPS



Jandy[®]

**COMPACT, VERSATILE,
POWERFUL**



FLOPRO[™]
SINGLE- AND TWO-SPEED PUMPS

Compact, Versatile, Powerful

The Jandy® FloPro single- and two-speed pumps are designed with an innovative adjustable base, allowing for simple installation on new construction, or quick and easy replacement of existing pumps. With the FloPro, minimal plumbing adjustments are required, thereby enabling cost effective pump replacement.

- › Medium-head, high-flow pump in an ultra compact body. Excellent choice for tight equipment areas.
- › Adjustable base options allow for easy replacement of select Hayward®, Pentair®, Sta-Rite®, and Jandy pumps.
- › Ergonomic cam-lock lid with easy alignment indicators.
- › Equipped with 2" unions & 2" internal threads.
- › Quiet operation.

• Easy to Use

Innovative pump equipped with ergonomic cam-lock lid for easy alignment and strainer basket cleaning, handle brackets, and 2" pump unions.

• Energy and Cost Efficient

DOE compliant energy-efficient two-speed model provides uncompromising power to filter and recirculate pool and spa water while keeping costs down.

• Easy to Install

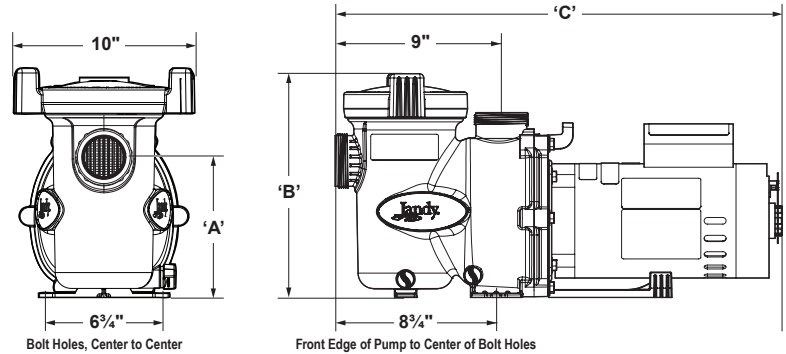
The included adjustable base, 2" unions and 2" threaded ports enable easy drop-in replacement of most existing pumps. FloPro makes it easy to replace popular pump models including Hayward® Super Pump® or Pentair® WhisperFlo® and SuperFlo® pumps.

BASE OPTIONS

Type of Base	Components	Fits
Option 1	No base required	Hayward® Super Pump®, Pentair® SuperFlo®, Sta-Rite® SuperMax®
Option 2	Small base	Hayward Super II™, Jandy PlusHP and Max HP
Option 3	Small base with spacers	Pentair WhisperFlo®, Sta-Rite Dyna-Glas™
Option 4**	Small base + large base	Sta-Rite Max-E-Pro®, Sta-Rite Dura-Glas®, Sta-Rite Dura-Glas II, Sta-Rite Max-E-Glas®

**Optional: Part # R0546400

DIMENSIONS



SPECIFICATIONS

Residential FloPro Pumps, DOE Compliant

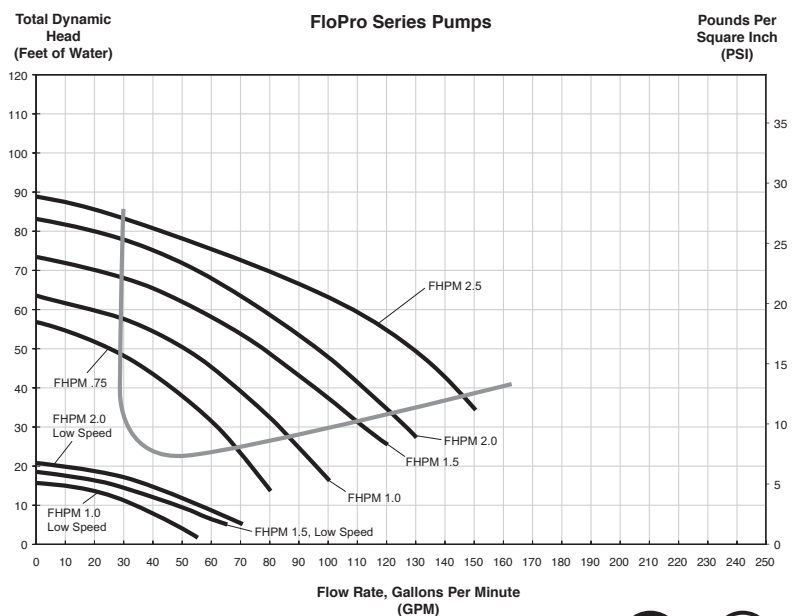
Model No.	THP	WEF	Voltage	Amps	Recommended Pipe Size	Carton weight	Overall Length 'A'
FHPM.75	0.95	4.1/4.3	230/115	5.4/10.8	1½-2"	40.6 lbs.	23¾"
FHPM1.0	1.24	3.5	230/115	7.1/14.2	2-2½"	41.2 lbs.	23¾"
FHPM1.0-2	1.14	5.6	230	7.1/2.3	2-2½"	46.5 lbs.	24¼"

Residential FloPro Pumps, Not DOE Compliant*

Model No.	THP	WEF	Voltage	Amps	Recommended Pipe Size	Carton weight	Overall Length 'A'
FHPM1.5	1.65	-	230/115	8.0/16	2-2½"	42.6 lbs.	23¾"
FHPM2.0	2.26	-	230/115	11.2/22.4	2-2½"	54.6 lbs.	25¾"
FHPM2.5	2.60	-	230	11.5	2½-3"	48.6 lbs.	24¾"
FHPM1.5-2	1.65	-	230	8.0/3.0	2½-3"	48.0 lbs.	24¾"
FHPM2.0-2	2.22	-	230	11.2/3.5	2½-3"	52.9 lbs.	24¾"

*Pumps not meeting DOE compliance standards will cease manufacturing on or before July 18, 2021. Specifications are being provided for historical reference.

PERFORMANCE



Jandy.com | 1.800.822.7933

©2021 Zodiac Pool Systems LLC. All rights reserved. ZODIAC® is a registered trademark of Zodiac International, S.A.S.U., used under license. All other trademarks are the property of their respective owners. 7352_SL

