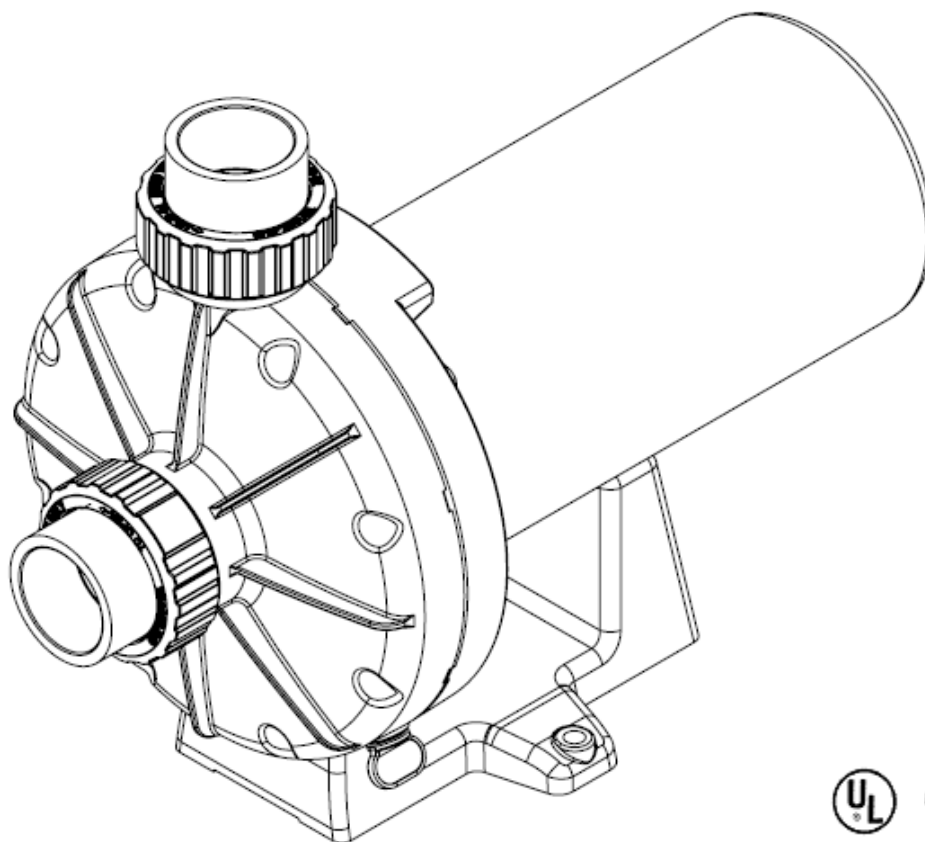


# HAYWARD®

## OWNER'S MANUAL INSTALLATION, OPERATION, & PARTS



### 6060 Booster Pump

The Hayward 6060 booster pump is specifically engineered for the demanding requirements of today's in-ground swimming pool cleaning systems. The 6060 booster pump includes an improved seal and impeller design that will provide many years of efficient, dependable, corrosion-free service. The advanced design provides superior performance while reducing maintenance requirements.

**NOTE** - To prevent potential injury and to avoid unnecessary service calls, read this manual carefully and completely.

### SAVE THIS INSTRUCTION MANUAL





**HAYWARD POOL PRODUCTS**  
620 DIVISION STREET ELIZABETH, NJ 07207 (908) 351-5400  
WWW.HAYWARDPOOL.COM


## IMPORTANT SAFETY INSTRUCTIONS

Before installing or servicing this electrical equipment, turn power supply OFF.

Basic safety precautions should always be followed, including the following: Failure to follow instructions may result in injury.


 This is the safety-alert symbol. When you see this symbol on your pump or in this manual, look for one of the following signal words and be alert to the potential for personal injury.

 **WARNING** warns about hazards that **could** cause serious personal injury, death or major property damage and if ignored presents a potential hazard.


 **CAUTION** warns about hazards that **will** or **can** cause minor or moderate personal injury and/or property damage and if ignored presents a potential hazard. It can also make consumers aware of actions that are unpredictable and unsafe.

The **NOTICE** label indicates special instructions that are important but not related to hazards.




 **WARNING** – Read and follow all instructions in this owner's manual and on the equipment. Failure to follow instructions can cause severe injury and/or death.


 **WARNING** – This product should be installed and serviced only by a qualified professional.


 **CAUTION** – All electrical wiring **MUST** be in conformance with all applicable local codes, regulations, and the National Electric Code (NEC).

**Use of non-Hayward replacement parts voids warranty.**

**ATTENTION INSTALLER – THIS MANUAL CONTAINS IMPORTANT INFORMATION ABOUT THE INSTALLATION, OPERATION, AND SAFE USE OF THIS PUMP THAT MUST BE FURNISHED TO THE END USER OF THIS PRODUCT. FAILURE TO READ AND FOLLOW ALL INSTRUCTIONS COULD RESULT IN SERIOUS INJURY.**

 **WARNING** – To reduce risk of injury, do not permit children to use or climb on this product. Closely supervise children at all times. Components such as the filtration system, pumps, and heaters must be positioned to prevent children from using them as a means of access to the pool.

 **CAUTION** – This pump is intended for use on permanently installed swimming pools and may also be used with hot tubs and spas if so marked. Do **NOT** use with storable pools. A permanently installed pool is constructed in or on the ground or in a building such that it cannot be readily disassembled for storage. A storable pool is constructed so that it is capable of being readily disassembled for storage and reassembled to its original integrity. Though this product is designed for outdoor use, it is strongly advised to protect the electrical components from the weather. Select a well-drained area, one that will not flood when it rains. It requires free circulation of air for cooling. Do not install in a damp or non-ventilated location. If installed within an outer enclosure or beneath the skirt of a hot tub or spa, adequate ventilation and free circulation of air must be provided to prevent overheating of the motor.

 **WARNING** – Pool and spa components have a finite life. All components should be inspected frequently and replaced at least every ten years, or if found to be damaged, broken, cracked, missing, or not securely attached.



**⚠ WARNING –Risk of Electric Shock.** All electrical wiring **MUST** be in conformance with all applicable local codes, regulations, and the National Electric Code (NEC). Hazardous voltage can shock, burn, and cause death or serious property damage. To reduce the risk of electric shock, do **NOT** use an extension cord to connect unit to electric supply. Provide a properly located electrical receptacle. Before working on pump or motor, turn off power supply to the pump.

**⚠ WARNING** – To reduce the risk of electric shock replace damaged wiring immediately. Locate conduit to prevent abuse from lawn mowers, hedge trimmers and other equipment.

**⚠ WARNING** – It is recommended to install a Ground Fault Circuit Interrupter (GFCI) in the circuit, however, all electrical wiring **MUST** be in conformance with all applicable local codes, regulations, and the National Electric Code (NEC).

**⚠ WARNING** – Failure to bond pump to pool structure will increase risk for electrocution and could result in injury or death. To reduce the risk of electric shock, see installation instructions and consult a professional electrician on how to bond pump. Also, contact a licensed electrician for information on local electrical codes for bonding requirements.

### Notes to the electrician:

Use a solid copper conductor, size 8 or larger. Run a continuous wire from external bonding lug to reinforcing rod or mesh. Connect a No. 8 AWG (8.4 mm<sup>2</sup>) solid copper bonding wire to the pressure wire connector provided on the motor housing and to all metal parts of swimming pool, spa, or hot tub, and to all electrical equipment, metal piping (except gas piping), and conduit within 5 ft. (1.5 m) of inside walls of swimming pool, spa, or hot tub. **IMPORTANT** - Reference NEC codes for all wiring standards including, but not limited to, grounding, bonding and other general wiring procedures.



### ⚠ WARNING – Suction Entrapment Hazard.

Suction in suction outlets and/or suction outlet covers which are damaged, broken, cracked, missing, or unsecured cause severe injury and/or death due to the following entrapment hazards:

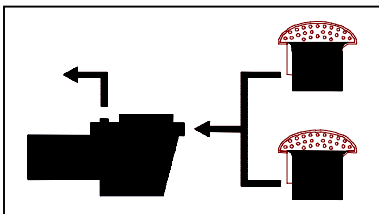
**Hair Entrapment-** Hair can become entangled in suction outlet cover.

**Limb Entrapment-** A limb inserted into an opening of a suction outlet sump or suction outlet cover that is damaged, broken, cracked, missing, or not securely attached can result in a mechanical bind or swelling of the limb.

**Body Suction Entrapment-** A differential pressure applied to a large portion of the body or limbs can result in an entrapment.

**Evisceration/ Disembowelment-** A negative pressure applied directly to the intestines through an unprotected suction outlet sump or suction outlet cover which is damaged, broken, cracked, missing, or unsecured can result in evisceration/disembowelment.

**Mechanical Entrapment-** There is potential for jewelry, swimsuits, hair decorations, fingers, toes, or knuckles to be caught in an opening of a suction outlet cover resulting in mechanical entrapment.



### ⚠ WARNING - To Reduce the risk of Entrapment Hazards:

- When outlets are small enough to be blocked by a person, a minimum of two functioning suction outlets per pump must be installed. Suction outlets in the same plane (i.e. floor or wall), must be installed a minimum of three feet (3') [0.91 meter] apart, as measured from near point to near point.

- Dual suction fittings shall be placed in such locations and distances to avoid “dual blockage” by a user.

- Dual suction fittings shall not be located on seating areas or on the backrest for such seating areas.

- The maximum system flow rate shall not exceed the values shown in the “Pipe Sizing Chart” found at the bottom of page 6 of this manual.

- Never use pool or spa if any suction outlet component is damaged, broken, cracked, missing, or not securely attached.

- Replace damaged, broken, cracked, missing, or not securely attached suction outlet components immediately.

- In addition to two or more suction outlets per pump installed in accordance with latest IAF (formerly NSPI) standards and CPSC guidelines, follow all national, state, and local codes applicable.

- Installation of a vacuum release or vent system, which relieves entrapping suction, is recommended.



**⚠️ WARNING – Hazardous Pressure.** Pool and spa water circulation systems operate under hazardous pressure during start-up, normal operation, and after pump shut-off. Stand clear of circulation system equipment during pump start-up. Failure to follow safety and operation instructions could result in violent separation of the pump components due to pressure in the system, which could cause property damage, severe personal injury, or death. Before servicing pool and spa water circulation system, all system and pump controls must be in off position and filter manual air relief valve must be in open position. Before starting system pump, all system valves must be set in a position to allow system water to return back to the pool. Do not change filter control valve position while system pump is running. Before starting system pump, fully open filter manual air relief valve. Do not close filter manual air relief valve until a steady stream of water (not air or air and water mix) is discharged from the valve. All suction and discharge valves **MUST** be **OPEN** when starting the circulation system. Failure to do so could result in severe personal injury and/or property damage. Always turn the booster pump off before handling the automatic pool cleaner, and before turning off the filtration system pump. Never operate the booster pump without an automatic pool cleaner connected. The booster pump supplies high pressure water to automatic pool cleaners. Never point any of the cleaner's high pressure water jets at any person or pets.



**⚠️ WARNING – Separation Hazard.** Failure to follow safety and operation instructions could result in violent separation of pump components. Before servicing pool and spa circulation system, all system and pump controls must be in off position and filter manual air relief valve must be in open position. Do not operate pool and spa circulation system if a system component is not assembled properly, damaged, or missing. Do not operate pool and spa circulation system unless filter manual air relief valve body is in locked position in filter upper body. All suction and discharge valves **MUST** be **OPEN** when starting the circulation system. Failure to do so could result in severe personal injury and/or property damage.

**⚠️ WARNING** – This pump is not designed to be pressure tested. However, the remainder of the circulation system shall not be tested or operated at any higher pressure than 50 psi.

**⚠️ WARNING** – **Fire and burn hazard.** Motors operate at high temperatures and if they are not properly isolated from any flammable structures or foreign debris they can cause fires, which may cause severe personal injury or death. It is also necessary to allow the motor to cool for at least 20 minutes prior to maintenance to minimize the risk for burns.

**⚠️ WARNING** – Failure to install according to defined instructions may result in severe personal injury or death.

## General Information

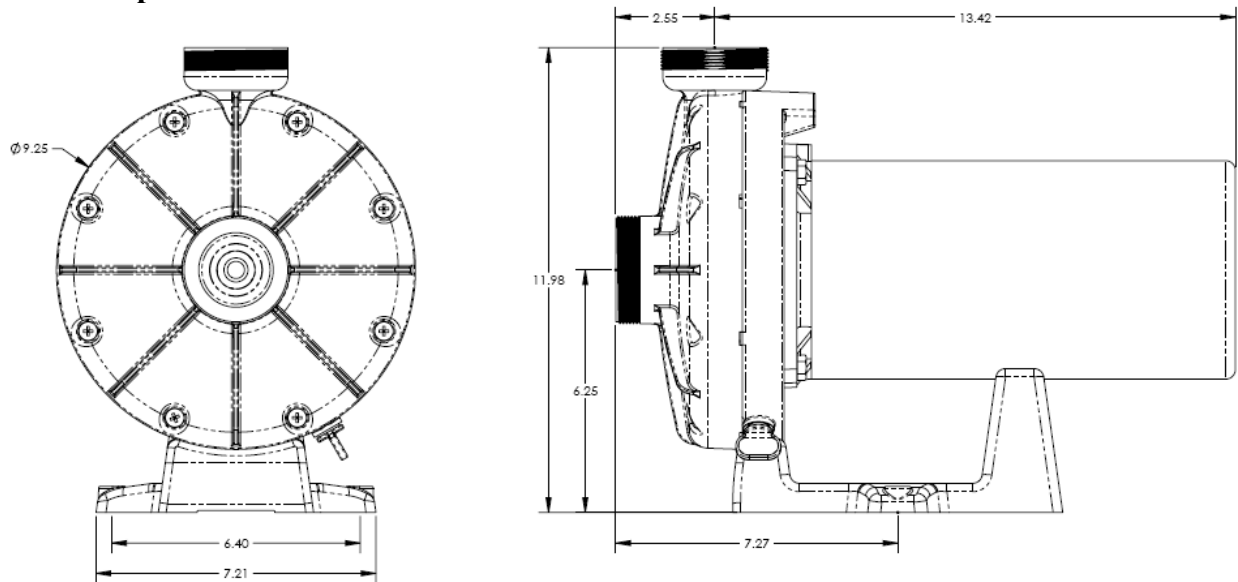
### Introduction

This manual contains information for the proper installation and operation of the Hayward 6060 booster pump. The instructions in this manual **MUST** be followed precisely. **Failure to install according to defined instructions will void warranty.**

### Product Benefits

- 1 1/2" plumbing union fittings improve performance and allow for easy installation and removal.
- 3/4" hose barb union adapters allow for easy retrofit to existing installations using optional flexible hose for booster pump connections.
- Pump is exceptionally quiet, and uses up to 40% less electricity than competitive booster pumps.
- Pump design allows for *easy* installation and service.
- Suitable for use with all pressure cleaners requiring a booster pump.
- Tall mounting base allows for increased motor ventilation as well as protection from flooding.
- Drain plug requires no tools for installation and removal.
- Volute may be re-oriented in the field for horizontal discharge.
- 1 year warranty.

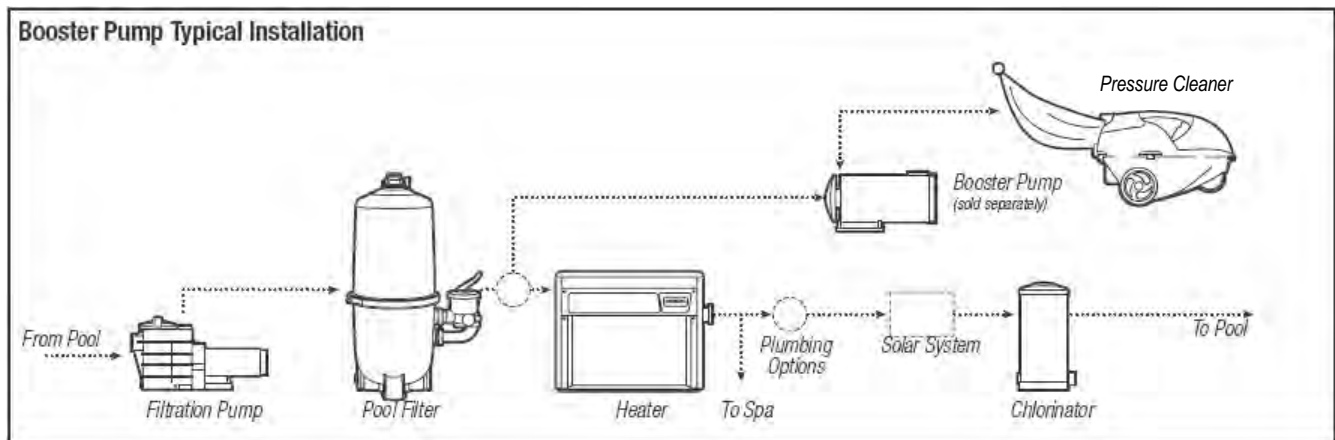
## Product Specifications



## Installation Instructions

**⚠ WARNING** – This product should be installed and serviced only by a qualified professional.

### Pump Location



Locate booster pump as shown in above diagram and run suction lines as direct as possible to reduce friction loss. Suction lines should have continuous slope upward from lowest point in line. Joints must be tight (but not over-tightened). Suction line diameter must equal or be larger than the discharge line diameter.

Though the pump is designed for outdoor use, it is strongly advised to place pump in the shade to shield it from continuous direct heat. Select a well-drained area that will not flood when it rains. **Do NOT install pump in a damp or non-ventilated location.** Keep motor clean. Pump motors require free circulation of air for cooling.

### Pump Mounting

Install pump on a level concrete slab or other rigid base to meet all local and national codes. Secure pump to base with screws or bolts to further reduce vibration and stress on pipe or hose joints. The base must be level, rigid, and vibration free.

#### Pump mount must:

- Allow pump inlet height to be as close to water level as possible.
- Allow use of short, direct suction pipe (to reduce friction losses) and gate valves in suction/discharge piping.
- Be protected from excess moisture and flooding, and allow adequate access for servicing pump and piping.



**⚠ WARNING – Hazardous Pressure.** Pumps, filters, and other equipment/ components of a swimming pool filtration system operate under pressure. Incorrectly installed filtration equipment and/or components may fail resulting in severe personal injury or death.

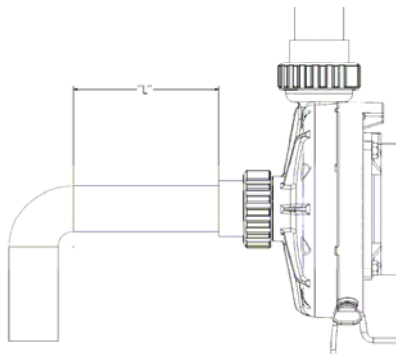
## Plumbing

It is recommended to use the supplied union fittings with 1-½” pipe for best performance. The 6060UB union hose barb fittings are included if you are using the booster pump to retrofit to an existing installation that uses flexible hose. The filtration system **must** supply a minimum of 8 gallons per minute (GPM) of water to the booster pump. **Do not** connect the booster pump inlet plumbing into the top of a horizontal pipe. If the booster pump is installed below the water level of the pool, a gate valve must be installed between the booster pump and the filtration system. The gate valve is a means to close off the water supply to the booster pump should it require maintenance.

Fittings restrict flow. For better efficiency, use the fewest possible fittings (but at least two suction outlets). Avoid fittings that could cause an air trap. Pool and spa fittings **MUST** conform to the International Association of Plumbing and Mechanical Officials (IAPMO) standards. Use a non-entrapping suction fitting in pool (multiple drains) or double suction (skimmer and main drain).

## Pipe Sizing Chart

MAXIMUM RECOMMENDED SYSTEM FLOW RATE BY PIPE SIZE								
Pipe Size [mm]	Flow Rate GPM [LPM]	Suction Pipe Length *	Pipe Size [mm]	Flow Rate GPM [LPM]	Suction Pipe Length *	Pipe Size [mm]	Flow Rate GPM [LPM]	Suction Pipe Length *
1” [32]	20 [75]	5”	1 ½” [50]	45 [170]	7 ½”	2 ½” [75]	110 [415]	12 ½”
1 ¼” [40]	30 [110]	6 ¼”	2” [63]	80 [300]	10”	3” [90]	160 [600]	15”



\* **NOTE** - It is recommended that a minimum length of straight piping (shown as “L” in diagram at left), equivalent to 5 pipe size diameters, be used between the pump suction inlet and any plumbing fittings (elbows, valves, etc.).

**⚠ CAUTION – Risk of equipment damage.** If the booster pump is connected downstream from a heater, the booster pump plumbing must be a **minimum** of three feet in length between the booster pump inlet and the heater. **Never** connect the booster pump inlet into the three-foot section of heat sink pipe coming directly out of the heater, as this could damage the booster pump and void it’s warranty. The booster pump must be installed so that it will always be in the water flow. If a solar heating system is used, a diverter valve or tee must be installed on the return line between the filter and solar heater. This assures an ample supply of water and minimizes the possibility of an air lock in the booster pump each time the solar panel is filled. Do not install the booster pump in a “non-flow” pipe when the solar heating system is on, unless an automatic override switch is wired in the system. The override switch will shut the booster pump off while the solar panels are being purged of air. If gate valves are installed between the booster pump and the filtration system, be sure these valves are open before operating the booster pump.

## Electrical



**⚠ WARNING** – All electrical wiring **MUST** be in conformance with all applicable local codes, regulations, and the National Electric Code (NEC). Ground and bond motor before connecting to electrical power supply. Failure to ground and bond pump motor can cause serious or fatal electrical shock hazard. Do **NOT** ground to a gas supply line. To avoid dangerous or fatal electrical shock, turn **OFF** power to motor before working on electrical connections. **Fire Hazard - match supply voltage to motor nameplate voltage.** Insure that the electrical supply available agrees with the motor's voltage, phase, and cycle, and that the wire size is adequate for the HP (kW) rating and distance from the power source. Use copper conductors only.

### Voltage

Voltage at motor **MUST NOT** be more than 10% above or below motor name plate rated voltage, or motor may overheat, causing overload tripping and reduced component life. If voltage is less than 90% or more than 110% of rated voltage when motor is running at full load, consult power company.

### Grounding And Bonding

Install, ground, bond, and wire motor in accordance with local or national electrical code requirements.

Permanently ground motor. Use green ground terminal provided under motor canopy or access place; use size and type wire required by code. Connect motor ground terminal to electrical service ground.

Bond motor to pool structure. Bonding will connect all metal parts within and around the pool with a continuous wire. Bonding reduces the risk of a current passing between bonded metal objects, which could potentially cause electrical shock if grounded or shorted. **Reference NEC codes for all wiring standards including, but not limited to, grounding, bonding and general wiring procedures.** Use a solid copper conductor, size 8 or larger. Run wire from external bonding lug to reinforcing rod or mesh. Connect a No. 8 AWG (8.4 mm<sup>2</sup>) solid copper bonding wire to the pressure wire connector provided on the motor housing and to all metal parts of swimming pool, spa, or hot tub, and to all electrical equipment, metal piping (except gas piping), and conduit within 5 ft. (1.5 m) of inside walls of swimming pool, spa, or hot tub.

### Wiring

**⚠ WARNING** – All electrical wiring **MUST** be in conformance with all applicable local codes, regulations, and the National Electric Code (NEC).

Pump **MUST** be permanently connected to circuit. If other lights or appliances are also on the same circuit, be sure to add their amp loads before calculating wire and circuit breaker sizes. Use the load circuit breaker as the Master On-Off switch.

### Time Clock

**⚠ CAUTION** – **Risk of equipment damage.** Never run the booster pump without the filtration system operating. Running the booster pump dry will damage the pump and void its warranty.

Installation of a separate time clock for the booster pump is recommended. Set timers so that the cleaner turns on at least one half hour after the filtration system starts, and turns off at least one half hour before the filtration system turns off. Time clocks for the filtration system and the booster pump must be coordinated at all times to insure proper sequence of the filtration system and cleaner operations. If the power to the time clocks is shut off or interrupted for any reason, the time clocks must be reset. A longer than normal cleaning cycle is recommended for the first 30 days of operation. If an automatic control system is used, please refer to the manufacturer's installation guide.

### Motor Specifications

Motor Total Horsepower	Motor Rated Horsepower	Motor Electric V/A		Wire Size / Breaker	
HP (kW)	HP (kW)	Voltage	Amps	AWG	Amps
1.25 (0.93)	0.75 (0.56)	208 - 230 / 115	6.9 – 6.8 / 13.3	14 / 12	10 / 20

## Start-Up & Operation

### Prior to Start-Up



**⚠ WARNING** — All suction and discharge valves **MUST** be **OPEN**, as well as filter manual air relief valve (if available) on filter, when starting the circulating pump system for the first time, or after servicing the system. Failure to do so could result in severe personal injury.

### Starting the Pump:

The filtration system pump must be running, and an automatic pool cleaner must be connected before starting the booster pump. If water leakage occurs from anywhere on the pump or filter, immediately turn off all system circulation pumps and all electrical power before repairing the leak. Do not return to the pump or filter until all water flow has stopped. If no leakage occurs, stand at least 10 feet from pump and/or filter and proceed with starting the pump.

**⚠ WARNING** — Return to filter to close filter manual air relief valve when a steady stream of water (not air or air and water mix) is discharged from valve. Failure to do so could result in severe personal injury.

**⚠ CAUTION — RISK OF EQUIPMENT DAMAGE.** Never operate the booster pump without water. Water acts as a coolant and lubricant for the mechanical shaft seal. NEVER run pump dry. Running pump dry may damage seals, causing leakage, flooding, and voids warranty. The filtration system pump must be running before the booster pump is started. It is extremely important for the booster pump to have an adequate water supply from the filtration system at all times. The booster pump is **not** self-priming. To ensure that there is an adequate water supply for the booster pump:

- open any valves at the inlet and outlet of the booster pump before operation.
- set all filtration system valves in a manner that does not deprive the booster pump of water during operation.
- do not operate the booster pump without a pressure cleaner connected to the system.
- set time clocks such that the booster pump only operates when the filtration system is on.
- clean filtration system regularly to prevent flow restrictions.

**⚠ CAUTION — RISK OF EQUIPMENT DAMAGE.** Do NOT add chemicals to pool/spa system directly in front of pump suction. Adding undiluted chemicals may damage pump and voids warranty.

If filtration system pump is to be turned off for any reason, then the booster pump must be turned off before turning off the filtration system pump.

**NOTE** - If the 6060 booster pump is used to replace the booster pump in an existing pressure cleaner installation, then the cleaner operating pressure should be reset according to the cleaner manufacturer's recommended procedure.



## Maintenance

- Hayward pumps have self-lubricating motor bearings and shaft seals. No lubrication is necessary.
- Keep motor clean. Insure motor air vents are free from obstruction to avoid damage. Do NOT use water to hose off motor.
- Occasionally, shaft seals must be replaced, due to wear or damage. Replace with genuine Hayward seal assembly kit. See “Shaft Seal Change Instructions” in this manual.

## Storage/Winterization



**⚠ WARNING – Separation Hazard.** Do not purge the system with compressed air. Purging the system with compressed air can cause components to explode, with risk of severe injury or death to anyone nearby. Use only a low pressure (below 5 PSI), high volume blower when air purging the pump, filter, or piping.

**⚠ ATTENTION** – Allowing the pump to freeze will void the warranty.

**⚠ ATTENTION** – Use ONLY propylene glycol as antifreeze in your pool/spa system. Propylene glycol is non-toxic and will not damage plastic system components; other anti-freezes are highly toxic and may damage plastic components in the system.

Drain all water from pump and piping when expecting freezing temperatures or when storing pump for a long time (see instructions below). Gravity drain system as far as possible.

Keep motor dry and covered during storage. To avoid condensation/corrosion problems, do NOT cover or wrap pump with plastic film or bags.

### Storing Pump For Winterization



**⚠ WARNING** – To avoid dangerous or fatal electrical shock hazard, turn OFF power to motor before draining pump. Failure to disconnect power may result in serious personal injury or death.

1. Turn booster pump off before turning off the filtration system pump.
2. Turn the filtration system pump off.
3. Remove drain plug from seal plate (see Parts Diagram on page 11 of this manual for pump component locations), and completely drain water from booster pump.
4. Winterize above and below ground piping in accordance with winterizing practices.
5. Refer to pressure cleaner owner’s guide for cleaner system winterizing practices.

## Shaft Seal Change Instructions

### IMPORTANT SAFETY INSTRUCTIONS PLEASE READ AND FOLLOW ALL INSTRUCTIONS

When servicing electrical equipment, basic safety precautions should always be observed including the following. Failure to follow instructions may result in severe personal injury or death.

- ⚠ WARNING** – To reduce risk of injury, do not permit children to use this product.
- Disconnect all electrical power service to pump before beginning shaft seal replacement.
- Only qualified personnel should attempt rotary seal replacement. Contact your local authorized Hayward Dealer or service center if you have any questions.

Exercise extreme care in handling both the rotating and the stationary sections of the two-part replacement seal. Foreign matter or improper handling will easily scratch the graphite and ceramic sealing surfaces.

## Shaft Seal Change Instructions (cont'd.)

**Removing the Motor Assembly** (See Parts Diagram on page 11 of this manual for pump component locations.)

1. Remove the eight (8) 1/4" x 1-1/4" self-tapping screws (item #1), which hold the volute (item #2) to the seal plate (item #7), using a Phillips head screwdriver.
2. Slide the motor assembly out of the volute (item #2), exposing the impeller (item #4).

**Removing the Impeller** (See Parts Diagram on page 11 of this manual for pump component locations.)

3. Remove the motor canopy by removing the two (2) screws and pulling the canopy away from the motor.
4. To prevent motor shaft from turning, carefully place a 7/16" open-end wrench over the two (2) flats on the end of the shaft.
5. Remove the impeller (item #4) by rotating counterclockwise.

**Removing the Ceramic Seat** (See Parts Diagram on page 11 of this manual for pump component locations.)

6. Remove the spring seal assembly (item #6) and seal plate (item #7) from the motor by removing the four (4) 3/8" x 1" bolts (item #11) that secure it to the motor, using a 9/16" wrench or socket.
7. Press the ceramic seat with rubber cup out of the seal plate (item #7). If tight, use a small screwdriver to tap seal out.  
**STOP** - Clean all recesses & parts to be reassembled. Inspect gaskets & replace if necessary.

**Seal Installation** (See Parts Diagram on page 11 of this manual for pump component locations.)

8. Clean and lightly lubricate the motor shaft and seal recesses in the seal plate (item #7) with a dilute solution of non-granulated liquid-type soap. Gently wipe the polished face of the ceramic seal with a soft cotton cloth. Lubricate the rubber cup on the ceramic seat and press it firmly into the recess of the seal plate (item #7), with the polished ceramic surface facing out.
9. Reassemble the motor to the seal plate (item #7) using the four (4) 3/8" x 1" bolts (item #11).
10. Gently wipe the black, polished surface of the spring seal assembly (item #6) with a soft cotton cloth.
11. Press the spring seal assembly (item #6) onto the motor shaft, with the black polished surface facing the ceramic seat.

**Replacing the Impeller and Diffuser** (See Parts Diagram on page 11 of this manual for pump component locations.)

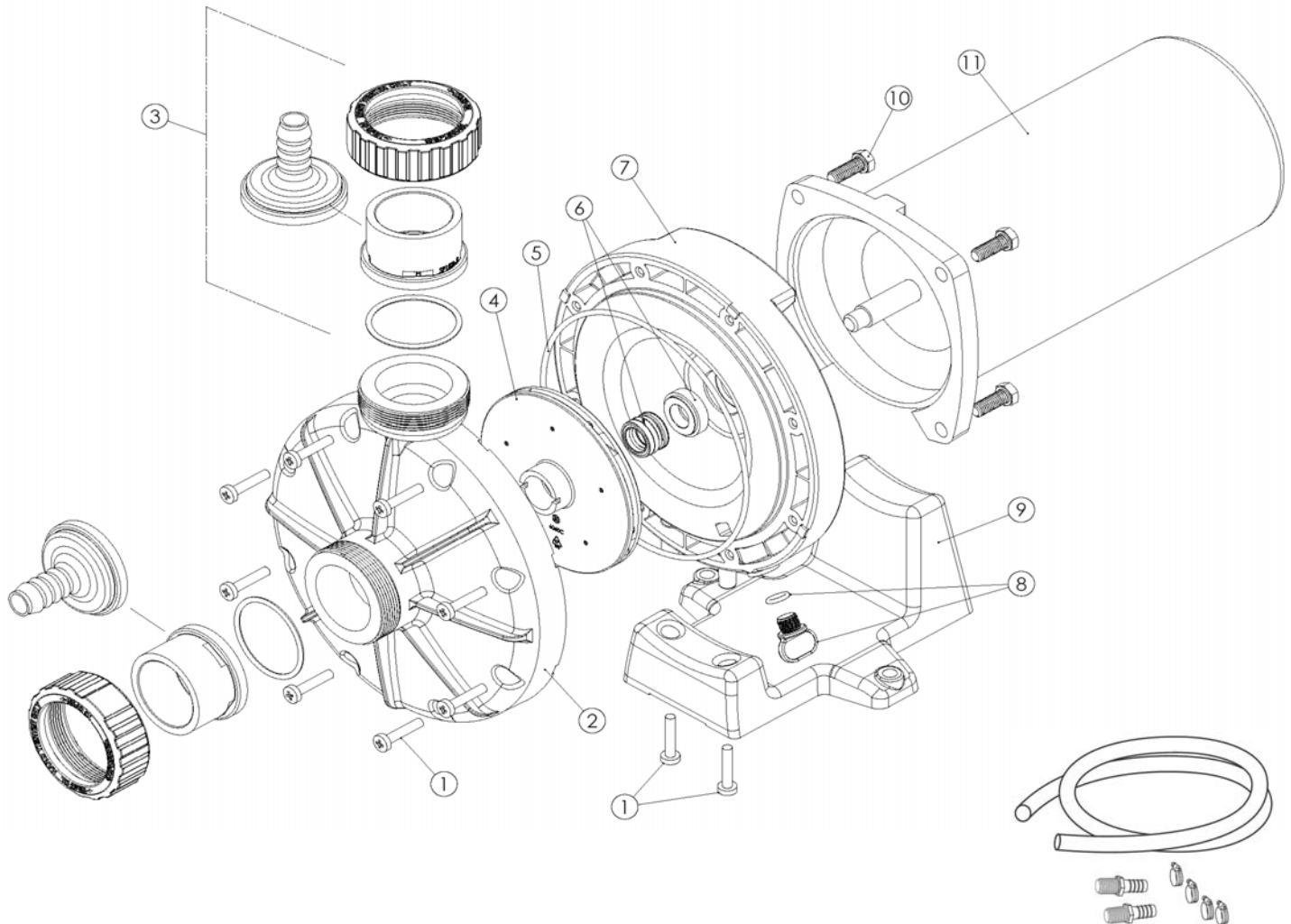
12. Screw the impeller (item #4) onto the motor shaft in a clockwise direction. Tighten snugly by holding motor shaft with wrench as noted in step #4.

**Replacing the Motor Assembly** (See Parts Diagram on page 11 of this manual for pump component locations.)

13. Re-attach motor canopy using the two (2) hex headed screws. Slide the motor assembly into pump volute (item #2).
14. Fasten motor assembly to pump volute (item #2) using the eight (8) 1/4" x 1-1/4" screws (item #1). (Be sure housing gasket (item #5) is in place, and lubricated. Replace if damaged). Using a torque wrench, tighten screws alternately and evenly to 70 inch-pounds.

## Replacement Parts

### Parts Diagram



Optional Hose Kit  
6060HKIT

### Parts Listing

Ref. No.	Part No.	Description	Ctn. Qty.
1	AX6060Z1	Screw, 1/4" Type B x 1-1/4" (set of 10)	10
2	AX6060A	Pump Volute	1
3	AX6060UNPAK	Union Connector Kit (incl. 2 ea. Union Hose Connector, Union Pipe Connector, Union Nut, and Union O-Ring)	5
4	AX6060C	Impeller Assembly	1
5	AX6060S	Seal Plate O-Ring	10
6	SPX2700SA	Shaft Seal Assembly	10
7	AX6060E	Seal Plate Assembly (incl. Drain Plug w/O-Ring)	1
8	SPX4000FG	Drain Plug w/O-Ring	10
9	AX6060G	Motor Support	1
10	SPX3200Z5	Motor Bolt	1
11	SPX2707Z1B	Motor, 3/4 HP, Square Flange	1
	6060HKIT	Hose Kit (incl. Hose, 2 Hose Fittings, and 4 Hose Clamps)	1

## Troubleshooting

### Motor Will NOT Start – Check For:

Make sure the terminal board connections agree with the wiring diagram on motor data plate label. Be sure motor is wired for available field supply voltage (see pump operating label).

1. Improper or loose wiring connections; open switches or relays; tripped circuit breakers, or blown fuses.  
**Solution:** Check all connections, circuit breakers, and fuses. Reset tripped breakers or replace blown fuses.
2. Manually check rotation of motor shaft for free movement and lack of obstruction.  
**Solution:** Refer to Steps 4 & 5 of “Shaft Seal Change Instructions” in this manual.
3. If you have a timer, be certain it is working properly. Bypass it if necessary.

### Motor Shuts OFF – Check For:

1. Low voltage at motor or power drop (frequently caused by undersized wiring or extension cord use).  
**Solution:** Contact qualified professional to check that the wiring gauge is heavy enough.

**NOTE:** Your Hayward pump motor is equipped with an “automatic thermal overload protector.” The motor will automatically shut off if power supply drops before heat damage can build up causing windings to burn out. The “thermal overload protector” will allow the motor to automatically restart once the motor has cooled. It will continue to cut On/Off until the problem is corrected. **Be sure to correct cause of overheating.**

### Motor Hums, But Does NOT Start – Check For:

1. Impeller jammed with debris.  
**Solution:** Have a qualified repair professional open the pump and remove the debris.

### Low Flow – Generally, Check For:

1. Clogged or restricted strainer or suction line.  
**Solution:** Contact a qualified repair professional.
2. Undersized pool piping.  
**Solution:** Correct piping size.
3. Plugged or restricted discharge line of filter, valve partially closed (high gauge reading).  
**Solution:** Sand filters – backwash as per manufacturer’s instructions; D.E. filters – backwash as per manufacturer’s instructions; Cartridge filters – clean or replace cartridge.
4. Air leak in suction (bubbles issuing from return fittings).  
**Solution:** Re-tighten suction and discharge connections using Teflon tape. Inspect other plumbing connections and tighten as required.
5. Plugged, restricted, or damaged impeller.  
**Solution:** Replace including new seal assembly.

### Noisy Pump – Check For:

1. Air leak in suction piping, cavitations caused by restricted or undersized suction line or leak at any joint, low water level in pool, and unrestricted discharge return lines.  
**Solution:** Correct suction condition or throttle return lines, if practical. Holding hand over return fitting will sometimes prove this point.
2. Vibration due to improper mounting, etc.  
**Solution:** Mount the pump on a level surface and secure the pump to the equipment pad.
3. Foreign matter in pump housing. Loose stones/debris hitting impeller could be cause.  
**Solution:** Clean the pump housing.
4. Motor bearings noisy from normal wear, rust, overheating, or concentration of chemicals causing seal damage which will allow chlorinated water to seep into bearings wiping out the grease causing bearing to whine.  
**Solution:** All leaking seals should be replaced at once.

**PRODUCT REGISTRATION**

(Retain For Your Records)

DATE OF INSTALLATION: \_\_\_\_\_

INITIAL PRESSURE GAUGE READING (CLEAN FILTER): \_\_\_\_\_

BOOSTER PUMP MODEL: 6060

HORSEPOWER: 0.75 FRHP (1.25 THP)

FILTER MODEL: \_\_\_\_\_

BOOSTER PUMP SERIAL NO.: \_\_\_\_\_

**THIS PAGE IS BLANK**

### HAYWARD® LIMITED WARRANTY

This pump was inspected before shipment from our plant. To original purchasers of this pump, Hayward Pool Products, 620 Division Street, Elizabeth, New Jersey, warrants its products free from defects in materials and workmanship for a period of **ONE (1)** year from the date of purchase.

Parts which fail or become defective during the warranty period, except as a result of freezing, negligence, improper installation, use, or care, shall be repaired or replaced, at our option, without charge, within 90 days of the receipt of defective product, barring unforeseen delays.

To obtain warranty replacements or repair, defective components or parts should be returned, transportation paid, to the place of purchase, or to the nearest authorized Hayward service center. For further Hayward dealer or service center information, contact Hayward customer service department. No returns may be made directly to the factory without the express written authorization of Hayward Pool Products.

To original purchasers of this pump, Hayward Pool Products warrants its pump housing/strainer to be free from defects in materials and workmanship for a period of **ONE (1)** year from the date of purchase.

Pump housing/strainers which become defective during the warranty period, except as a result of freezing, negligence, improper installation, use or care, or as the result of a use in association with an automatic valving system, shall be repaired, at our option, without charge.

All other conditions and terms of the standard warranty apply.

Hayward shall not be responsible for cartage, removal and/or reinstallation labor or any other such costs incurred in obtaining warranty replacements.

The Hayward Pool Products warranty does not apply to components manufactured by others. For such products, the warranty established by the respective manufacturer will apply.

Some states do not allow a limitation on how long an implied warranty lasts, or the exclusion or limitation of incidental or consequential damages, so the above limitation or exclusion may not apply to you.

This warranty gives you specific legal rights, and you may also have other rights, which vary from state to state.

Hayward Pool Products  
620 Division Street  
Elizabeth, NJ 07207

\*Supersedes all previous publications.

▲ Retain this Warranty Certificate (upper portion) in a safe and convenient location for your records.

▼ DETACH HERE: Fill out bottom portion completely and mail within 10 days of purchase/installation, OR REGISTER YOUR WARRANTY ONLINE AT [WWW.HAYWARDPOOL.COM](http://WWW.HAYWARDPOOL.COM).



Mail to: Hayward Pool Products, 620 Division Street, Elizabeth, NJ 07207, Attn: Warranty Dept.

# HAYWARD®

## Warranty Registration Card

Name: \_\_\_\_\_

Years pool has been in service  less than 1  1-3  3-5  5-10

Address: \_\_\_\_\_

Purchased from: \_\_\_\_\_

City: \_\_\_\_\_ State: \_\_\_\_\_ Zip: \_\_\_\_\_

Company name: \_\_\_\_\_

E-mail Address: \_\_\_\_\_

Address: \_\_\_\_\_

Product Model No.: 6060

City: \_\_\_\_\_ State: \_\_\_\_\_ Zip: \_\_\_\_\_

Product Serial No.: \_\_\_\_\_

Please send me more information on these other products from Hayward:

New Installation  Replacement

- Pump  Filter  Automatic Pool Cleaner  Light
- Chlorinator  Skimmer  Heater  Heat Pump
- Salt/Chlorine Generator  Controls

Type of In-Ground Pool:

Vinyl  Fiberglass  Gunite

Size of Pool (U.S. Gallons): \_\_\_\_\_

**THIS PAGE IS BLANK**