



SR Smith®



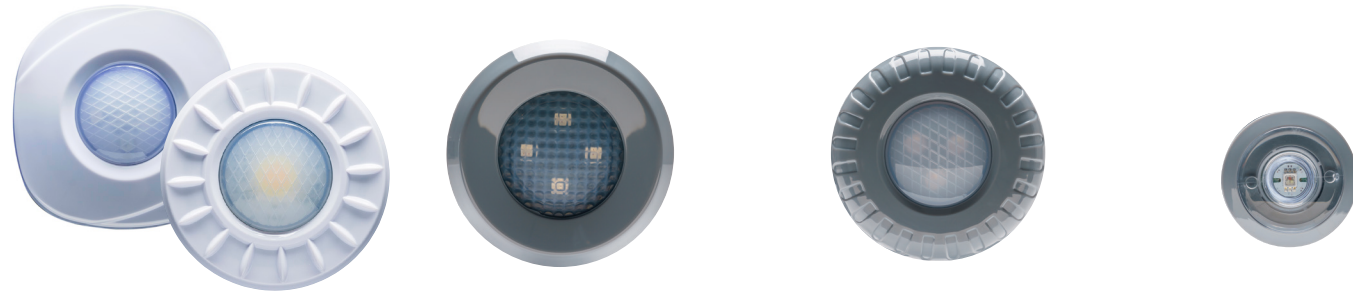
POOL
LIGHTING

Pool **Better**™

LED LIGHTS



Reliable LED technology, flexible performance and energy efficient designs.



Mod-Lite® and Mod-Lite® MultiWhite™

- Safe, submersible wireless power for pools and spas
- Low-profile wireless design
 - Mod-Lite RGB LED 7 Watt 12VAC light
 - Mod-Lite MultiWhite 9 Watt 12VAC light (3 Whites in 1 Light)
 - 80' or 150' cord length options

TREO™

- Serviceable return fitting light for pools, spas and water features
- Field-replaceable lamp
 - 5 Watt, 12VAC
 - RGB or White Only LED Light
 - 30', 50', 80' or 150' cord length options
 - Fiberglass pool model available (FG Series)

kēlo™

- Low-profile return fitting light for pools, spas and water features
- Low-profile design
 - 7 Watt, 12VAC
 - Color RGB LED Light
 - 80' or 150' cord length options

micro

- Accent light for water features, steps, and shelves
- Compact design
 - 2 Watt, 12VAC
 - RGB or White Only LED Light
 - 30', 50', 80' or 150' cord length options

FIBER OPTIC LIGHTING



Star Feature Kits

Transform the night with LED-illuminated Fiber Optic Lighting.

S.R.Smith offers two pre-configured Star Feature Kits in 25 or 50-points of light bundles that add amazing depth and richness to your pool designs.

TABLE OF CONTENTS

LED LIGHTS

Mod-Lite®4

Mod-Lite® MultiWhite™5

TREO® LED Light6

kēlo™ LED Light.....7

micro LED Light8

Fiberglass (FG) LED Light.....9

Lighting Configuration Guide 10

TRANSFORMERS/LIGHTING CONTROLS

poolLUX® Premier12

poolLUX® Plus2.....13

poolLUX® Plus.....14

poolLUX® Power15

PT6001 & PT6002.....16

ADVANCED APPLICATIONS

Fiber to LED Conversion Kits17

Star Feature Kits18

Specialized Applications 18

Trade Central.....20

TRANSFORMERS / LIGHTING CONTROLS



Lighting control power units designed for safety, durability and hassle-free performance.



Premier

- Custom Lighting Control Power Unit
- Integrated control switches
 - Wireless remote
 - 49 custom color options
 - 4 Dimming Levels (via Wireless Remote)
 - 70W (7W per channel)
 - Works exclusively with S.R.Smith Lights

Plus2

- Wireless Lighting Transformer
- Integrated control switch
 - Wireless remote
 - 60W or 100W options (Plus)
 - 1 or 2-zone control (Plus2)
 - 120W total- 60W per zone (Plus2)

Plus

Power

- Lighting Transformer
- Integrated control switch
 - 60W or 100W options

FIBER TO LED UPGRADES



PT-6001 & PT-6002

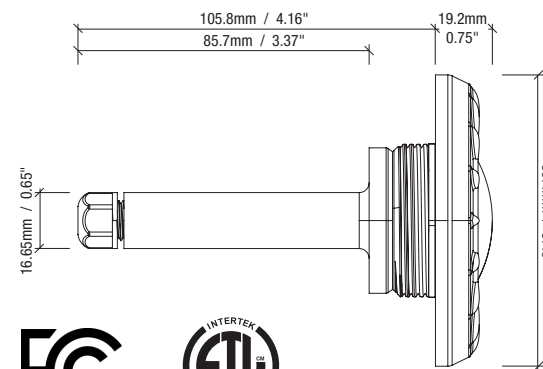
Re-light your pools – Convert fading fiber to vibrant LED with these newly updated models.

S.R.Smith offers a range of 1, 2, or 3 Mod-Lite, TREO, or kelo Light Kits for cost-effective, quick change-outs.

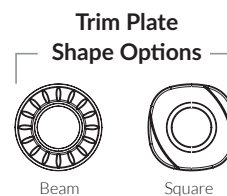
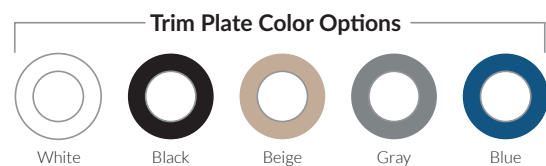
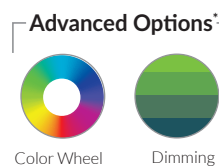
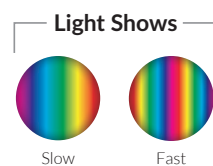
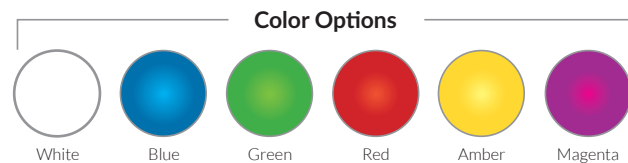
MOD-LITE[®] PowerPass[®] Wireless

Mod-Lite™ is an LED light that blends modular design with wireless power to deliver unmatched flexibility, convenience, safety and savings. PowerPass™ technology allows power to flow directly to the wireless LED lamp module, without a physical connection to power; making installation faster, safer and more efficient; plus replacement and winterization is a snap.

- 12VAC 7 Watt LED light for gunite, vinyl liner, and fiberglass pools and spas
- Low profile wireless lamp
- Designed for use with standard 1.5" wall fittings and conduit down to 0.75"
- Available in lengths of 80' or 150' as single units or in bulk packs
- No earth bonding required
- Color functions:
 - Advanced color functionality with poolLUX Premier: (49) color variations and 4 levels of dimming via wireless remote
 - 12V controls: (6) colors (white, blue, green, red, amber, magenta), and (2) light shows (fast/slow)
- (5) colored trim plates in (2) different shapes (square and round) for a total of (10) options for maximum customization
- Three year warranty
- ETL Listed – Conforms to UL676
- Certified to CSA C22.2 #89
- Compatible with all S.R.Smith lighting control power units



Model No.	Description
MLED-C-80	(1) Mod-Lite 7 Watt RGB LED Light, 80' Cord
MLED-C-80-PK10	(10) Mod-Lite 7 Watt RGB LED Lights, 80' Cord
MLED-C-150	(1) Mod-Lite 7 Watt RGB LED Light, 150' Cord
MLED-C-150-PK8	(8) Mod-Lite 7 Watt RGB LED Lights, 150' Cord
MLED-LM-C	Mod-Lite 7 Watt RGB LED Replacement Lamp



* Available With poolLUX Premier

MOD-LITE[®] MultiWhite™ PowerPass[®] Wireless

Finally. 3 Whites in 1 Light.

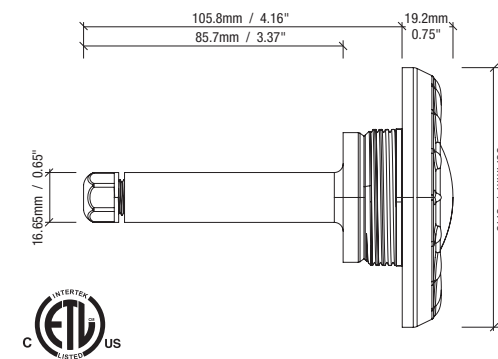
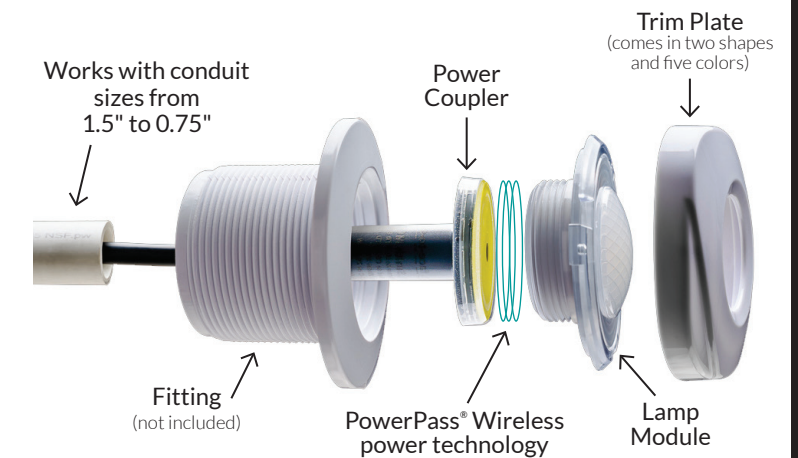
Mod-Lite® MultiWhite™ is the newest revolution in white LED lighting.

MultiWhite is a one-of-a-kind lighting product, as it is the ONLY light with three distinct shades of white in one physical light. Select between Cool White, Classic White and Warm White to create the ambiance or desired mood of your choice.

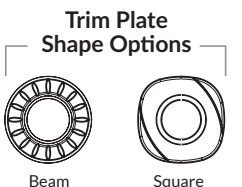
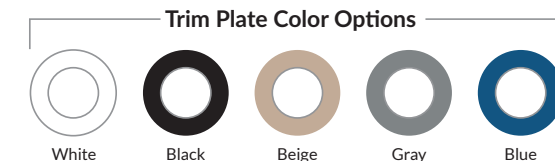
More Hues. Less SKUs!

Combo packs available with both MultiWhite and RGB lamp modules! Now you can easily change from white to RGB with a twist of the wrist.

- 3 whites in 1 light (Cool White, Classic White, Warm White)
- 12VAC 9W LED light for gunite, vinyl liner and fiberglass pools
- Newest addition to the innovative Mod-Lite family of PowerPass® Wireless Technology enabled LED lighting solutions
- Low profile wireless lamp
- Designed for use with standard 1.5" wall fittings and conduit down to 0.75"
- Available in length of 80' or 150', as single units or as a combo pack with RGB Mod-Lite lamp module
- (5) colored trim plates in (2) different shapes (square and round) for a total of (10) options for maximum customization
- 3-year warranty
- ETL Listed – Conforms to UL676, certified to CSA C22.2 #89



Model No.	Description
MLED-MW-80	(1) Mod-Lite 9W MultiWhite LED, 80' Cord
MLED-MW-150	(1) Mod-Lite 9W MultiWhite LED, 150' Cord
MLED-LM-MW	(1) Mod-Lite 9W MultiWhite LED Replacement Lamp Module
MLED-CMW-80	(1) Mod-Lite 7W RGB LED Light and (1) Mod-Lite 9W MultiWhite LED Lamp Module, 80' Cord
MLED-CMW-150	(1) Mod-Lite 7W RGB LED Light and (1) Mod-Lite 9W MultiWhite LED Lamp Module, 150' Cord



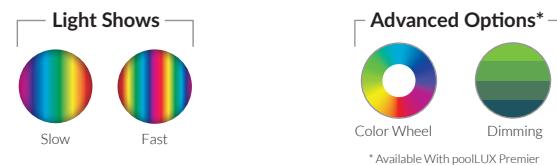
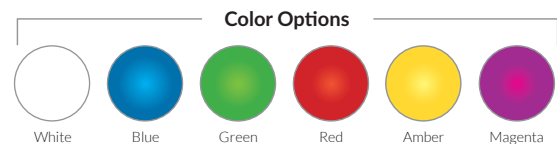
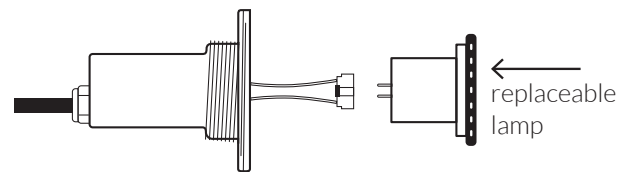
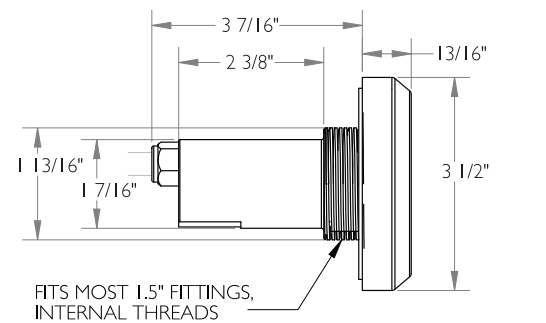
*Actual white shades will vary upon pool interior colors

Mod-Lite MultiWhite is not compatible with poolLUX Premier.

TREO[®] LED Light

The TREO is a 12VAC, 5 Watt LED underwater light for gunite, vinyl liner, and fiberglass pools with a replaceable LED lamp.

- Serviceable design – Replaceable LED lamp
- Designed for use with 1.5" diameter threaded wall fittings
- Available in lengths of 30', 50', 80', 150'
- No earth bonding required
- White or color changing LED models available
- Color functionality:
 - Advanced operation with poolLUX Premier – Up to (49) color variations and dimming control (via wireless remote)
 - 12VAC operation – (6) colors (white, blue, green, red, amber, magenta) and (2) light shows
- Color memory function
- Five colored trim rings included to match the surface of your pool
- Three year warranty
- ETL Listed – Conforms to UL676
- Certified to CSA C22.2 #89
- Compatible with all S.R.Smith lighting control power units

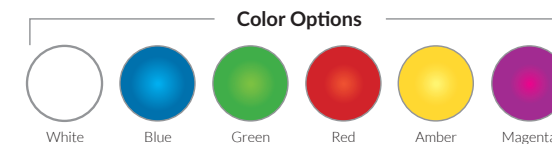
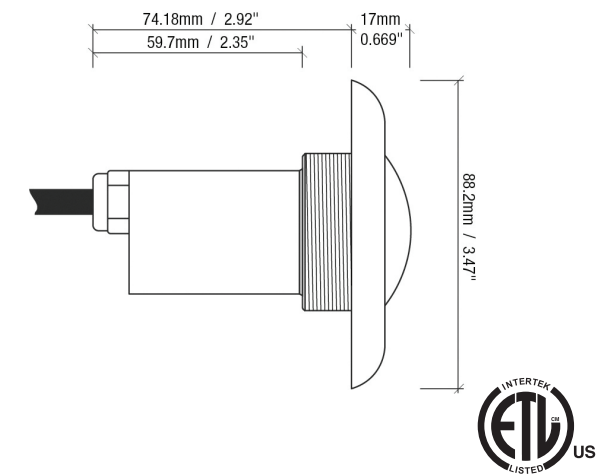


Model No.	Description
FLED-C-TR-30	(1) TREO 5 Watt RGB LED Light, 30' Cord
FLED-C-TR-50	(1) TREO 5 Watt RGB LED Light, 50' Cord
FLED-C-TR	(1) TREO 5 Watt RGB LED Light, 80' Cord
FLED-C-TR-PK8	(8) TREO 5 Watt RGB LED Lights, 80' Cord
FLED-C-TR-150	(1) TREO 5 Watt RGB LED Light, 150' Cord
FLED-C-TR-150-PK8	(8) TREO 5 Watt RGB LED Lights, 150' Cord
FLED-W-TR	(1) TREO 5 Watt White LED Light, 80' Cord
FLED-W-TR-150	(1) TREO 5 Watt White LED Light, 150' Cord
FLED-VK-TR	TREO Vinyl Adapter Kit
FLED-LAU-C	RGB Replacement Lamp
FLED-LAU-W	White Replacement Lamp

kēlo[™] LED Light

The kēlo is a 12VAC, 7 Watt LED underwater light for gunite, vinyl liner, and fiberglass pools.

- Low profile design
- Designed for use with 1.5" diameter threaded wall fittings
- Available in lengths of 30', 80', 150'
- No earth bonding required
- Color functionality:
 - Advanced operation with poolLUX Premier – Up to (49) color variations and dimming control (via wireless remote)
 - 12VAC operation – (6) colors (white, blue, green, red, amber, magenta) and (2) light shows
- Color LED with memory function
- Five colored trim rings included to match the surface of your pool
- Three year warranty
- ETL Listed – Conforms to UL676
- Certified to CSA C22.2 #89
- Compatible with all S.R.Smith lighting control power units

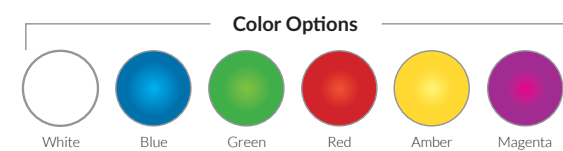
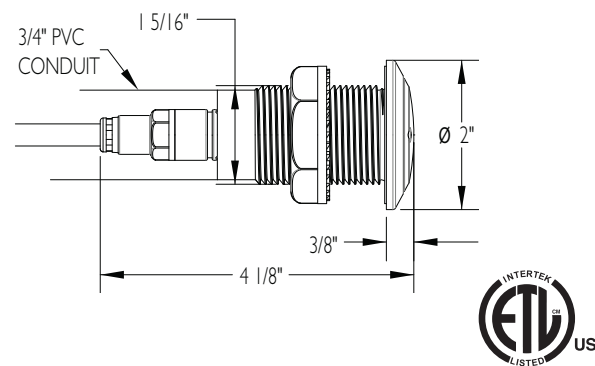


Model No.	Description
KLED-C-30	(1) kēlo 7 Watt RGB LED Light, 30' Cord
KLED-C-80	(1) kēlo 7 Watt RGB LED Light, 80' Cord
KLED-C-80-PK8	(8) kēlo 7 Watt RGB LED Lights, 80' Cord
KLED-C-150	(1) kēlo 7 Watt RGB LED Light, 150' Cord
KLED-C-150-PK8	(8) kēlo 7 Watt RGB LED Lights, 150' Cord

micro LED Light

The micro is 12VAC, 2 Watt LED underwater light designed for accent lighting applications for gunite, vinyl liner and fiberglass pools.

- Available in lengths of 30', 50', 80', 150'
- No earth bonding required
- White or color changing LED models available
- Color functionality:
 - Advanced operation with poolLUX Premier – Up to (49) color variations and dimming control (via wireless remote)
 - 12VAC operation – (6) colors (white, blue, green, red, amber, magenta) and (2) light shows
- Color memory function
- Five colored trim rings included to match the surface of your pool
- Designed for use with 0.75" diameter conduit – Includes wall fitting adapter
- Three year warranty
- ETL Listed – Conforms to UL676
- Certified to CSA C22.2 #89
- Compatible with all S.R.Smith lighting control power units

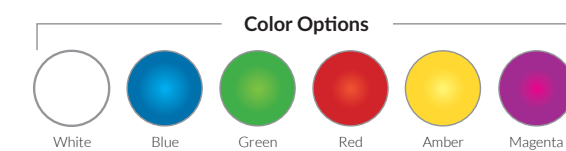
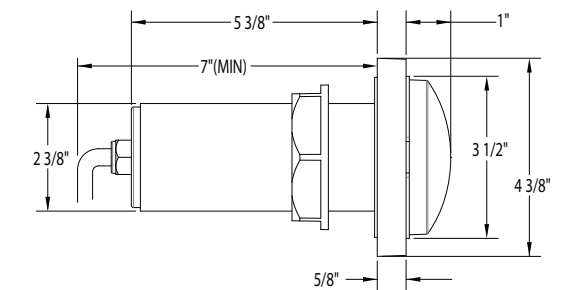


Model No.	Description
FLED-TM-C-30	(1) micro 2 Watt RGB LED Light, 30' Cord
FLED-TM-C-50	(1) micro 2 Watt RGB LED Light, 50' Cord
FLED-TM-C	(1) micro 2 Watt RGB LED Light, 80' Cord
FLED-TM-C-PK10	(10) micro 2 Watt RGB LED Lights, 80' Cord
FLED-TM-C-150	(1) micro 2 Watt RGB LED Light, 150' Cord
FLED-TM-W	(1) micro 2 Watt White LED Light, 80' Cord
FLED-TM-W-150	(1) micro 2 Watt White LED Light, 150' Cord
FLED-FA-TM	micro Fitting Adapter
FLED-FGGF-TM	micro Gunite Fitting, 3/4" PVC

Fiberglass (FG) LED Light

The FG is a 12VAC, 5 Watt LED underwater light for new construction fiberglass pools.

- Available in lengths of 30', 50', 80', 150'
- No earth bonding required
- White or color changing LED models available
- Color functionality:
 - Advanced operation with poolLUX Premier – Up to (49) color variations and dimming control (via wireless remote)
 - 12VAC operation – (6) colors (white, blue, green, red, amber, magenta) and (2) light shows
- Color memory function
- 0.75" or 0.5" conduit required
- Three year warranty
- ETL Listed – Conforms to UL676
- Certified to CSA C22.2 #89
- Compatible with all S.R.Smith lighting control power units



Model No.	Description
FLED-C-FG-30	(1) Fiberglass 5 Watt RGB LED Light, 30' Cord
FLED-C-FG-50	(1) Fiberglass 5 Watt RGB LED Light, 50' Cord
FLED-C-FG	(1) Fiberglass 5 Watt RGB LED Light, 80' Cord
FLED-C-FG-150	(1) Fiberglass 5 Watt RGB LED Light, 150' Cord
FLED-W-FG-30	(1) Fiberglass 5 Watt White Only Light, 30' Cord
FLED-W-FG-50	(1) Fiberglass 5 Watt White Only Light, 50' Cord
FLED-W-FG	(1) Fiberglass 5 Watt White Only Light, 80' Cord
FLED-W-FG-150	(1) Fiberglass 5 Watt White Only Light, 150' Cord
FLED-LAU-C	Fiberglass RGB Replacement Lamp
FLED-LAU-W	Fiberglass White Replacement Lamp
FLED-LC-FG	Clear Snap-On Cover

LIGHTING CONFIGURATION GUIDE

LIGHTING CONFIGURATION GUIDE

Combine S.R.Smith **lights** and **lighting controls** for maximum features and endless possibilities.

LIGHTS



Features	Mod-Lite®	Mod-Lite® MultiWhite	TREO®	kēlo™	micro
PowerPass™ Wireless Power Technology	✓	✓			
Compatible with poolLUX™ Power, Plus, Plus2 and Premier	✓	✓ (excludes Premier)	✓	✓	✓
Field replaceable lamp	✓	✓	✓		
Cord lengths available	80', 150'	80', 150'	30', 50', 80', 150'	30', 80', 150'	30', 50', 80', 150'
6 colors / 2 shows (via 12 VAC operation) Color RGB LED (white, blue, green, red, amber, and magenta)	✓	3 Whites in 1 Light	✓	✓	✓
49 color options & dimming levels with poolLUX™ Premier	✓	not compatible	✓	✓	✓
Accent lighting (water features, steps, shelves, bubblers, landscaping and more)					✓
ETL listed - Conforms to UL 676, certified to CSA C22.2 #89	✓	✓	✓	✓	✓
Power consumption	7W	9W	5W	7W	2W
Fits conduit down to 0.75"	✓	✓			
Warranty	3 Years	3 Years	3 Years	3 Years	3 Years
Pool Type	Fiberglass/Vinyl Liner/Gunite				
Pool Stage	New Construction, Renovation or Replacement/Repair				
Use Cases	Easiest to fit, install and maintain in any pool. Popular for Fiber to LED upgrades and LED small format lighting upgrades because of uniquely small neck (takes the guess work out of retrofitting).	The one-and-ONLY LED light with 3 whites in 1 light. Perfect for dark finished pools, under-lit pools or for complementing pool to surrounding landscape lighting.	Tried and true serviceable LED light.	Economical and bright LED light option for in-ground and on-ground pools.	Perfect accent light for spas, steps, water features, bubblers and landscaping.

LIGHTING CONTROLS & TRANSFORMERS



Configuration Options	Mod-Lite®	Mod-Lite® MultiWhite	TREO®	kēlo™	micro
poolLUX® PREMIER 70W on 10 - 7W circuits up to 49 color options, 2 shows and 4 dimming levels	up to 10 Lights (1 light per circuit)	not compatible	up to 10 Lights (1 light per circuit)	up to 10 Lights (1 light per circuit)	up to 30 Lights (up to 3 lights per circuit)
poolLUX® PLUS2 120W Transformer (Dual zone - 60W per zone)	up to 7 lights per zone 7 (x2 zones) = 14 lights	up to 6 lights per zone 6 (x2 zones) = 12 lights	11 lights per zone 11 (x2 zones) = 22 lights	up to 7 lights per zone 7 (x2 zones) = 14 lights	up to 27 lights per zone 27 (x2 zones) = 54 lights
poolLUX® PLUS and POWER 60W Transformers	up to 7 lights	up to 6 lights	up to 11 lights	up to 7 lights	up to 27 lights
poolLUX® PLUS and POWER 100W Transformers	up to 13 lights	up to 10 lights	up to 18 lights	up to 13 lights	up to 45 lights

poolLUX Kits include 2 or 3 Mod-lite, TREO, or kēlo LED lights; micro LED lights sold separately.
NOTE: Any combination of lights can be used as long as the combined total wattage of the lights does not exceed 90% of the controller's total capacity.



Take the guess work out of choosing which light will fit with this FREE Fit Gauge tool to measure depth and diameter of fitting and adjacent conduit. Scan here to get yours!



LIGHTING SOLUTIONS



MOD-LITE WITH POWERPASS™ WIRELESS TECHNOLOGY



FIBER-TO-LED TRANSFORMATION

Have questions? Our Lighting Specialists are here to help! Call 800-824-4387 or email us at lighting@srsmith.com

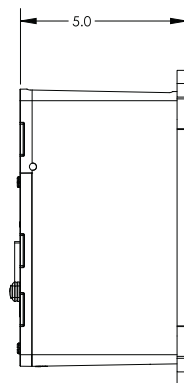
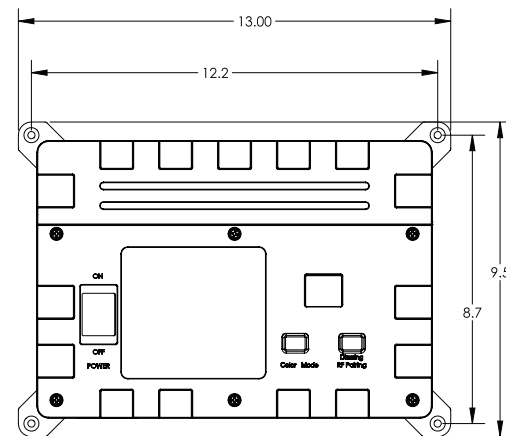
poolLUX® Premier

Custom Lighting System with Wireless Control

- Works exclusively with S.R.Smith LED lights (excluding the Mod-Lite® MultiWhite™ LED light)
- Extended range (100' line of sight) wireless remote with color selection wheel and dimming bar
- (6) standard colors and (2) shows via on/off power toggle
- Up to (49) color variations via color selection wheel
- Multiple brightness (dimming) options available
 - (4) via wireless remote dimming bar and (15) available via the control panel dimming button
- (10) wiring station system* with a built in 70W power supply (*7W max per station)
- Corrosion resistant (NEMA 3R), sound dampening housing
- (6) low-voltage and (2) line-voltage combination knockouts (3/4" or 1")
- ETL Listed - Conforms to UL 379 (Pool, Spa and Fountain Power Unit Standard)
- Certified to CSA C22.2#218.1
- Two year warranty



poolLUX
PREMIER



Model No.	Description
pLX-PRM	(1) poolLUX Premier Control System with Wireless Remote
poolLUX Premier Kits with Mod-Lite LED Lights	
2ML-pLX-PRM	(1) poolLUX Premier - (2) Mod-Lite 7 Watt RGB LED Lights, 80' cord
3ML-pLX-PRM	(1) poolLUX Premier - (3) Mod-Lite 7 Watt RGB LED Lights, 80' cord
poolLUX Premier Kits with TREO LED Lights	
2TR-pLX-PRM	(1) poolLUX Premier - (2) TREO 5 Watt RGB LED Lights, 80' cord
3TR-pLX-PRM	(1) poolLUX Premier - (3) TREO 5 Watt RGB LED Lights, 80' cord
poolLUX Premier Kits with kēlo LED Lights	
2KE-pLX-PRM	(1) poolLUX Premier - (2) kēlo 7 Watt RGB LED Lights, 80' cord
3KE-pLX-PRM	(1) poolLUX Premier - (3) kēlo 7 Watt RGB LED Lights, 80' cord

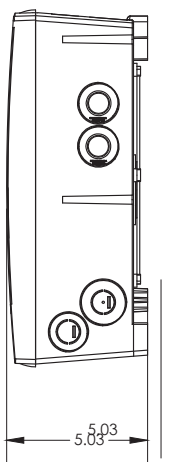
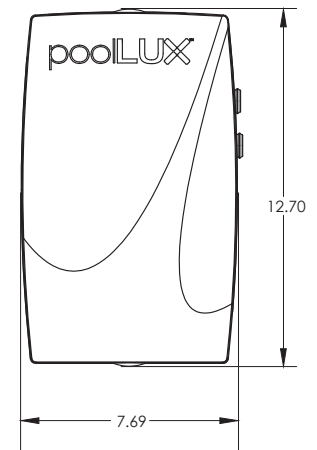
poolLUX® Plus2

Dual Zone transformer with wireless control

- (2) 60W low-voltage transformers
- Independent or synchronized control of each transformer
- External Illuminated control switches for each transformer
- Extended range (100' line of sight) wireless remote with one-touch color sync for S.R.Smith LED lights
 - S.R.Smith LED lights feature (6) colors and (2) shows
- Compatible with other 12VAC power toggle LED lights
- Oversized wiring space with convenient terminal strip connections
- Internal self-resetting thermal fuse to protect against overheating conditions
- Fast acting replaceable current fuse for safety enhancing short circuit protection
- Accessible low voltage 12VAC and 13VAC wiring terminals for standard or extended wiring runs
- Corrosion resistant (NEMA 3R) and sound dampening housing (quiet operation)
- (4) low-voltage and (4) line-voltage combination knockouts (3/4" or 1") plus (2) special use knockouts
- ETL Listed - Conforms to UL 379 (Pool, Spa and Fountain Power Unit Standard)
- Certified to CSA C22.2#218.1
- Two year warranty



poolLUX
PLUS2

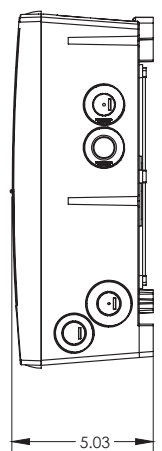
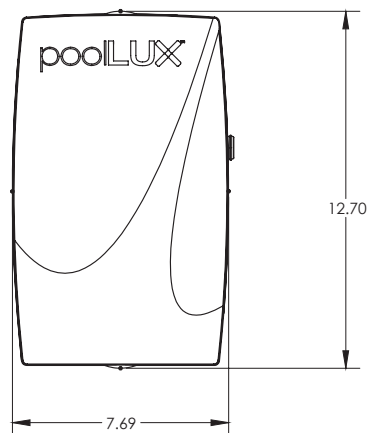


Model No.	Description
pLX-PL2	Dual-Zone; Two 60W Transformer with Wireless Remote Control. Total wattage: 120W
poolLUX Plus2 Kits with Mod-Lite LED Lights	
2ML-pLX-PL2	(1) poolLUX Plus2 - (2) Mod-Lite 7 Watt RGB LED Lights, 80' cord
3ML-pLX-PL2	(1) poolLUX Plus2 - (3) Mod-Lite 7 Watt RGB LED Lights, 80' cord
poolLUX Plus2 Kits with TREO LED Lights	
2TR-pLX-PL2	(1) poolLUX Plus2 - (2) TREO 5 Watt RGB LED Lights, 80' cord
3TR-pLX-PL2	(1) poolLUX Plus2 - (3) TREO 5 Watt RGB LED Lights, 80' cord
poolLUX Plus2 Kits with kēlo LED Lights	
2KE-pLX-PL2	(1) poolLUX Plus2 - (2) kēlo 7 Watt RGB LED Lights, 80' cord
3KE-pLX-PL2	(1) poolLUX Plus2 - (3) kēlo 7 Watt RGB LED Lights, 80' cord

poolLUX[®] Plus

Transformer system with wireless control

- 60W or 100W low-voltage transformer options
- External on/off control switch
- Extended range (100' line of sight) wireless remote with one-touch color sync for S.R.Smith LED lights
 - S.R.Smith LED lights feature (6) colors and (2) shows
- Compatible with other 12VAC power toggle LED lights
- Oversized wiring space with convenient terminal strip connections
- Internal self-resetting thermal fuse to protect against overheating conditions
- Fast acting replaceable current fuse for safety enhancing short circuit protection
- Accessible low voltage 12VAC and 13VAC wiring terminals for standard or extended wiring runs
- Corrosion resistant (NEMA 3R) and sound dampening housing (quiet operation)
- (4) low-voltage and (4) line-voltage combination knockouts (3/4" or 1") Plus (2) special use knockouts
- ETL Listed – Conforms to UL 379 (Pool, Spa and Fountain Power Unit Standard)
- Certified to CSA C22.2#218.1
- Two year warranty

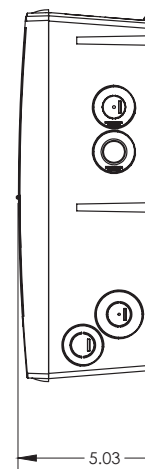
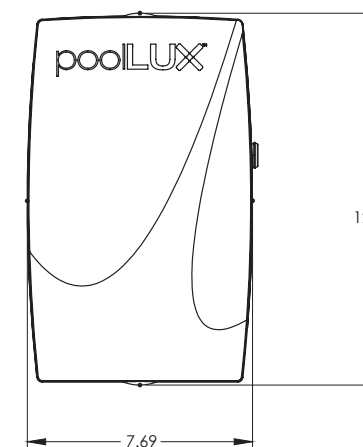


Model No.	Description
pLX-PL60	(1) poolLUX Plus 60 Watt Transformer with Wireless Remote
pLX-PL100	(1) poolLUX Plus 100 Watt Transformer with Wireless Remote
poolLUX Plus Kits with Mod-Lite LED Lights	
1ML-pLX-PL60	(1) poolLUX Plus 60 - (1) Mod-Lite 7 Watt RGB LED Light, 80' cord
2ML-pLX-PL60	(1) poolLUX Plus 60 - (2) Mod-Lite 7 Watt RGB LED Lights, 80' cord
3ML-pLX-PL60	(1) poolLUX Plus 60 - (3) Mod-Lite 7 Watt RGB LED Lights, 80' cord
2ML-pLX-PL100	(1) poolLUX Plus 100 - (2) Mod-Lite 7 Watt RGB LED Lights, 80' cord
3ML-pLX-PL100	(1) poolLUX Plus 100 - (3) Mod-Lite 7 Watt RGB LED Lights, 80' cord
poolLUX Plus Kits with TREO LED Lights	
2TR-pLX-PL60	(1) poolLUX Plus 60 - (2) TREO 5 Watt RGB LED Lights, 80' cord
3TR-pLX-PL60	(1) poolLUX Plus 60 - (3) TREO 5 Watt RGB LED Lights, 80' cord
2TR-pLX-PL100	(1) poolLUX Plus 100 - (2) TREO 5 Watt RGB LED Lights, 80' cord
3TR-pLX-PL100	(1) poolLUX Plus 100 - (3) TREO 5 Watt RGB LED Lights, 80' cord
poolLUX Plus Kits with këlo LED Lights	
2KE-pLX-PL60	(1) poolLUX Plus 60 - (2) këlo 7 Watt RGB LED Lights, 80' cord
3KE-pLX-PL60	(1) poolLUX Plus 60 - (3) këlo 7 Watt RGB LED Lights, 80' cord
2KE-pLX-PL100	(1) poolLUX Plus 100 - (2) këlo 7 Watt RGB LED Lights, 80' cord
3KE-pLX-PL100	(1) poolLUX Plus 100 - (3) këlo 7 Watt RGB LED Lights, 80' cord

poolLUX[®] Power

Low voltage transformer

- 60W or 100W low-voltage transformer options
- External on/off control switch
- Compatible with S.R.Smith LED lights and other 12VAC power toggle LED lights
 - S.R.Smith LED lights feature (6) colors and (2) shows
- Oversized wiring space with convenient terminal strip connections
- Internal self-resetting thermal fuse to protect against overheating conditions
- Fast acting replaceable current fuse for safety enhancing short circuit protection
- Accessible low-voltage 12VAC and 13VAC wiring terminals for standard or extended wiring runs
- Corrosion resistant (NEMA 3R) and sound dampening housing (quiet operation)
- (4) low-voltage and (4) line-voltage combination knockouts (3/4" or 1") Plus (2) special use knockouts
- ETL Listed – Conforms to UL 379 (Pool, Spa and Fountain Power Unit Standard)
- Certified to CSA C22.2#218.1
- Two year warranty



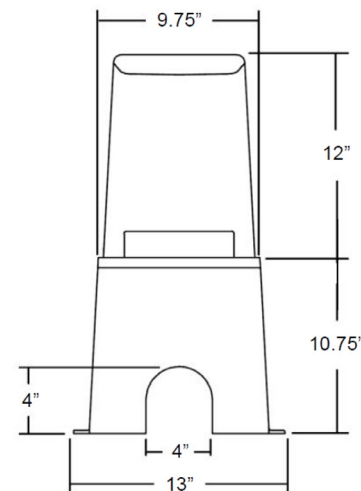
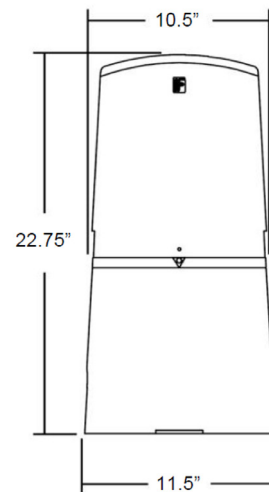
Model No.	Description
pLX-PW60	(1) poolLUX Power 60 Watt Transformer
pLX-PW100	(1) poolLUX Power 100 Watt Transformer
poolLUX Power Kits with Mod-Lite LED Lights	
1ML-PLX-PW60	(1) poolLUX Power 60 - (1) Mod-Lite 7 Watt RGB LED Light, 80' cord
2ML-pLX-PW60	(1) poolLUX Power 60 - (2) Mod-Lite 7 Watt RGB LED Lights, 80' cord
3ML-pLX-PW60	(1) poolLUX Power 60 - (3) Mod-Lite 7 Watt RGB LED Lights, 80' cord
2ML-pLX-PW100	(1) poolLUX Power 100 - (2) Mod-Lite 7 Watt RGB LED Lights, 80' cord
3ML-pLX-PW100	(1) poolLUX Power 100 - (3) Mod-Lite 7 Watt RGB LED Lights, 80' cord
poolLUX Power Kits with TREO LED Lights	
2TR-pLX-PW60	(1) poolLUX Power 60 - (2) TREO 5 Watt RGB LED Lights, 80' cord
3TR-pLX-PW60	(1) poolLUX Power 60 - (3) TREO 5 Watt RGB LED Lights, 80' cord
2TR-pLX-PW100	(1) poolLUX Power 100 - (2) TREO 5 Watt RGB LED Lights, 80' cord
3TR-pLX-PW100	(1) poolLUX Power 100 - (3) TREO 5 Watt RGB LED Lights, 80' cord
poolLUX Power Kits with këlo LED Lights	
2KE-pLX-PW60	(1) poolLUX Power 60 - (2) këlo 7 Watt RGB LED Lights, 80' cord
3KE-pLX-PW60	(1) poolLUX Power 60 - (3) këlo 7 Watt RGB LED Lights, 80' cord
2KE-pLX-PW100	(1) poolLUX Power 100 - (2) këlo 7 Watt RGB LED Lights, 80' cord
3KE-pLX-PW100	(1) poolLUX Power 100 - (3) këlo 7 Watt RGB LED Lights, 80' cord

Power Tower PT-6001 & PT-6002

Fiber to LED Conversion Kits

The new & improved PT-6001 & PT-6002 Fiber to LED conversion kits are an energy efficient, direct replacement for Fiberstars 6004/2004 fiber optic illuminators.

- Available as single 60 Watt, 1-circuit unit (PT-6001) or dual 60 Watt, 2-circuit unit (PT-6002) with sync or independent circuit control
- Both models include 12VAC and 13VAC output options and an auto-resetting thermal fuse for overloading and replaceable current fusing for enhanced water safety
- New screwless terminals for reliable, quick and easy connections in half the time (compared to original PT-6000) – no wire nuts required
- Wireless remote control with one-touch color sync for S.R.Smith LED lighting products
- Corrosion-resistant polycarbonate enclosure rated NEMA 3R
- ETL Listed – Conforms to UL 379
- Certified to CSA C22.2#218.1
- Two year warranty

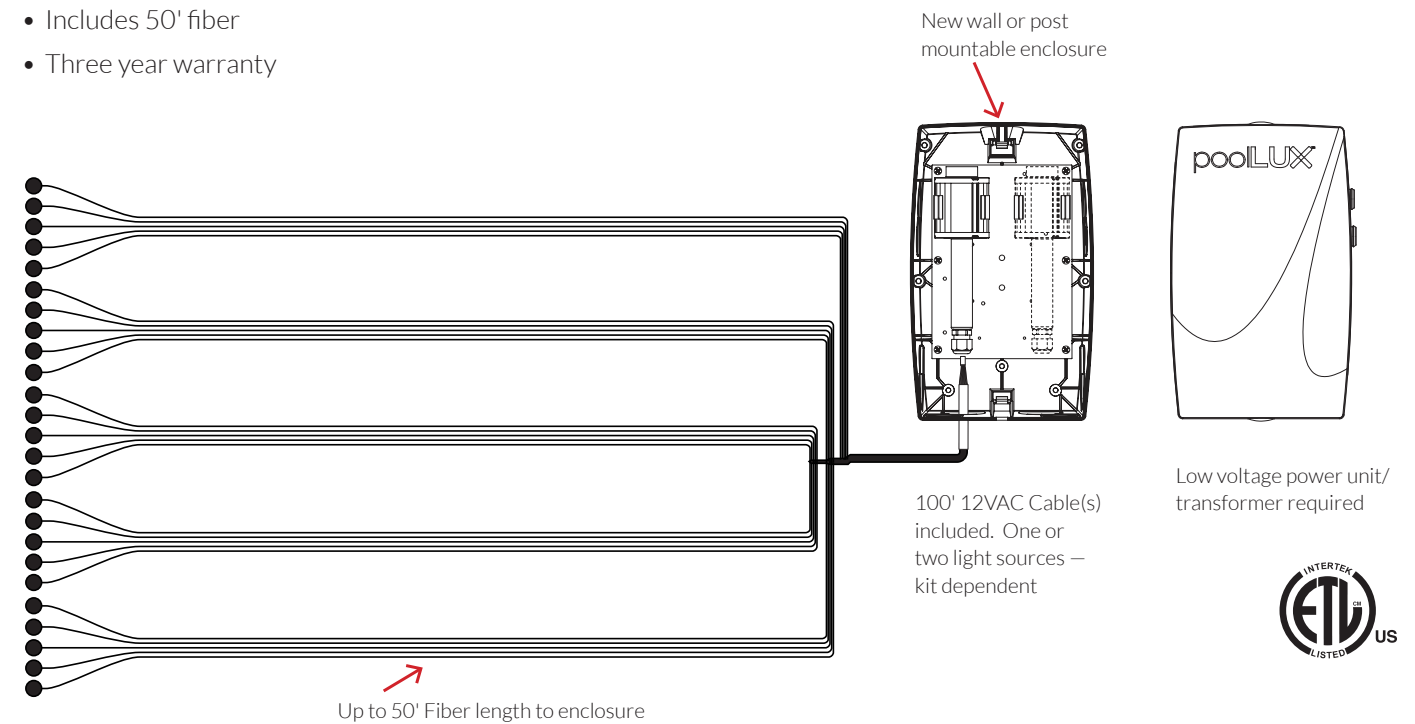


Model No.	Description
PT-6001	(1) PT-6001 Power 60W Transformer with Wireless Remote
PT-6002	(1) PT-6002 Dual Zone; Two 60W Transformers with Wireless Remote Control
PT-BASE	(1) PT-6000 Series Base
Power Tower Kits (base included) with Mod-Lite LED Lights	
1ML-PT-6001	(1) PT-6001 Kit - (1) Mod-Lite 7 Watt RGB LED Light, 80' cord
2ML-PT-6001	(1) PT-6001 Kit - (2) Mod-Lite 7 Watt RGB LED Lights, 80' cord
3ML-PT-6001	(1) PT-6001 Kit - (3) Mod-Lite 7 Watt RGB LED Lights, 80' cord
2ML-PT-6002	(1) PT-6002 Kit - (2) Mod-Lite 7 Watt RGB LED Lights, 80' cord
3ML-PT-6002	(1) PT-6002 Kit - (3) Mod-Lite 7 Watt RGB LED Lights, 80' cord
Power Tower Kits (base included) with TREO LED Lights	
1TR-PT-6001	(1) PT-6001 Kit - (1) TREO 5 Watt RGB LED Light, 80' cord
2TR-PT-6001	(1) PT-6001 Kit - (2) TREO 5 Watt RGB LED Lights, 80' cord
3TR-PT-6001	(1) PT-6001 Kit - (3) TREO 5 Watt RGB LED Lights, 80' cord
2TR-PT-6002	(1) PT-6002 Kit - (2) TREO 5 Watt RGB LED Lights, 80' cord
3TR-PT-6002	(1) PT-6002 Kit - (3) TREO 5 Watt RGB LED Lights, 80' cord
Power Tower Kits (base included) with kēlo LED Lights	
1KE-PT-6001	(1) PT-6001 Kit - (1) kēlo 7 Watt RGB LED Light, 80' cord
2KE-PT-6001	(1) PT-6001 Kit - (2) kēlo 7 Watt RGB LED Lights, 80' cord
3KE-PT-6001	(1) PT-6001 Kit - (3) kēlo 7 Watt RGB LED Lights, 80' cord
2KE-PT-6002	(1) PT-6002 Kit - (2) kēlo 7 Watt RGB LED Lights, 80' cord
3KE-PT-6002	(1) PT-6002 Kit - (3) kēlo 7 Watt RGB LED Lights, 80' cord

LED Star Feature Kits

The newly reconfigured LED Star Feature kits now include either a single or dual 12VAC, 5 watt LED light source with a 25- or 50-point fiber optic transmission system for gunite pools or other concrete based features such as patios, walk ways, bar tops, stone/paver walls, etc. These upgraded kits now come in a corrosion resistant, wall- or post-mounted, NEMA 3R enclosure and offer up to 50' fiber runs.

- 25 or 50 Star Points
- Advanced color functionality when powered by a poolLUX Premier control unit:
 - Up to (49) color variations and dimming control (via wireless remote)
 - 12VAC operation – (6) colors (white, blue, green, red, amber, magenta) and (2) light shows
- ETL Listed – Conforms to UL 2108
- Certified to CSA C22.2 #250
- Compatible with all S.R.Smith lighting transformers and control power units
- Memory function
- 100' of 12VAC cable
- Includes 50' fiber
- Three year warranty



Model No.	Description
CLSSF25-50	(1) Star Series RGB LED Light Kit - 25 Fiber Optic Star Points, 50' fiber cable
CLSSF50-50	(1) Star Series RGB LED Light Kit - 50 Fiber Optic Star Points, 50' fiber cable

Model No.	Suggested Compatible Transformers
pLX-PRM	(1) poolLUX Premier Control System with Wireless Remote
pLX-PL2	(1) poolLUX Plus2 Dual-Zone/Two 60W (Total 120W) Transformers with Wireless Remote
pLX-PL100	(1) poolLUX Plus 100W Transformer with Wireless Remote

Transform your pool and patio

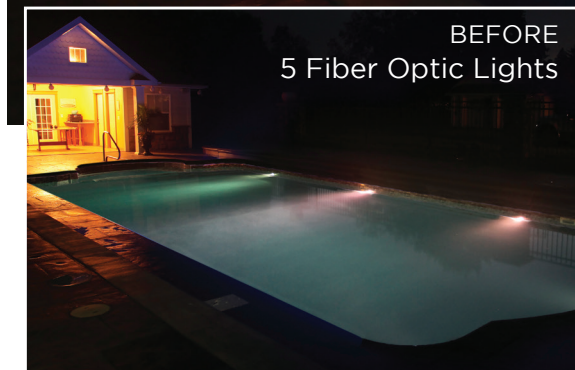
S.R.Smith's dedicated Lighting Specialists will work with you to make your pools stand out from the rest through planning, application support and product selection.



STAR FEATURE KITS are designed to bring awe-inspiring ambiance to any pool setting.

Stars can be placed inside or outside the pool to enhance the overall look and feel whether it's a patio (as shown below bottom left) or any other place you choose to add a custom lighting effect that blends the desired aesthetic of fiber optic with energy-efficient LED illumination.

FIBER TO LED TRANSFORMATION



BEFORE
5 Fiber Optic Lights

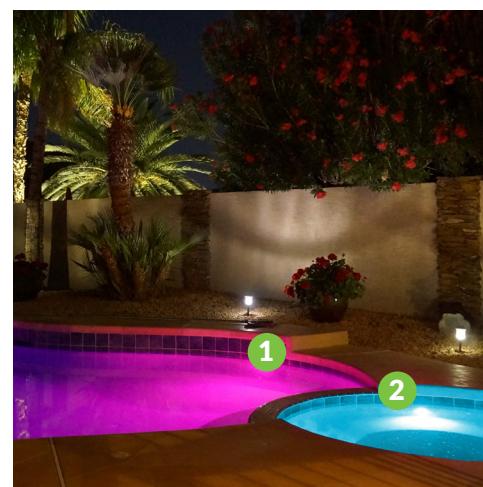
AFTER
3 LED Lights

Between the 1980's and early 2000's fiber optic lighting was commonly used in swimming pools. Over time, fiber can degrade, leaving pools looking dark, dull, and dated. S.R.Smith **Power Tower (PT-6001 & PT-6002) Fiber to LED Conversion Kits** give builders and service companies a solution to upgrade fading fiber to LED lighting using the existing fiber conduit.

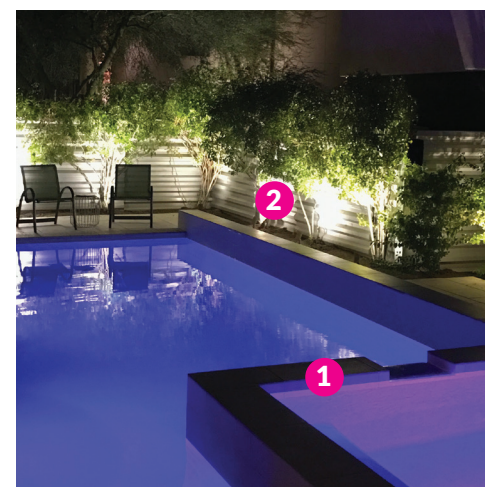
MORE FEATURES, MORE DURABILITY, MORE SPACE, MORE VALUE.



1 = 2 Mod-Lite™ Wireless Lights
2 = LED Star Feature Lights



1 = 2 Kelo LED Lights
2 = 1 Micro LED Light



1 = Pool/Spa
2 = Landscape Lights

Our **poolLUX Plus2** and **Power Tower PT-6002** provide dual-zone capabilities, designed for applications where 2 zones of lighting are desired.

TRADE CENTRAL

Trade Central is your one stop for S.R.Smith tools and resources designed for pool professionals.

MARKETING TOOLS

Find links to new products, order brochures, and update your business information on the dealer locator and much more. Opt-in to receive S.R.Smith communications, including Tech Tips and Pro Tips.

INSTALLATION RESOURCES

Configuration tools take the guess work out of selecting the right product for the pool. Whether installing a diving board, custom rail, pool lift or starting block, these tools make it simple to order the right product.

PRODUCT PROGRAMS

S.R.Smith offers a range of programs to help you grow your business.

- Learn how to help manage risk with the Peace of Mind Program
- Inspire Miles Program offers Builder Rewards on select S.R.Smith products
- Showcase S.R.Smith deck equipment on your display pool or showroom with the Display Program
- Give lighting products a test drive with the Lighting Test Drive Program
- The Whole New Light Program supports Fiber to LED lighting upgrades

EDUCATION

S.R.Smith also offers free training courses and certifications for pool professionals that are accessible at the click of a button at any time.



Scan this code or visit srsmith.com/tradecentral

MARKETING TOOLS

 NEW PRODUCTS Discover the Latest from S.R.Smith	 ORDER BROCHURES Order or Download Product Literature	 DEALER LOCATOR Update Your Information	 EMAIL SIGN-UP Sign Up for Email Communication
 SUBSCRIBE TO OUR CHANNEL Check out S.R.Smith Product Videos	 ASK A QUESTION Ask a Question	 ENTER TO WIN Enter to Win \$250 VISA® Gift Card	

INSTALLATION RESOURCES

 VINYL LINER JIG PLACEMENT CALCULATOR Calculate Your Jig Placement	 CUSTOM RAIL CONFIGURATOR Customize Your Rail Solution	 POOL LIFT CONFIGURATOR Find an ADA-Compliant Pool Lift	 STARTING BLOCK CONFIGURATOR Select the Right Starting Blocks
 PRE-CONFIGURED CUSTOM SLIDE ORDER FORM Order a Pre-Designed Landscape Slide	 BUILD YOUR OWN CUSTOM SLIDE ORDER FORM Order a Custom Slide	 RAIL UPGRADE Upgrade to Designer Rails	 ORDER FIT GAUGE Select the Best LED Lights For the Job

PRODUCT PROGRAMS

 INSPIRE MILES PROGRAM Take Advantage of Builder Rewards	 PEACE OF MIND PROGRAM Learn How to Help Manage Risk	 WHOLE NEW LIGHT PROGRAM Upgrade Fiber to LED Lighting	 DISPLAY PROGRAM Get Exclusive Display Pricing
 LIGHTING TEST DRIVE PROGRAM Give Lighting Products a Test Drive	 IFI/SRS DECK SLIDE MATRIX Find InterFab/S.R.Smith Deck Slide Equivalent	 WARRANTY CLAIM FORM Submit a Warranty Claim	 S.R.SMITH NEWS Stay Up To Date on the Latest S.R.Smith News

EDUCATION

 ACCESS ACADEMY Become a Pool Lift Specialist	 PRO TIPS Learn Education, Profit & Tech Tips for Your Business	 FIBER TO LED CONVERSION Step by Step Fiber to LED Conversion
--	--	--



S.R.Smith, LLC
800.824.4387 | srsmith.com

Copyright © 2021 S.R.Smith, LLC All rights reserved. M-E-BRO-629