

VS FloPro 2.7 HP
VARIABLE-SPEED PUMP



Jandy[®]

**MORE POWER.
MORE POSSIBILITIES.**



VS FLOPRO™
VARIABLE-SPEED PUMP

Built Small. Built Strong. Built Jandy®

With a 20% improvement in hydraulic performance¹, dual voltage capability, plus two auxiliary relays, the all new VS FloPro™ delivers more possibilities than ever before.

• Powerful Performance

The improved VS FloPro 2.7HP now generates higher head pressure and flow rates to accommodate large pool and spa designs with features such as waterfalls, jets, in-floor cleaning and solar heating systems.

• 115v/230v Dual Voltage Capability

The ability to operate with either 115v or 230v power sources provides installation flexibility and eliminates expensive main power rewiring, making the VS FloPro 2.7HP the ideal aftermarket replacement pump.

• Add iQPUMP01 for Instant Automation

Two auxiliary relays can be used to control other pool equipment, such as booster pumps and salt chlorinators, for easier installation and operation. No need for additional timeclocks!



• Lower Electricity Costs

Save over \$1,100² per year in energy costs! The variable-speed motor allows for dramatic energy savings and quieter operation.

• Choose Your Own Controller

Designed to work with the following Jandy control systems for complete programmability and customization (controller sold separately):

- › Jandy AquaLink® Automation Systems
- › iQPUMP01 with iAquaLink® App Control
- › JEP-R Controller

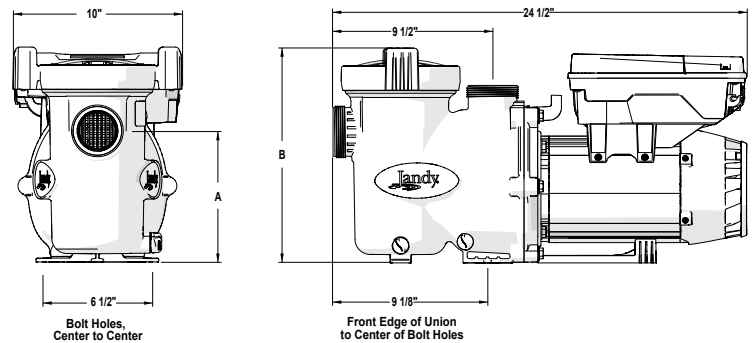
• Additional Features

- › Adjustable base for seamless direct replacement of a variety of other pumps in the aftermarket
- › Zero Clearance TEFC Motor for cool, quiet operation in tight spaces
- › 2" x 2" unions included or utilize 2" internal threads
- › Easy Controller Setup auto detects connection to an automation system or a traditional controller, eliminating the need to adjust settings manually
- › RS485 Quick Connect Port for faster installation and maintenance
- › Dry Contact Relay Control
- › Tool-free lid for easy debris removal
- › Ergonomic easy-transport handle

ADJUSTABLE BASE CONFIGURATIONS³

Base	Fits	'A' Dimension	'B' Dimension
No Base	Hayward® Super Pump®, Pentair® SuperFlo®, Sta-Rite® SuperMax®	7-3/4"	12-3/4"
Small Base	Hayward Super II™, Jandy PlusHP and MaxHP Pumps	8-7/8"	13-7/8"
Small Base w/ Spacers	Pentair WhisperFlo®, Sta-Rite Dyna-Glas™	9-1/8"	14-1/8"
Small Base + Large Base	Sta-Rite Max-E-Pro®, Sta-Rite Dura-Glas®, Sta-Rite Dura-Glas II, Sta-Rite Max-E-Glas®	10-3/4"	15-3/4"

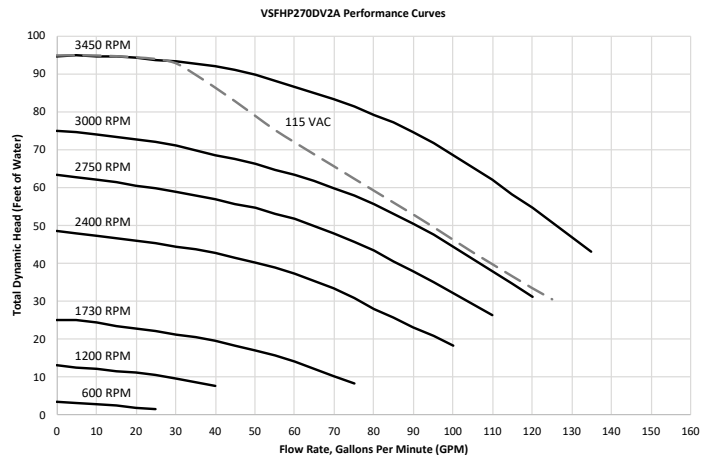
DIMENSIONS



SPECIFICATIONS

Model No.	THP	WEF ⁴	Voltage	Max Watts	Amps	Union Size	Rec. Pipe Size ⁵	Carton Weight	Overall Length
VSFHP270DV2A	2.70	7.3 8.7	230 VAC 115 VAC	2,550W 1,840W	10.5 16.0	2" x 2"	2" - 3"	53 lbs.	24 1/2"

PERFORMANCE



¹ Hydraulic Horsepower of VSFHP270DV2A model compared to VSFHP270AUT / VSFHP270JEP models as measured on system curve C at 3450 RPM.

² Based on a 28,000 gallon pool with two turnovers per day at an energy cost of \$0.195/kWh vs. comparable single speed pumps; when tested in accordance with the applicable requirements of 10 CFR 429.

³ Small base with spacers included with all FloPro pumps. Large base is optional part R0546400.

⁴ WEF = weighted energy factor in kcal/kWh. WEF is a performance-based metric adopted by the Department of Energy to characterize the energy performance of dedicated-purpose pool pumps. Department of Energy 10 CFR Parts 429 and 431.

⁵ Always follow local building and safety codes for pipe sizing and guidelines.

Jandy.com | 1.800.822.7933